

SPECIFICATION SHEET

COLLECTION: AXBRIDGE

PRODUCT CODE: BC-AXB-123TRRK-B-BRS



SHOWER TYPE

Shower Column

WITH SHOWER KIT

Yes

WITH AIR-INJECTION TECHNOLOGY

No

VALVE TYPE

Exposed

WITH CROSS-SPRAY TECHNOLOGY

No

WITH EASY-FIT BRACKETS

No

ADJUSTABLE FIXING FOR EASY RETRO FIT

No

WITH INTEGRATED DIVERTER

Yes

SHOWER HEAD SIZE

200mm (8") shower head

SPECIFICATION SHEET

COLLECTION: AXBRIDGE
PRODUCT CODE: BC-AXB-123TRRK-B-BRS

WITH THERMOSTATIC TECHNOLOGY

Yes

WITH WATER FLOW STRAIGHTENER

Yes

HANDLES

4 Handle

SPARE PARTS

thermostatic cartridge V-702-34S ceramic cartridge FL-511-LTC ceramic cartridge FL-511-RTC

STYLE

Traditional

MOUNTING

Wall Mounted

PLUMBING SYSTEM SUITABILITY

Pumped System, Combination Boiler, Pressurised System

COLLECTION NAME

Axbridge

FINISH

Brushed Brass/Black

MINIMUM OPERATING PRESSURE

1.0 Bar MP

MAXIMUM OPERATING PRESSURE

5.0 Bar HP

GUARANTEE

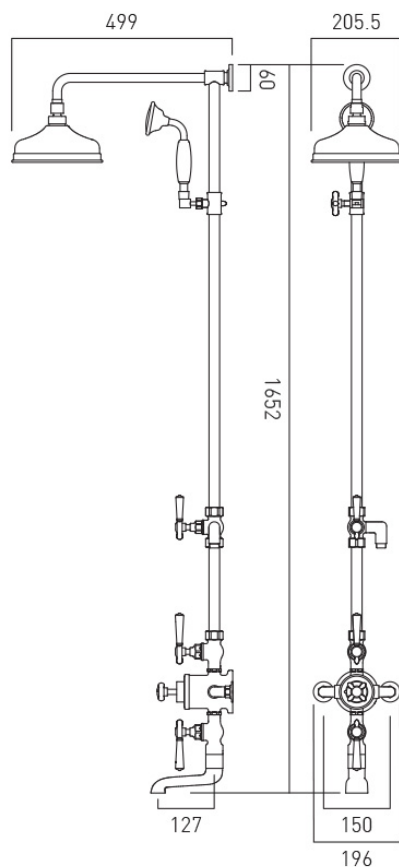
15 Year Guarantee



TECHNICAL DRAWING

COLLECTION: AXBRIDGE

PRODUCT CODE: BC-AXB-123TRRK-B-BRS



tel: 01934 744466
email: sales@vado.com
www.vado.com

WHERE INSPIRATION FLOWS
TAPS | SHOWERS | FURNITURE

