

SPECIFICATION SHEET

COLLECTION: FLUSH CISTERNS AND PLATES

PRODUCT CODE: IND-195-SQ-BRN



DESCRIPTION:

horizontal square dual flush trim kit
2 x pneumatic flush actuation controls
easy to use push-fit pneumatic hose connections
rectangle backplate

FINISH:

Brushed Nickel



tel: 01934 744466
email: sales@vado.com
www.vado.com

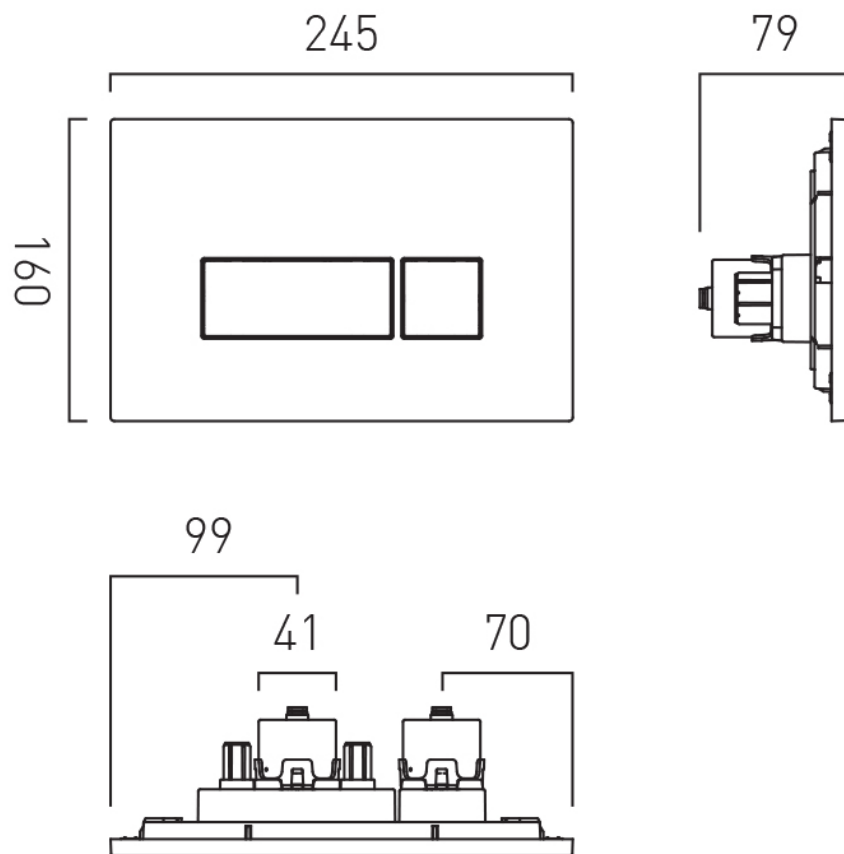
where inspiration flows
taps | showering | accessories



TECHNICAL DRAWING

COLLECTION: FLUSH CISTERNS AND PLATES

PRODUCT CODE: IND-195-SQ-BRN



tel: 01934 744466
email: sales@vado.com
www.vado.com

where inspiration flows
taps | showering | accessories

