

# SPECIFICATION SHEET

**COLLECTION:** ALTITUDE

**PRODUCT CODE:** IND-T148-ALT-BLK



## DESCRIPTION:

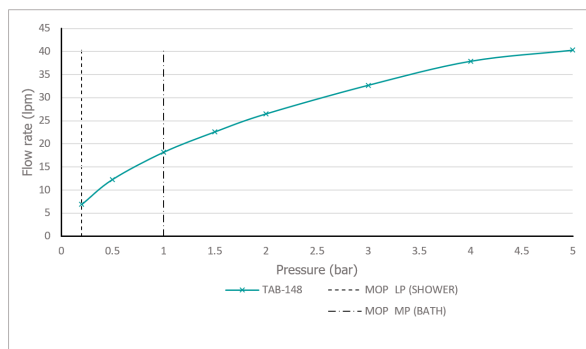
Tablet Altitude vertical concealed 1 outlet 2 handle  
thermostatic shower valve  
wall mounted  
thermostatic cartridge V-001C-PLA  
flow cartridge TAB-002A-3/4  
2 x 3/4" female inlets  
1 x 3/4" female outlet  
includes 3/4" - 1/2" adaptors  
supplied with mortar/tile guard  
min-max wall mount 75-100mm  
optimum installation depth 87mm  
minimum operating pressure 0.2 bar LP (shower) / 1.0  
bar MP (bath)

## FINISH:

Brushed Black

## MINIMUM OPERATING PRESSURE:

0.2 bar LP (shower) 1.0 bar MP (bath)



15  
year guarantee

tel: 01934 744466  
email: sales@vado.com  
www.vado.com

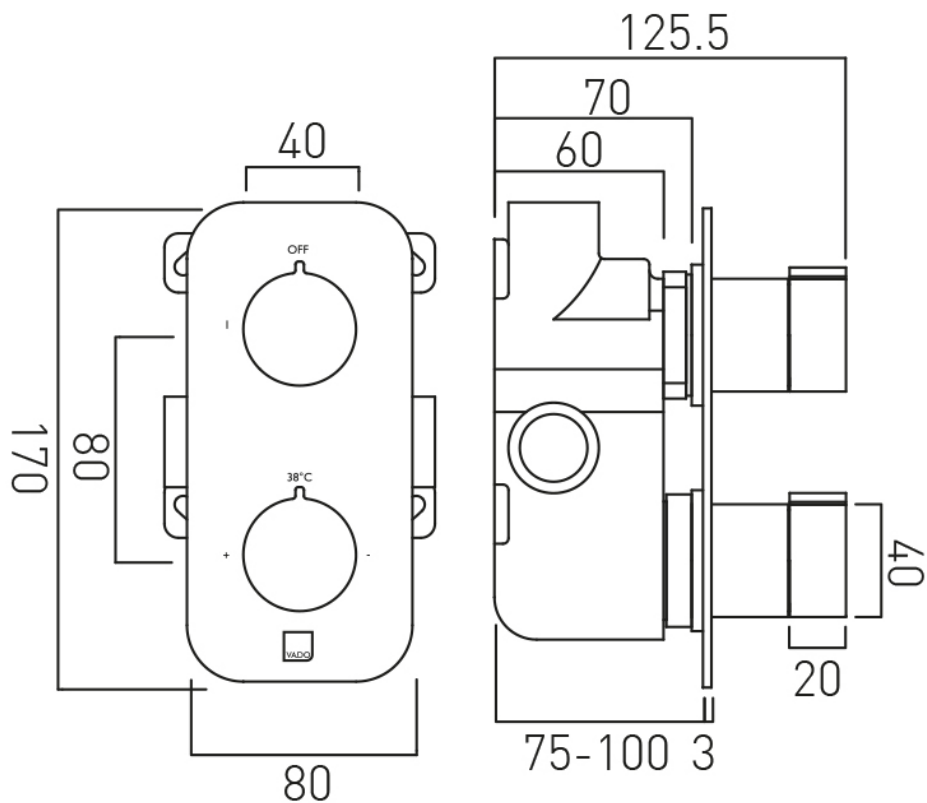
**where inspiration flows**  
taps | showering | accessories



# TECHNICAL DRAWING

**COLLECTION:** ALTITUDE

**PRODUCT CODE:** IND-T148-ALT-BLK



tel: 01934 744466  
email: sales@vado.com  
www.vado.com

**where inspiration flows**  
taps | showering | accessories

