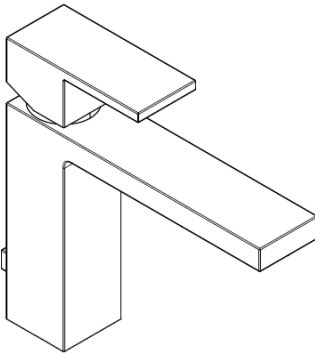


# BAGNODESIGN

EXPERTLY CRAFTED BATHROOMS

---

## General Installation Guide



## MEZZANINE

mono/tall basin/bidet mixers – 3-hole  
basin mixer - concealed basin mixer –  
bath spout – wall mounted bath mixer –  
exposed/concealed shower mixers

A member of  SANIPEXGROUP

Please leave these instructions with the customer

## IMPORTANT PLEASE READ

Remove all packaging and check the product for missing parts or damage before starting installation.

Any alterations made to this product and fittings may infringe water regulations and invalidate the guarantee.

The Installation must comply with all Local/National Water Supply Authority Regulations/Byelaws and Building and Plumbing Regulations.

We strongly recommend that your product be installed by a reputable qualified trade's person.

### **General Installation:**

To the Installer, please read and follow this instruction carefully, as the guarantee is only valid if the product is installed as directed.

Don't rush, read the instructions first and run through them before you begin. Keep fittings together to avoid loss. Do not over tighten screws or bolts.

If the product is covered with polyethylene protective film, do not remove until installation is complete to grant maximum protection. However, remove film where any two surfaces will be in permanent contact.

Before making any inlet pipe connections, all supply pipes **MUST** be thoroughly flushed to remove debris.

The fitting of an in-line filter is recommended, Failure to do this could result in damage to the cartridge and components or low flow from the mixer.

The fitting of isolation/stop valves on the inlet feeds is advised for ease of maintenance.

Please leave this installation manual with the end user once the product has been installed.

### **Product Aftercare:**

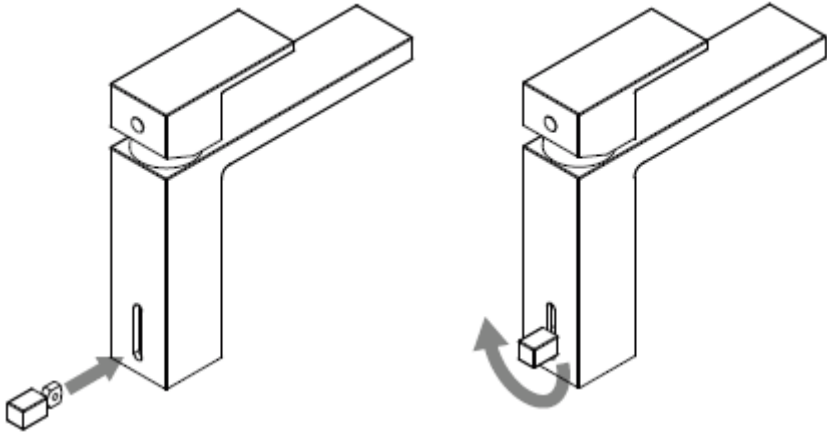
We recommend cleaning with a soft damp cloth and mild soap solution. Do not use cream cleaners or cleaners containing bleach.

Do not scrub or scour.

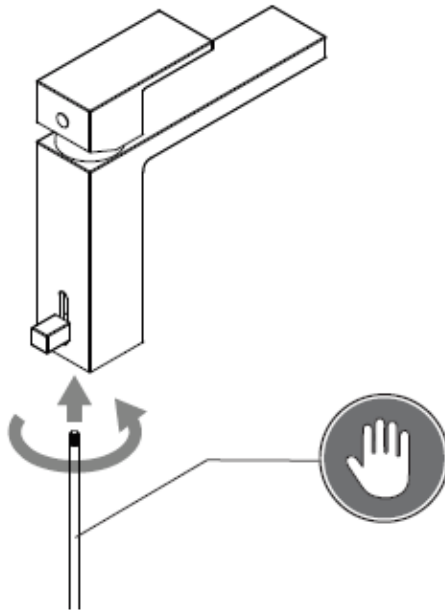
Do not use abrasive cleaning agents.

Do not use solvent based cleaners.

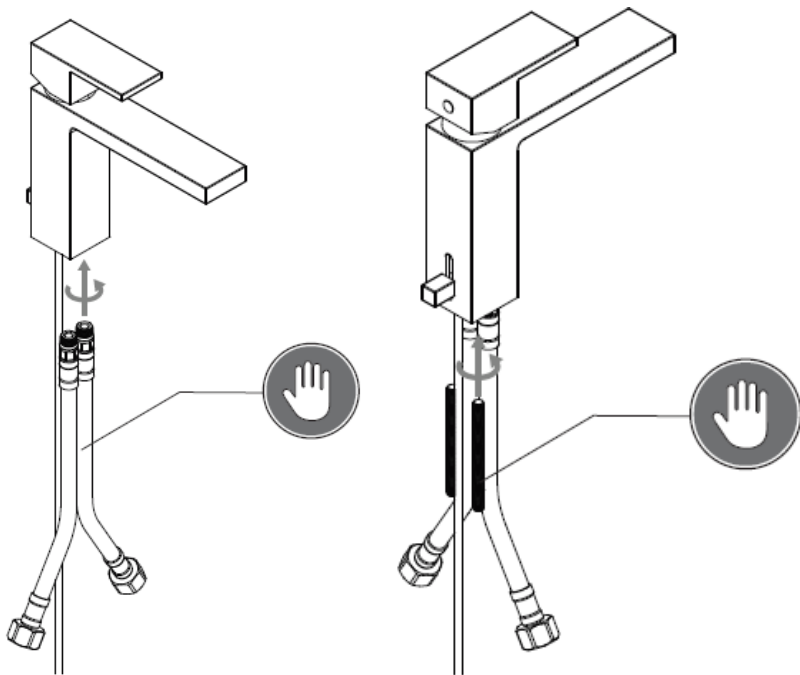
## Mono Basin/Bidet Mixer



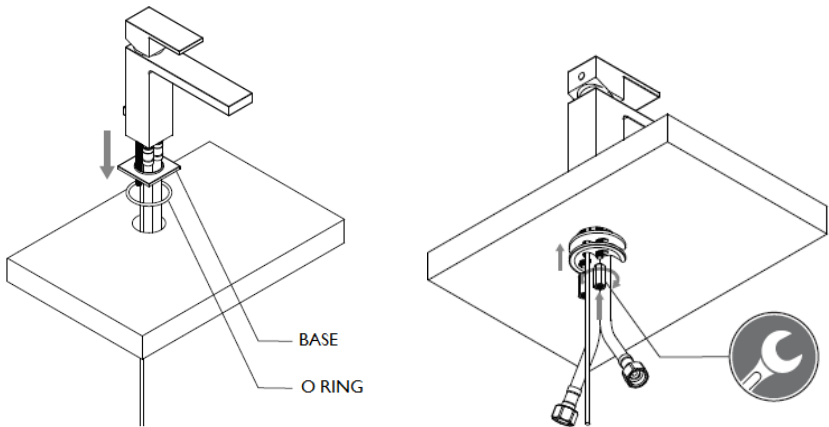
Insert the pop-up knob into the back-side of the mixer body, then rotate it 90° as shown above.



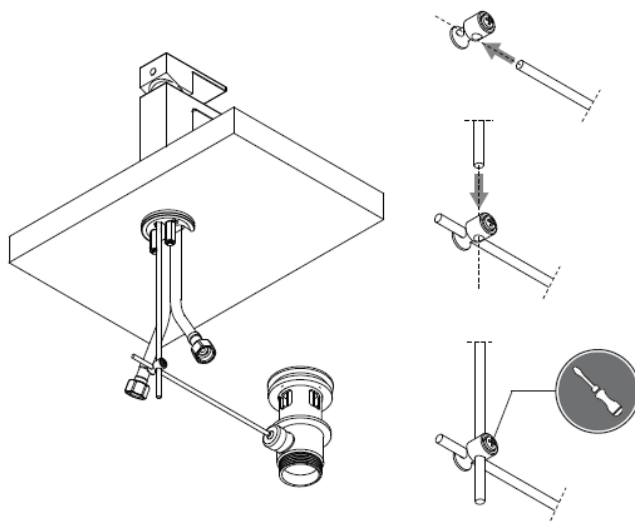
Whilst holding the pop-up knob in place, from underneath hand-tighten the pop up rod into the thread of the pop-up knob.



Place the 2 threaded rods and 2 flexible pipes into the body of the mixer.



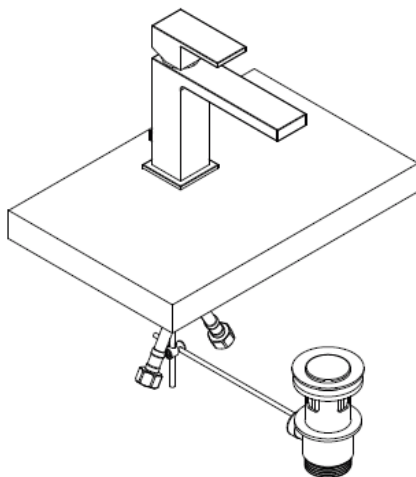
Install the 'O' ring and place the assembly through the basin / counter, From the underside, place the 'C' ring followed by the metal 'C' washer onto the threaded rods, then tighten to clamp the mixer to the basin / counter with the back nuts, being careful not to over tighten.



Install the waste ensuring that the foam washer is in between the waste and the basin on the top portion of the waste, the rubber washer is to be placed under the basin before the bottom part of the waste is connected and tightened up. Again take care not to over tighten.

Insert the vertical pop up rod into the mixer body and connect to the horizontal rod on the waste body using the connector provided.

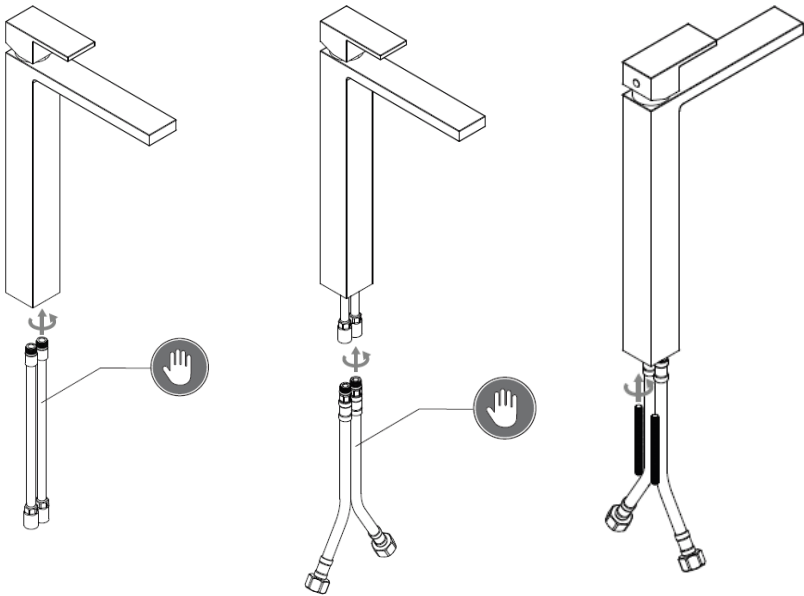
Slide down push rod into rod link then push both rods down to the furthest point and tighten.



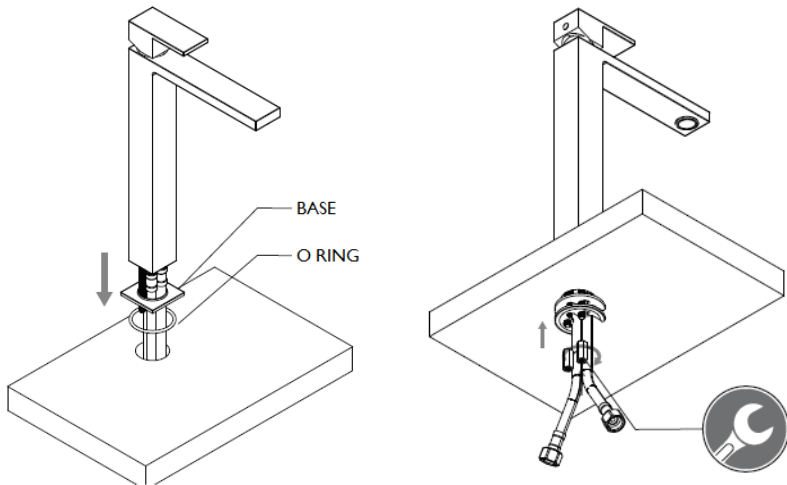
Install the flexible pipes, Open the water supplies and test for leaks on the connections.

**\* Before making any inlet pipe connections, all supply pipes MUST be thoroughly flushed to remove debris. Failure to do this could result in damage to the cartridge and components or low flow from the mixer\***

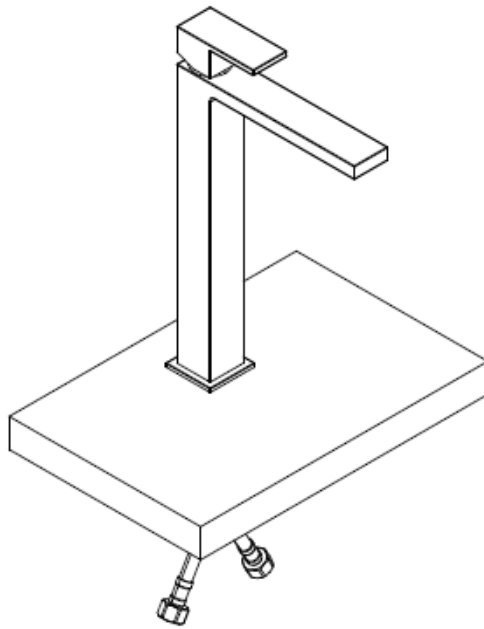
## Mono Tall Basin Mixer



Place the 2 rigid pipes followed by the 2 threaded rods and 2 flexible pipes into the body of the mixer.



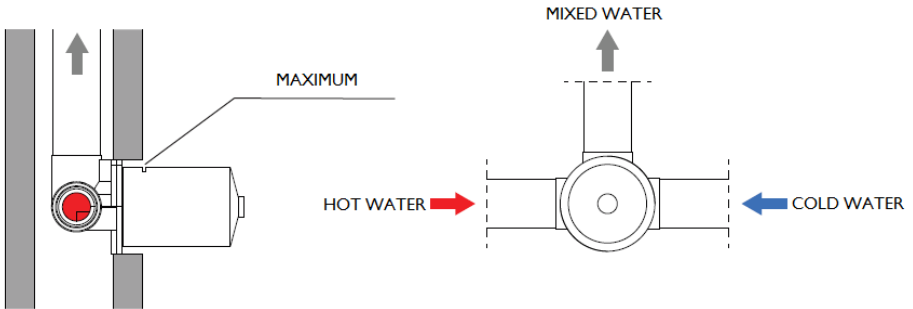
Install the base and 'O' ring and place the assembly through the basin / counter, From the underside, place the 'C' ring followed by the metal 'C' washer onto the threaded rods, then tighten to clamp the mixer to the basin / counter with the back nuts, being careful not to over tighten.



Install the flexible pipes, Open the water supplies and test for leaks on the connections.

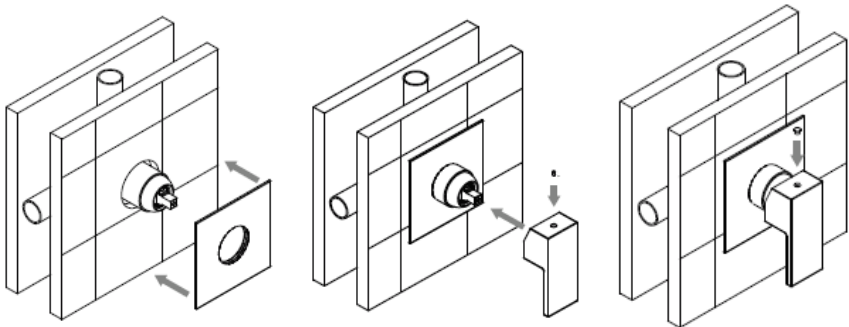
**\* Before making any inlet pipe connections, all supply pipes MUST be thoroughly flushed to remove debris. Failure to do this could result in damage to the cartridge and components or low flow from the mixer\***

## Concealed Shower Mixer



Install the mixer housing at a depth so that the finished surface is no further than the maximum distance marking shown in the diagram.

Connect the Hot and Cold water supplies to the mixer, then install the mixed water supply, cap off and pressure test to prevent any future leakage\*



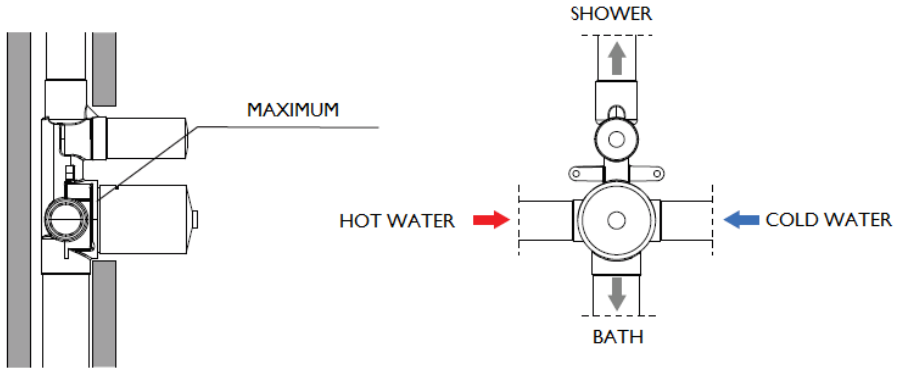
Once the surrounding finishes have been applied (Tiles/Marble etc.) remove the protection covers. Fit the face plate onto the mixer body, it is advised to use a small amount of lubricant on the rubber seals. Slide the handle onto the cartridge pin and secure with the grub screw, then push on the cover cap.

Open the water supplies and re-test for leaks.

**\* Before making any inlet pipe connections, all supply pipes MUST be thoroughly flushed to remove debris. Failure to do this could result in damage to the cartridge and components or low flow from the mixer\***

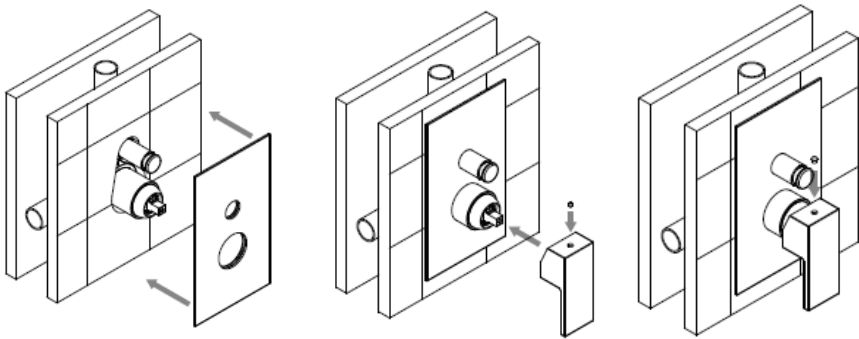


## Concealed Shower Mixer with Diverter



Install the mixer housing at a depth so that the finished surface is no further than the maximum distance marking shown in the diagram.

Connect the Hot and Cold water supplies to the mixer, then install the mixed and diverted water supplies, cap off and pressure test to prevent any future leakage\*

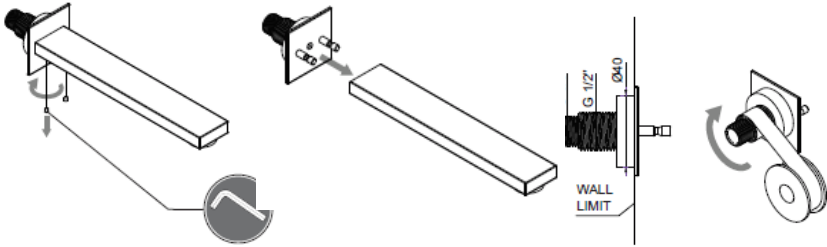


Once the surrounding finishes have been applied (Tiles/Marble etc.) remove the protection covers. Fit the face plate onto the mixer body, it is advised to use a small amount of lubricant on the rubber seals. Slide the handle onto the cartridge pin and secure with the grub screw, then push on the cover cap.

Open the water supplies and re-test for leaks.

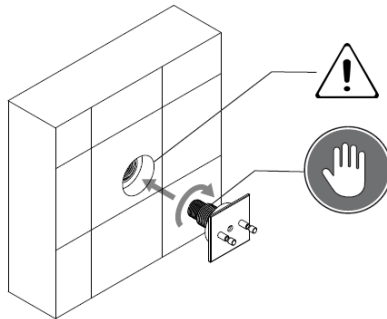
**\* Before making any inlet pipe connections, all supply pipes MUST be thoroughly flushed to remove debris. Failure to do this could result in damage to the cartridge and components or low flow from the mixer\***

## Bath Spout

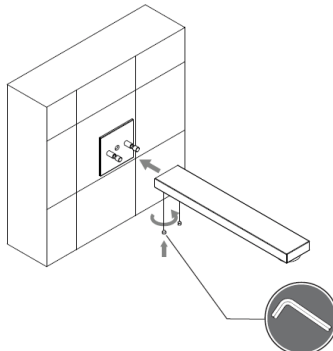


Remove the two screws under the spout (hex key 2mm), pull the spout in order to separate it from the plaque assembly. Wrap the threaded end of the plaque assembly using P.T.F.E thread seal tape or hemp.

*NOTE: if you need it is possible to cut the exceeding part of the 3/8" thread.*

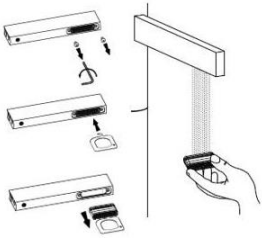


Then screw the insert into the wall water outlet fixing it by hand, making sure there is enough space into the wall to insert the brass collar.



Slide the spout over the two pins emerging from the plaque assembly, then screw back in the previously removed screw on the bottom of the spout and fix them (hex key 2mm). Be careful that the O-ring on the spout remains in place during the operation.

## MAINTENANCE



Periodically the aerator will need to be cleaned, simply remove the 2 retaining screws. Or unscrew the aerator

Using the key provided remove the aerator from the spout

Flush the aerator under water to remove the small debris.

Install the aerator back into the tap a re-tighten the screws.

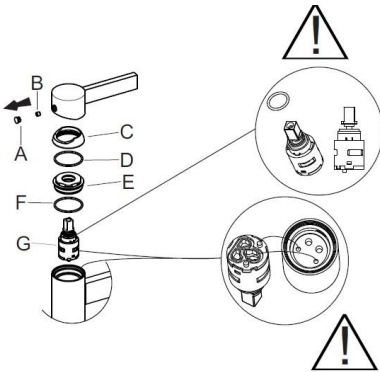


### Deck & Concealed Cartridges:

To remove the cartridge, remove the push cover (A), using an Allen key loosen the grub screw (B) this will allow the handle to be removed.

Unwind the shroud (C) and remove washer (D), Carefully with a spanner loosen the locking nut (E) and remove washer (F), this will allow the cartridge (G) to be taken out and replaced. Be careful not to lose any of the assembly parts.

When inserting the new cartridge make sure the 2 locating points align, then re-assemble as above.



### Exposed Mixer Cartridges

To remove the cartridge, remove the push cover (B), using an Allen key loosen the grub screw (A) this will allow the handle (C) to be removed.

Unwind the shroud (D), carefully with a spanner loosen the locking nut (E), this will allow the cartridge (F) to be taken out and replaced. Be careful not to lose any of the assembly parts.

When inserting the new cartridge make sure the 2 locating points align, then re-assemble as above.

