



# Croydex

THINK BATHROOMS

## Bathroom Solutions

2017  
TRADE  
CATALOGUE



# The Croydex Company



From the beginning in 1919, Croydex traded as the New Croydon Rubber Company. It was well known as a key supplier of household items to the ironmongery and houseware trades.

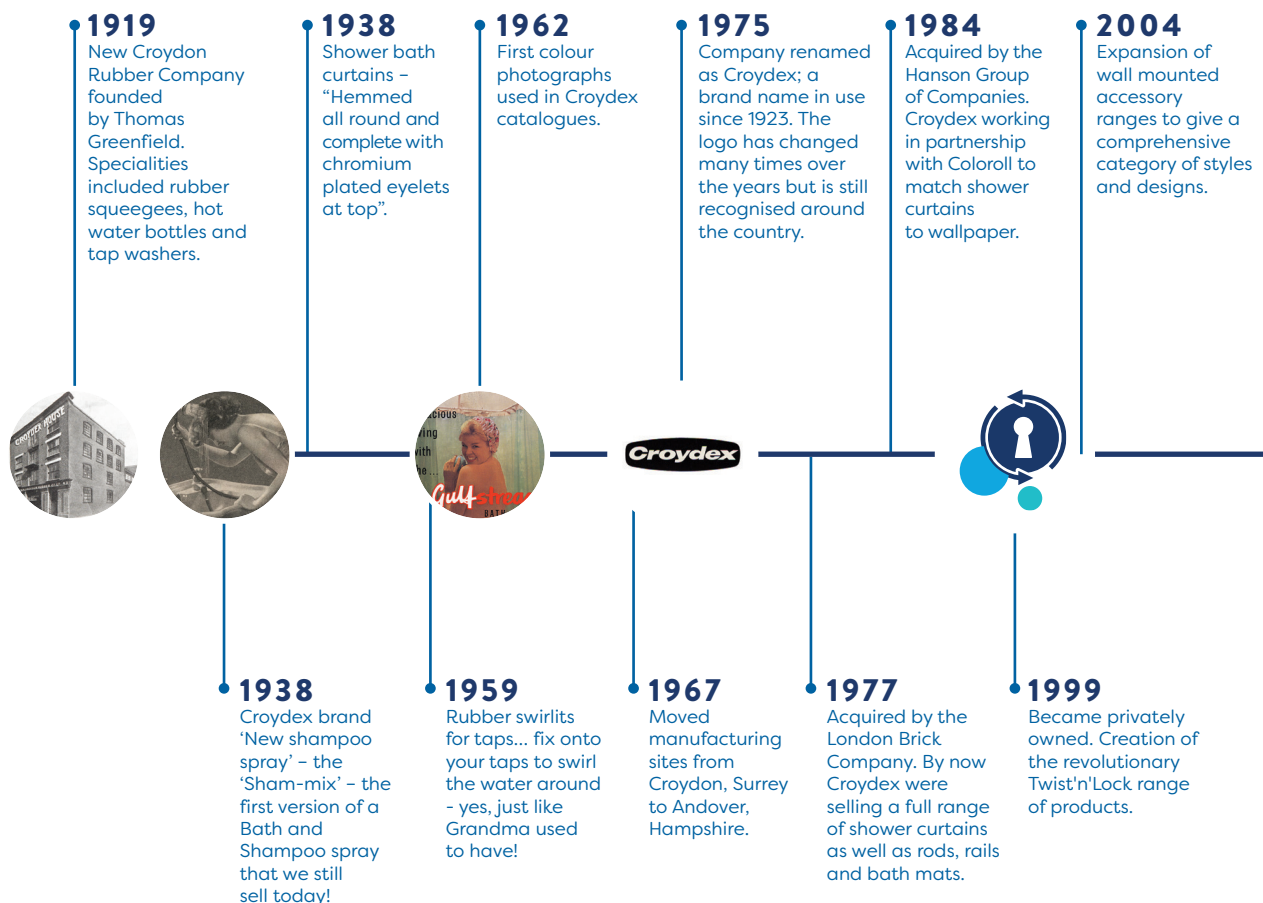
Croydex celebrated 90 years of successful business in 2009 and as a new and exciting development in 2015 were acquired by Norcros plc. Their portfolio of businesses are well established, service a broad customer base and benefit from leading market positions and strong brands including Triton Showers, Vado, Johnson Tiles, Norcros Adhesives and Abode Home Products.

From our 5-acre site in Andover, Hampshire our in-house design team create leading edge, innovative new

products, including the design of the unique Flexi-Fix fixing system in 2012 that has revolutionised the bathroom accessories market.

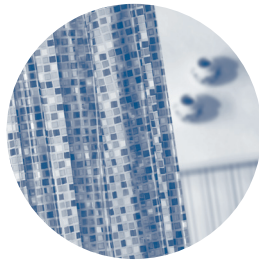
Quality of products remain paramount to the business and this is evident from the emphasis we place on standards. Directly employed Quality Assurance teams span across the UK, Europe and beyond. Regular inspections are carried out ensuring that every product supplied to our customers meet the very highest of standards.

Croydex continues to prosper in these ever changing markets, not only in the UK, but across Europe, the USA and beyond, and has developed to become a recognised brand of bathroom accessories and fittings.





**RODS AND RAILS**



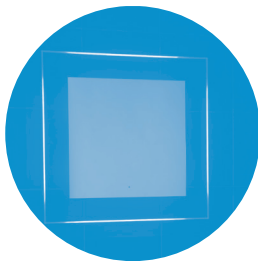
**SHOWER CURTAINS AND RINGS**



**SHOWER AND SHOWER ACCESSORIES**



**TOILET SEATS AND BATH PANELS**



**WALL MOUNTED/ SEMI PERMANENT ACCESSORIES**



**CABINETS AND STORAGE**



**INCLUSIVE PRODUCTS**



**PLUMBING, FITTINGS AND HOMEWARES**

**2011**

Launch of Stick'n'Lock, easy fixing wall mounted accessories combining screw fix and adhesive pad technology.



**2014**

Croydex launch Sit Tight, the 'Double-Fixed' toilet seat, designed to prevent seat movement.



**2015**

Croydex expands its range of Hang'n'Lock cabinets and mirrors, with the majority of these products now including this patented system.



**2015**

Acquired by Norcross plc. Croydex expands its range with two new collections of Flexi-Fix wireware for easy fixing bathroom storage.



**2012**

Launch of Flexi-Fix. A unique fixing system that will revolutionise the bathroom accessories market.



**2015**

Launch of rust free wireware with a minimum 5 year guarantee.



**2015**

Croydex launch Click'n'Lock, an easy assembly alternative to flat pack furniture. No tools required.



**2017**

Croydex embark on a rebrand of its packaging, introducing a new logo and brand identity.

# Croydex Innovations



Croydex's patented Stick'n'Lock technology combines the fixing methods of being able to use an adhesive pad that sticks to most flat, finished surfaces or using the unique screw fixing option to fit to any surface, including uneven tiles.

The products are easy to remove and clean when applied using the adhesive pad method and come with a free 5 year guarantee against rust.

No drills or screws are required, providing two easy ways to fix.

### ADHESIVE FIX



### OR... SCREW FIX



## RUST FREE

Croydex has developed a solution for in-shower accessories that promises to make rust stains a thing of the past.

Designed with a special coating, the rust free wire ware products are suitable for use within any 'wet' shower area or bathroom, giving consumers a real confidence and reliability in the product and all come with a five year, ten year or lifetime guarantee.

### FIVE YEAR



### TEN YEAR



### LIFE TIME



## SEE OUR DEMONSTRATION

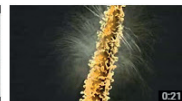
Videos online at [www.croydex.com](http://www.croydex.com) or scan the QR code below



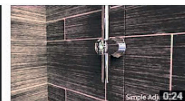
Croydex Aluminium Cabinets - Wall Mounted Instructional Video  
63 views • 2 months ago



Croydex Aluminium Cabinets - Recessed Mounted Instructional...  
37 views • 2 months ago



Drain Unclog Tool  
76 views • 1 year ago



Flexi-Fix Riser Rail  
107 views • 1 year ago



Croydex Stick'n'Lock Plus Telescopic Rods  
12,393 views • 1 year ago



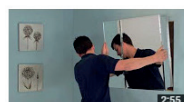
Croydex Grab'n'Grip Bars  
220 views • 1 year ago



Croydex Hook'n'Hang Shower Curtain  
1,424 views • 1 year ago



Mirrors Hang N Lock  
1,722 views • 3 years ago



Aluminium Cabinets Hang N Lock  
1,755 views • 3 years ago



Curtain Clip  
1,331 views • 4 years ago



Hang 'N' Lock  
712 views • 4 years ago



Twist N Lock Plus  
197 views • 4 years ago

# Croydex Innovations



This ground breaking toilet seat has been born out of the complaints from consumers that their toilet seats were forever coming loose.

Using a double fixing system, these toilet seats are applied using both a glue and screw system to secure the toilet seat hinges in place.

The toilet seat is then ready to use and there's no more movement.

**GLUE**



Position the hinges and then glue in place with the high strength adhesive supplied.

**SCREW**



Screw in place using the tool provided.

**READY TO USE**



The toilet seat is ready to use immediately.



The Flexi-Fix range of wall mounted products feature a unique 'X' plate which can either be fitted using existing fixing holes or screwed to new ones.

Alternatively, the patented bracket can be glued to most surfaces, including uneven walls or shiny tiles, eliminating the need for drilling completely.

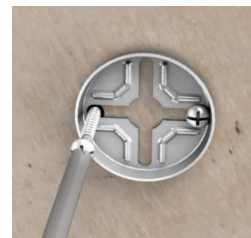
With three ways to fix, there's an option for everyone.

**RE-FIX**



Aligns to old holes

**SCREW-FIX**



To new holes

**GLUE-FIX**



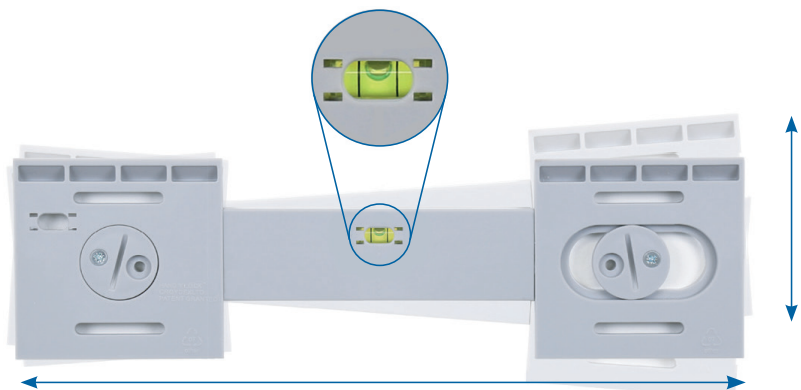
To most surfaces



Fixing large bathroom accessories doesn't have to be a two man job.

Croydex's Hang'n'Lock system avoids the awkwardness of having to struggle to measure distances and mark screw holes in one hand whilst supporting a heavy bathroom item in the other. Bathroom furniture in the Hang'n'Lock range can be fitted in just four easy steps.

Simply attach the brackets to the wall, adjust using the built-in spirit level, hang the product and lock securely in place.



# Symbols Key

The following products within this catalogue are patented or have patents pending. Many new products in our range are also going through the patent application process.

PRODUCT	NUMBER
Flexi-Fix	British Patent Number GB2482737 European Patent Application Number 11739132.6 United States Patent Number US9521906 Australian Patent Application Number 2011288265
Sit-Tight	British Patent Application Number 1304506.7
Grab'n'Grip	British Patent Number GB2373019 British Patent Number GB2403505
Twist'n'Lock	British Patent Number GB2426784 European Patent Application Number 06743992.7
Twist'n'Lock Plus	United States Patent US8132766 US8333354
Stick'n'Lock Plus	British Patent Number GB2488602 European Patent Application Number 12704544.1 Australian Patent Application Number 2012226592 United States Patent US-2014-0084118-A1
Hang'n'Lock	British Patent Number GB2427119

PRODUCT	NUMBER
Hang'n'Lock II	British Patent GB2498380
SafeFlush	European Patent Number EP1835833
Unfold'n'Fit	UK Patent Number GB2459246
Secura	British Patent GB2468654
Secura MK11	British Patent Application 1416674.8
Stick'n'Lock Shower Rod	British Patent Application 1416102
Space Saver Rod	British Patent Number GB2501453
Pebbles Bath Mat	Registered Design 4013859
Bubbles Bath Mat	Registered Design 4017056/7 Registered Community Design 1830639-001
Bubbles Shower Mat	Registered Community Design 1830639-002
Secura	Registered Design 4016963
Union Flag	Registered British Design 4022720
Swivel Cabinet	Registered British Design 001774506-0001/2



## FSC®

Any item that includes this logo in its description includes wood from well managed forests and other controlled sources certified by the Forest Stewardship Council®. By buying products with the FSC label you are supporting the growth of responsible forest management worldwide. The mark of responsible forestry.



## RAINFORREST ALLIANCE CERTIFIED™

The Rainforest Alliance is an international nonprofit conservation organisation that certifies forestry operations, ensuring that they meet rigorous standards for the conservation of natural resources and the rights and welfare of workers and local communities.



## WATER LABEL

The BMA water label is a voluntary scheme and is open to all companies who manufacture or sell product in the UK and Europe that meet the criteria for water efficiency products as defined by technical experts within the bathroom industry.



## ISO 9001 CERTIFIED QUALITY MANAGEMENT SYSTEM

Accreditation to the prestigious ISO 9001 Standard demonstrates our commitment to effectively manage our processes to meet our customers' requirements and continually improve our business. Certified by BSI.

# Symbols Key

Our new catalogue contains a number of colour coded symbols and logos to help you understand some of the main features and benefits of our new and existing products. Please find below a description of these symbols to enable you to look out for them as you browse the product details.



Supplied with an optional water saving device that reduces water usage by up to 50%.



Protects against:  
 E-Coli       Listeria  
 MRSA       Salmonella  
 Odours       Staining  
 Mould & Mildew



Soft close hinges prevent the seat from slamming closed.



Allows the seat to be removed easily for cleaning.



Allows the seat to be fitted from above.



No tools required



A flexible mounting system which allows existing screw holes to be re-used, no additional drilling is required.



This treatment helps reduce or prevent the growth of germs on products carrying the Hygiene'n'Clean logo, keeping them fresher, safer and more hygienic than similar untreated products.



The revolutionary quickassembly flat pack system.



The Flexi-Fix concept uses a unique bracket that is so universal it can be used when replacing the majority of existing bathroom accessories by utilising the same fixing holes irrespective of spacing or alignment.



The Hang'n'Lock bracket allows you to fit wall mounted cabinets and mirrors in a simple and safe way, using a patented system developed by our very own design team.



Combines both screw fix technology and an adhesive pad system, allowing the complete range of wall mounted accessories to be used anywhere in the home.



The 'Double-Fixed' toilet seat has been designed to never come loose. Using a glue and screw fixing system to secure the toilet seat hinges in place, your toilet seat is ready to use straight away with no more movement.



Designed with a special coating, the rust free wire ware products are suitable for use within any 'wet' shower area or bathroom and all come with a five year, ten year or lifetime guarantee.

## Product Range 2017

Welcome to the Croydex trade catalogue which is a new addition to our offering in 2017. As specialists in bathroom accessories, we understand the need for easy to fit products that will stand the test of time. In this catalogue you will find a selection of products that have been chosen with quality, durability and time sensitivity in mind, all aimed to provide effective solutions to a multitude of requirements.

All listings feature detailed specifications, images and line drawings to ensure you have the relevant information at hand. To further enhance your selection process our innovative technologies are clearly labelled on products throughout alongside easy to follow installation instructions which should help you to make an informed decision in choosing your product.

The aim of our rods and rails range is to ensure we can offer solutions to suit any shower set up. Our range features telescopic, space saver, bendy, straight, u-shaped and l-shaped rods available in a range of sizes and finishes. This variety along with the included technical specification breakdown will make choosing your product simple and quick.

When choosing a shower curtain the finish, hem weight and size are important to take into account. Our selection offers a variety of options for each of these categories to ensure you can find the appropriate product for the job. All curtains come ready to hang and can be used in conjunction with our curtain ring options which are also included.

Within our shower and shower accessories section you will find everything from shower heads and hoses to sealing options. Shower hoses are available in a choice of bores, lengths and finishes combining both aesthetic and practical requirements. The integration of water labels and spray patterns on all handsets and overheads allows the efficiency of the product to be a differentiating factor. Finally a range of shower accessories including seals and riser rail clips are also included.

Croydex's toilet seats are designed to stand the test of time and feature a range of high quality finishes. Sit-tight, anti-bacterial, quick release, soft close, top fix and easy fix are the technologies featured within this section. The range of finishes also mean there are seats featured to suit the design of any bathroom.

For durable and stylish finishes for the bathroom head to the wall mounted accessories section. Featuring a range of products and fixing methods there's a great choice to choose from. Regularly having to replace bathroom wireware due to rusting is something we believe can be prevented. Our wireware features either a five year, ten year or lifetime rust free guarantee as we understand that rusting in the bathroom is a costly issue and can be prevented.

Cabinets and storage products are available in aluminium, white steel and wooden finishes. With single, double, triple and illuminated cabinets available there is a product to suit any bathroom space and budget.

The inclusive range spans from supports bars to in-shower seating, all of which have a modern finish. Our objective is to provide sturdy, trusted products with a sleek look to ensure independent living is feasible whilst ensuring the bathroom remains modern and clutter free.

Plumbing, fittings and homeware's contains a range of cistern repair parts, converta plugs and bathroom accessories. All repair parts are robust and for applicable products WRAS approval has been indicated. All products have been tested and meet our strict criteria of only providing effective solutions.

If you would like to look at our full range of products along with tutorial videos and downloads please visit us at [www.croydex.com](http://www.croydex.com).

If you have any questions or wish to speak to someone regarding any of our products, simply call 01264 365881 and our friendly customer sales team will be happy to help.





# Contents

11	<b>RODS AND RAILS</b>
35	<b>SHOWER CURTAINS AND RINGS</b>
47	<b>SHOWER AND SHOWER ACCESSORIES</b>
71	<b>TOILET SEATS AND BATH PANELS</b>
85	<b>WALL MOUNTED/SEMI PERMANENT ACCESSORIES</b>
133	<b>CABINETS AND STORAGE</b>
155	<b>INCLUSIVE PRODUCTS</b>
177	<b>PLUMBING, FITTINGS AND HOMEWARES</b>

RODS  
AND RAILSSHOWER CURTAINS  
AND RINGSSHOWER AND  
SHOWER  
ACCESSORIESTOILET SEATS  
AND BATH PANELSWALL MOUNTED/  
SEMI PERMANENT  
ACCESSORIESCABINETS  
AND STORAGEINCLUSIVE  
PRODUCTSPLUMBING, FITTINGS  
AND HOMEWARES



## Rods and Rails

Manufactured to the highest quality, Croydex rods and rails come in a range of styles and offer several choices to complete the look of your bathroom.



## Rods and Rails

Featured within our rods and rails selection are a range of products suitable for a variety of bathroom spaces. Innovative design is important to us so along with a variety of sizes, colours and shapes you will find modern designs that are aimed at making the most out of any room. We also understand that your time is important which is why this range encompasses hard-wearing solutions that will stand the test of time.

Our modular rails offer a sleek, sturdy bright anodised aluminium rod system available in white and chrome options. These are classically designed and offer a clean finish to your shower area.

In line with our mantra of trying to make the most out of bathroom space our contemporary offerings showcase modern and innovative designs that enhance the aesthetic and practicality of your room. The premium telescopic curved rod, designed to make the most of space and stop shower curtains clinging, is a great way of adding a focal point to the bathroom that combines style and practicality.

If you are looking to save time our Stick'n'Lock™ technology is ideal. The rods in this section are simple to install three step solutions and also telescopic meaning you can tailor the product to the size of your

space. This method, which features both screw fix technology and an adhesive pad system, offers a secure installation and longevity of your rod.

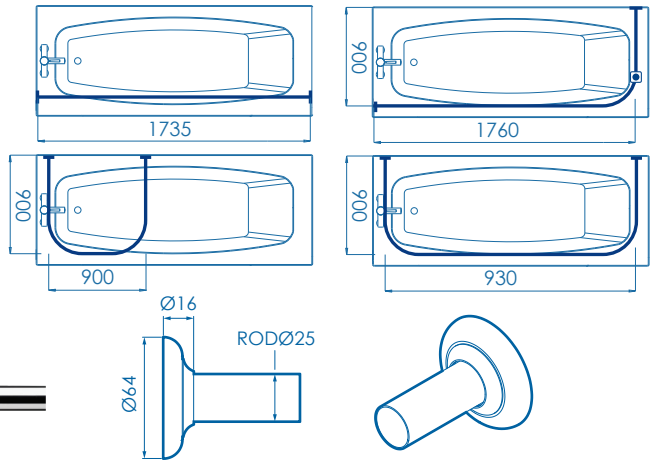
Within the professional offering of rails are a selection of products that are designed for mass installation projects. The inclusion of products such as the space saver rod, bendy rail, u-shaped and l-shaped rails increase the solutions available for a variety of spaces that you are likely to be dealing with. Professional rails are available in white, chrome and silver finishes in a variety of lengths.



# Rods and Rails – Modular

## MODULAR ROD

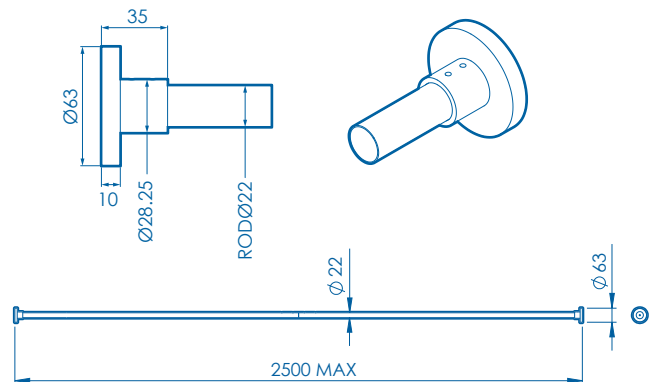
- Bright anodised aluminium rod system
- Heavy duty plastic wall brackets
- Use as standard size or cut to size
- Easy to install
- All fixings included



PRODUCT CODE	FINISH	TUBE	LENGTH	RAIL	PACKAGING	PRICE
AD118922	White	22mm	900-1760mm	-	Blister pack with euro slot	£26.11
AD118941	Chrome effect	22mm	900-1760mm	-	Blister pack with euro slot	£27.69

## LUXURY ROUND ROD

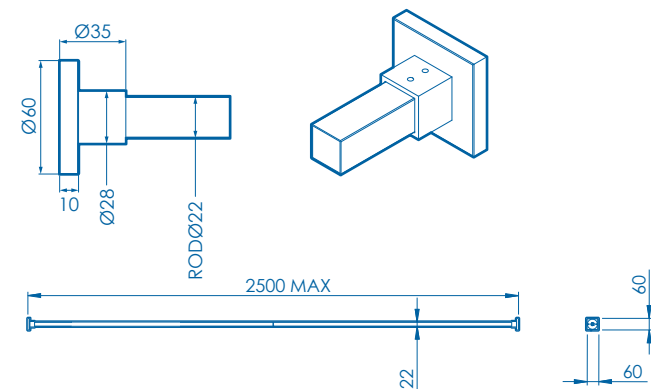
- Bright anodised aluminium compact luxury shower curtain rod
- Stylish chrome plated metal wall brackets
- Maximum length of 2500mm, can be cut to size
- Supplied with twelve matching shower curtain hooks



PRODUCT CODE	FINISH	TUBE	LENGTH	RAIL	PACKAGING	PRICE
AD116541	Chrome	22mm	Max. 2500mm	-	PET Box	£32.86

## LUXURY SQUARE ROD

- Bright anodised aluminium compact luxury shower curtain rod
- Stylish chrome plated metal wall brackets
- Maximum length of 2500mm, can be cut to size
- Supplied with twelve matching shower curtain hooks

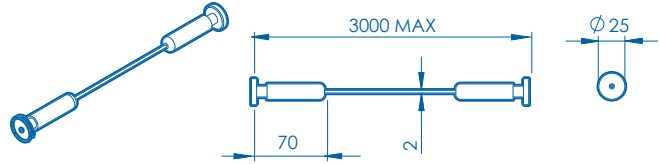


PRODUCT CODE	FINISH	TUBE	LENGTH	RAIL	PACKAGING	PRICE
AD116441	Chrome	22mm	Max. 2500mm	-	PET Box	£37.56

# Rods and Rails – Contemporary

## WIRELINE

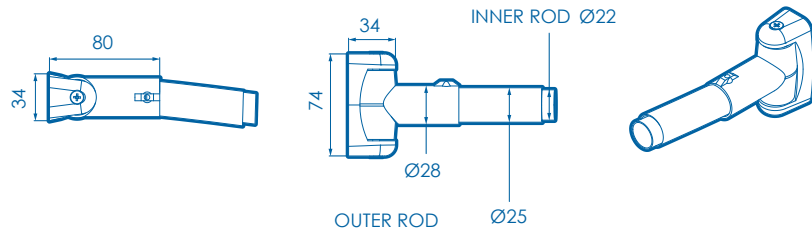
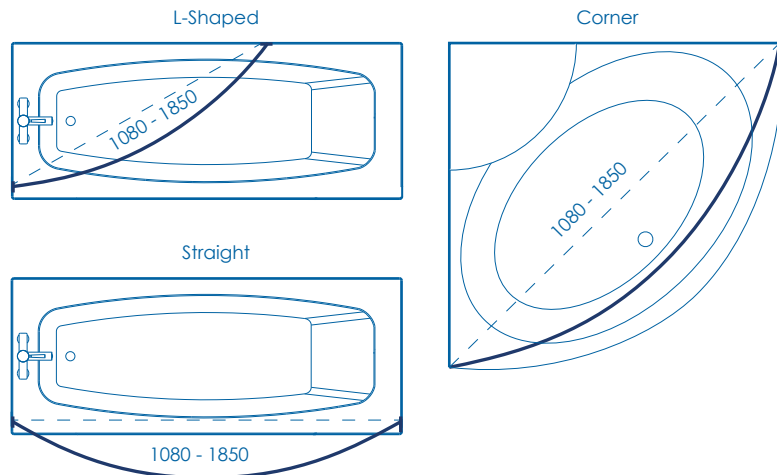
- A contemporary stainless steel wire cable with chrome plated metal wall brackets
- Maximum length of 3000mm, can be cut to size
- Screw fit wall brackets to ensure a taut installation
- Includes twelve stainless steel shower curtain hooks



PRODUCT CODE	FINISH	WIRE	LENGTH	RAIL	PACKAGING	PRICE
AD107041	Chrome	2mm	Max. 3000mm	-	Blister pack with euro slot	£18.77

## PREMIUM TELESCOPIC CURVED ROD

- Stainless steel curved rod with chrome plated metal wall brackets
- Curved rod holds the shower curtain away from the user creating extra showering space
- Prevents the curtain from clinging
- The rod extends from 1080mm to 1850mm
- All fixings included



PRODUCT CODE	FINISH	TUBE	LENGTH	RAIL	PACKAGING	PRICE
AD108541	Chrome	25mm	1080-1850mm	-	Blister pack with euro slot	£36.61

# Stick'n'Lock™ Rods and Rails

RODS AND RAILS

## SIMPLY PEEL & FIX

Combines both screw fix technology and an adhesive pad system, allowing the complete range of wall mounted accessories to be used anywhere in the home.

## THREE STEP INSTALLATION

### 1. EXTEND

Extend and tension to the required length



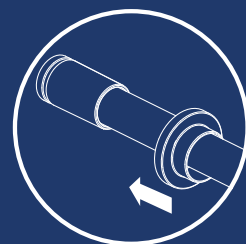
### 2. SCREW

Unique screw action of the end buffer ensures a secure installation



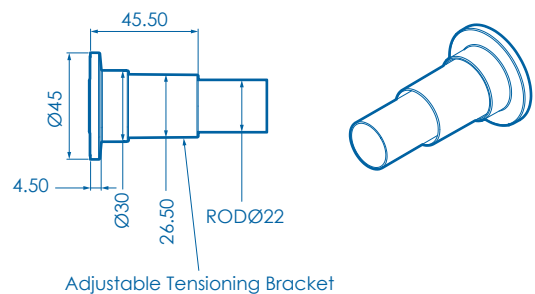
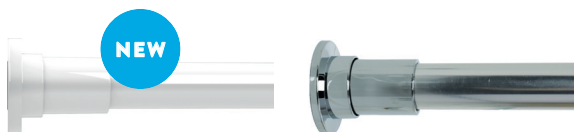
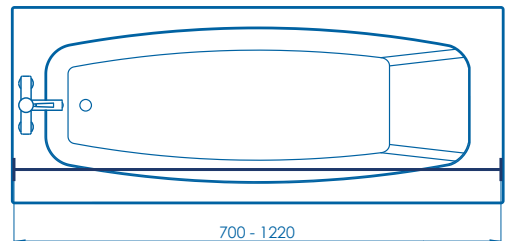
### 3. PEEL AND STICK

Wall brackets include adhesive pad for extra security



## STICK'N'LOCK SHOWER CUBICLE TELESCOPIC ROD

- Bright anodised aluminium rod with plastic/chrome plated plastic wall brackets
- Telescopic rod extends from 700mm to 1220mm using a simple slide and twist action
- Adhesive pad and unique screw action of the end buffer ensures an easy and secure installation
- Self supporting rod



## Stick'n'Lock™

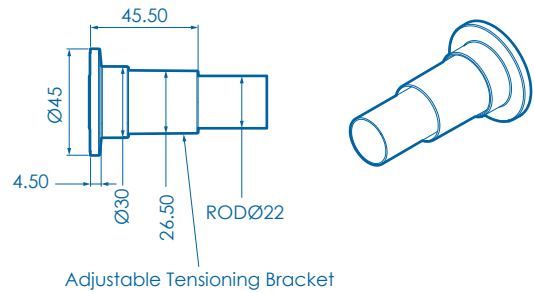
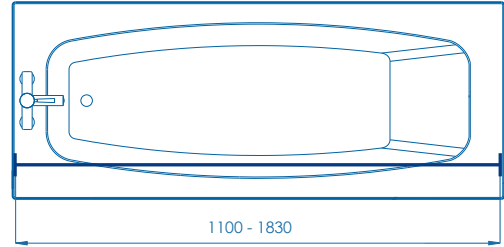
PRODUCT CODE	FINISH	TUBE	LENGTH	RAIL	PACKAGING	DIMENSIONS	PRICE
AD100122	White	22mm	700-1220mm	-	PET Box	-	£15.48
AD100100	Chrome	22mm	700-1220mm	-	PET Box	-	£15.95

# Stick'n'Lock™ Rods and Rails

RODS AND RAILS

## STICK'N'LOCK 6ft TELESCOPIC ROD

- Bright anodised/powder coated aluminium compact shower curtain rod
- Telescopic rod extends from 1100mm to 1830mm using a simple slide and twist action
- Adhesive pad and unique screw action of the end buffer ensures an easy and secure installation
- Self supporting rod

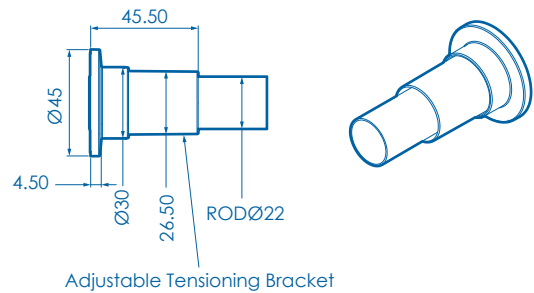
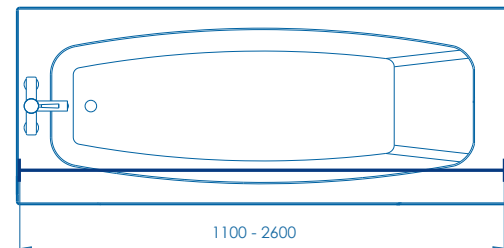


## Stick'n'Lock™

PRODUCT CODE	FINISH	TUBE	LENGTH	RAIL	PACKAGING	PRICE
AD101122	White	22mm	1100-1830mm	-	PET Box	£19.23
AD101100	Chrome	22mm	1100-1830mm	-	PET Box	£19.70

## STICK'N'LOCK 8ft 6in TELESCOPIC ROD

- Bright anodised aluminium compact shower curtain rod with plastic/chrome plated plastic wall brackets
- Telescopic rod extends from 1100mm to 2600mm using a simple slide and twist action
- Adhesive pad and unique screw action of the end buffer ensures an easy and secure installation
- Self supporting rod



## Stick'n'Lock™

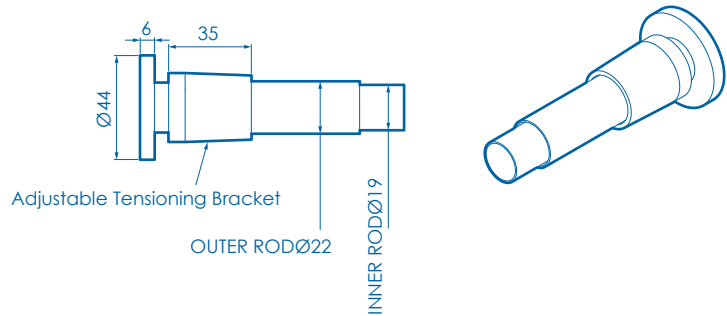
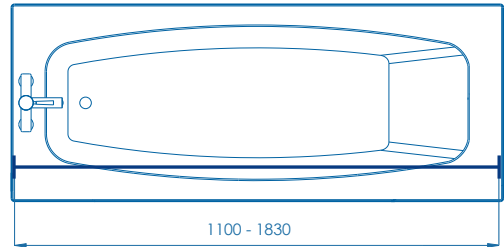
PRODUCT CODE	FINISH	TUBE	LENGTH	RAIL	PACKAGING	PRICE
AD102122	White	22mm	1100-2600mm	-	PET Box	£21.11
AD102100	Chrome	22mm	1100-2600mm	-	PET Box	£21.58



# Rods and Rails – Telescopic

## 6ft SELF SUPPORTING TELESCOPIC ROD

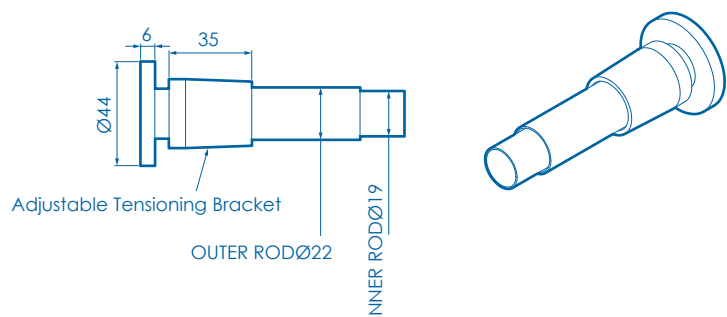
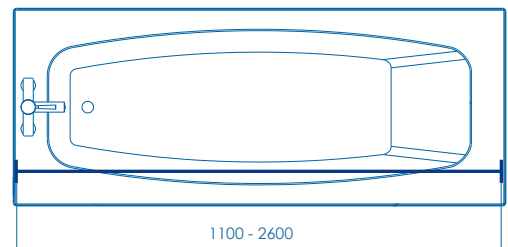
- Bright anodised/powder coated aluminium compact shower curtain rod
- Telescopic rod extends from 1100mm to 1830mm using a simple slide and twist action
- The unique screw action of the end buffer ensures an easy and secure installation



PRODUCT CODE	FINISH	TUBE	LENGTH	RAIL	PACKAGING	DIMENSIONS	PRICE
AD101022	White	22mm	1100-1830mm	-	PET Box	-	£18.29
AD101000	Chrome	22mm	1100-1830mm	-	PET Box	-	£18.77

## 8ft 6in SELF SUPPORTING TELESCOPIC ROD

- Bright anodised/powder coated aluminium compact shower curtain rod
- Telescopic rod extends from 1100mm to 2600mm using a simple slide and twist action
- The unique screw action of the end buffer ensures an easy and secure installation

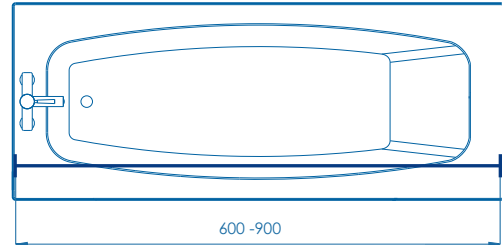
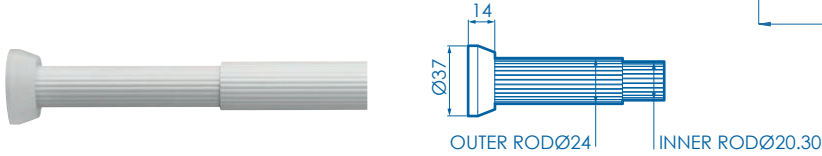


PRODUCT CODE	FINISH	TUBE	LENGTH	RAIL	PACKAGING	DIMENSIONS	PRICE
AD102022	White	22mm	1100-2600mm	-	PET Box	-	£20.18
AD102000	Chrome	22mm	1100-2600mm	-	PET Box	-	£20.65

# Rods and Rails – Telescopic

## HEAVY DUTY TELESCOPIC TENSION ROD

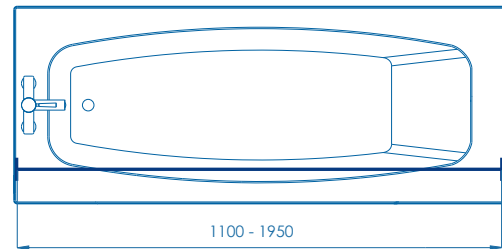
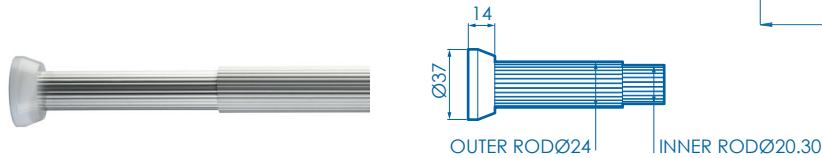
- Aluminium rod with plastic wall brackets
- Secure, self supporting rod
- Manufactured from ultra strong fluted aluminium
- Spring loaded for quick and easy fitting and removal
- Adjust to your desired size



PRODUCT CODE	FINISH	TUBE	LENGTH	RAIL	PACKAGING	PRICE
GP88901	White	24mm	600-900mm	-	Hanging Sleeve with C Hook	£19.24
GP88900	Silver	24mm	600-900mm	-	Hanging Sleeve with C Hook	£19.24

## HEAVY DUTY TELESCOPIC TENSION ROD

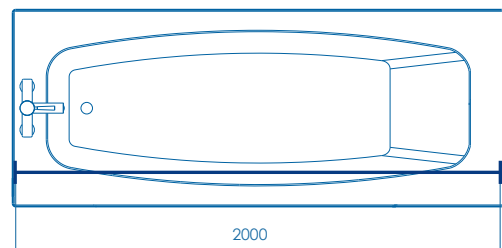
- Aluminium rod with plastic wall brackets
- Secure, self supporting rod
- Manufactured from ultra strong fluted aluminium
- Spring loaded for quick and easy fitting and removal
- Adjust to your desired size



PRODUCT CODE	FINISH	TUBE	LENGTH	RAIL	PACKAGING	PRICE
GP89001	White	24mm	1100-1950mm	-	Hanging Sleeve with C Hook	£25.81
GP89000	Silver	24mm	1100-1950mm	-	Hanging Sleeve with C Hook	£28.81

## PREMIER SHOWER CURTAIN ROD (STRAIGHT)

- Stainless steel rod with chrome plated zinc wall brackets
- 2000mm, Use as standard size or cut to size.
- All fixings included



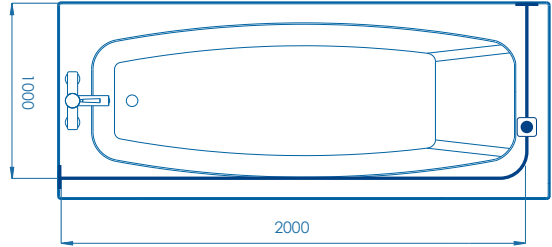
PRODUCT CODE	FINISH	TUBE	LENGTH	RAIL	PACKAGING	PRICE
GP89500	Chrome	25mm	2000mm	-	Polybag with header card	£42.24

# Rods and Rails – Professional

RODS AND RAILS

## PREMIER SHOWER CURTAIN ROD (LARGE L-SHAPED)

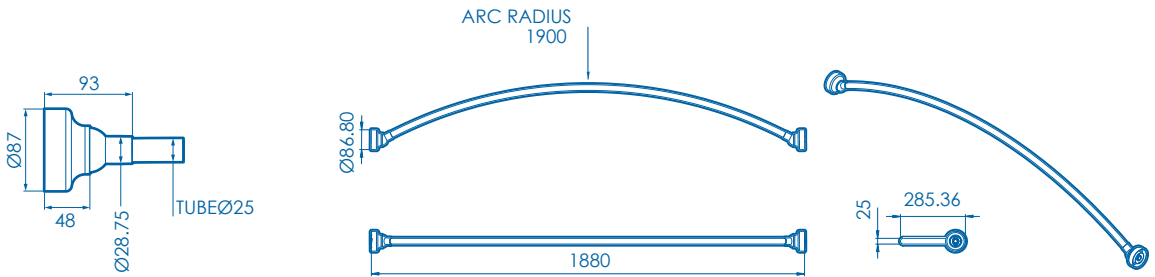
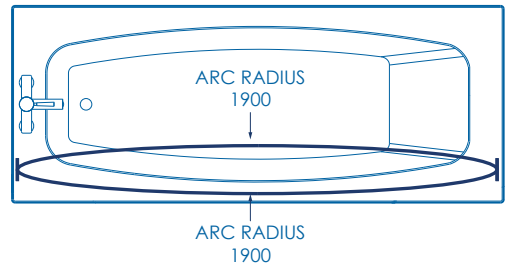
- 2000x1000mm Stainless steel rod with chrome plated zinc wall brackets
- Includes ceiling support and twelve curtain rings
- All fixings included



PRODUCT CODE	FINISH	TUBE	RAIL	PACKAGING	DIMENSIONS (LXW)	PRICE
AD149641	Chrome	25mm	-	Brown box with b/w label	2000x1000mm	£65.73

## SPACE SAVER ROD

- Stainless steel rod with chrome plated zinc and ABS wall brackets
- This Space Saver Rod can be used in two positions. Curve out around the bath to create up to 20% more room when showering, or flip over to sit within the bath creating more room in the bathroom and allowing you to drip dry your clothes over the bath
- Use the rod reacher included to rotate the rod
- Use as standard or cut to size
- All fixings included

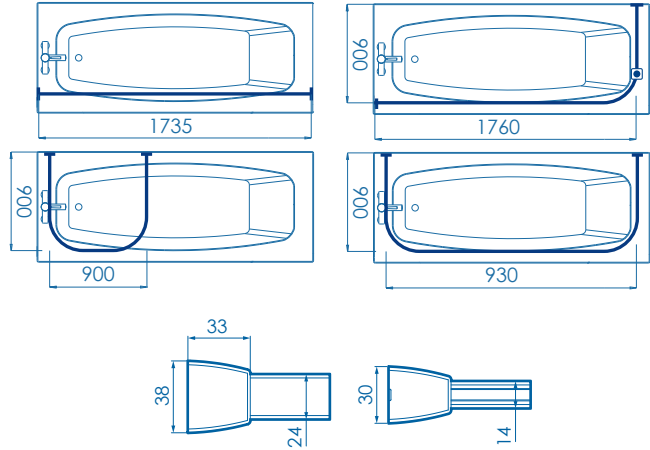


PRODUCT CODE	FINISH	TUBE	LENGTH	RAIL	PACKAGING	PRICE
AD179441	Chrome	25mm	1880mm	-	White box with colour label	£56.33

# Rods and Rails – Professional

## SLENDERLINE

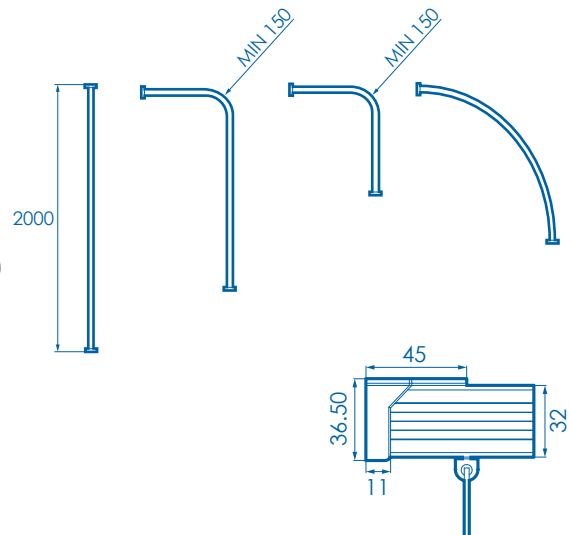
- A lightweight but strong aluminium rail system
- Complete with ceiling support, hooks and gliders
- Use as standard size or cut to your exact requirements
- Strong, durable and easy to install
- All fixings included



PRODUCT CODE	FINISH	TUBE	LENGTH	RAIL	PACKAGING	PRICE
GP87001	White	-	676-1800mm	24x14mm	Full colour box with euro slot	£51.64
GP87000	Silver	-	676-1800mm	24x14mm	Full colour box with euro slot	£53.05
AD200541	Chrome	-	676-1800mm	24x14mm	Full colour box with euro slot	£59.15

## BENDY RAIL

- Two separate aluminium extrusions sandwich a flexible PVC core which allows the rail to be easily bent at any point to suit the shape of any bath or shower tray
- Minimum bend radius 150mm
- Complete with ceiling support, hooks and gliders
- Use as standard size or cut to your exact requirements
- Strong, durable and easy to install
- All fixings included
- Dust cover sold separately

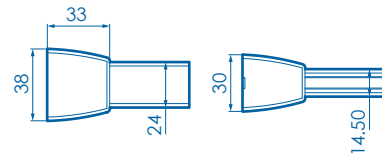
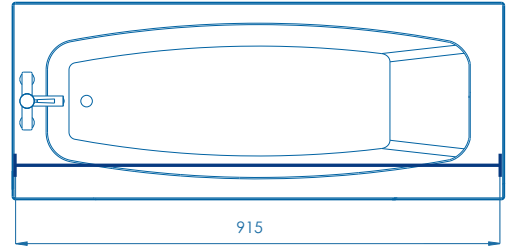


PRODUCT CODE	FINISH	TUBE	LENGTH	RAIL	PACKAGING	PRICE
GP78001	White	-	2000mm	32x14mm	Sleeve with colour label	£40.37
GP78101	White	-	2500mm	32x14mm	Sleeve with colour label	£46.94
GP78201	White	-	3000mm	32x14mm	Sleeve with colour label	£56.33
AD200641	Chrome effect	-	2500mm	32x14mm	Sleeve with colour label	£62.92
GP78000	Silver	-	2000mm	32x14mm	Sleeve with colour label	£41.31
GP78100	Silver	-	2500mm	32x14mm	Sleeve with colour label	£48.35
GP78200	Silver	-	3000mm	32x14mm	Sleeve with colour label	£57.74

# Rods and Rails – Professional

## PROFILE 800 STRAIGHT RAIL 915mm

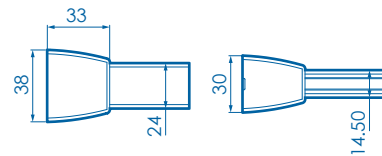
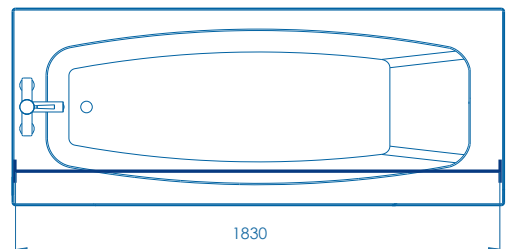
- A lightweight but strong aluminium rail system
- Pre-formed for perfect bends with a rigid 'H' section
- The system features a smooth running internal hook and glider system
- Supplied with twelve hooks and gliders for one shower curtain
- Rail size 24x14mm
- All fixings included



PRODUCT CODE	FINISH	TUBE	LENGTH	RAIL	PACKAGING	PRICE
GP85101	White	-	915mm	24x14mm	Printed Sleeve	£17.36
GP85100	Silver	-	915mm	24x14mm	Printed Sleeve	£17.83

## PROFILE 800 STRAIGHT RAIL 1830mm

- A lightweight but strong aluminium rail system
- Pre-formed for perfect bends with a rigid 'H' section
- The system features a smooth running internal hook and glider system
- Supplied with twelve hooks and gliders for one shower curtain
- Rail size 24x14mm
- All fixings included

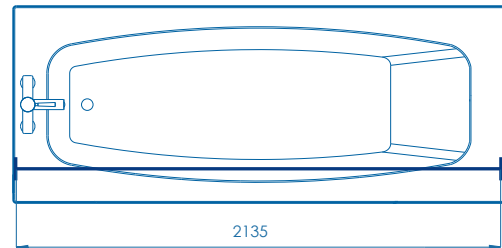


PRODUCT CODE	FINISH	TUBE	LENGTH	RAIL	PACKAGING	PRICE
GP85201	White	-	1830mm	24x14mm	Printed sleeve	£26.28
GP85200	Silver	-	1830mm	24x14mm	Printed sleeve	£27.22
AD200141	Chrome	-	1830mm	24x14mm	Printed sleeve	£30.44

# Rods and Rails – Professional

## PROFILE 800 STRAIGHT RAIL 2135mm

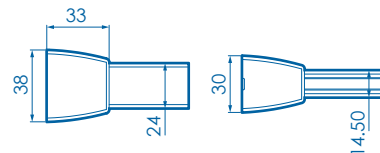
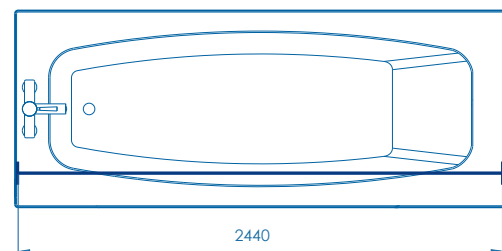
- A lightweight but strong aluminium rail system
- Pre-formed for perfect bends with a rigid 'H' section
- The system features a smooth running internal hook and glider system
- Supplied with twelve hooks and gliders for one shower curtain
- Rail size 24x14mm
- All fixings included



PRODUCT CODE	FINISH	TUBE	LENGTH	RAIL	PACKAGING	PRICE
GP85301	White	-	2135mm	24x14mm	Printed sleeve	£28.16
GP85300	Silver	-	2135mm	24x14mm	Printed sleeve	£29.10
AD200241	Chrome	-	2135mm	24x14mm	Printed sleeve	£32.86

## PROFILE 800 STRAIGHT RAIL 2440mm

- A lightweight but strong aluminium rail system
- Pre-formed for perfect bends with a rigid 'H' section
- The system features a smooth running internal hook and glider system
- Supplied with twelve hooks and gliders for one shower curtain
- Rail size 24x14mm
- All fixings included

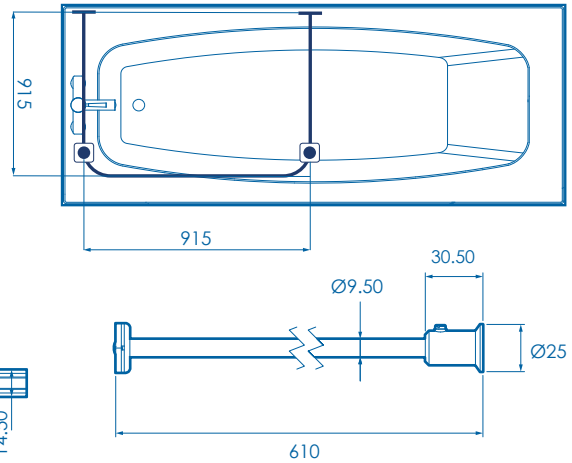


PRODUCT CODE	FINISH	TUBE	LENGTH	RAIL	PACKAGING	PRICE
GP85401	White	-	2440mm	24x14mm	Printed sleeve	£30.97
GP85400	Silver	-	2440mm	24x14mm	Printed sleeve	£31.92

# Rods and Rails – Professional

## PROFILE 800 U-SHAPED RAIL 915mm

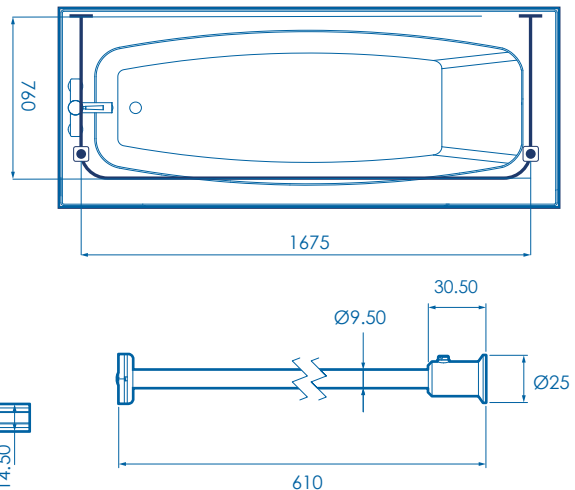
- A lightweight but strong aluminium rail system
- Pre-formed for perfect bends with a rigid 'H' section
- The system features a smooth running internal hook and glider system
- Supplied with twelve hooks and gliders for one shower curtain
- Rail size 24x14mm
- All fixings included
- Includes two ceiling supports



PRODUCT CODE	FINISH	TUBE	RAIL	PACKAGING	DIMENSIONS (WxLxW)	PRICE
GP86101	White	-	24x14mm	Printed sleeve	915x915x915mm	£54.46
GP86100	Silver	-	24x14mm	Printed sleeve	915x915x915mm	£55.87

## PROFILE 800 U-SHAPED RAIL 760mm

- A lightweight but strong aluminium rail system
- Pre-formed for perfect bends with a rigid 'H' section
- The system features a smooth running internal hook and glider system
- Supplied with twelve hooks and gliders for one shower curtain
- Rail size 24x14mm
- All fixings included
- Includes two ceiling supports

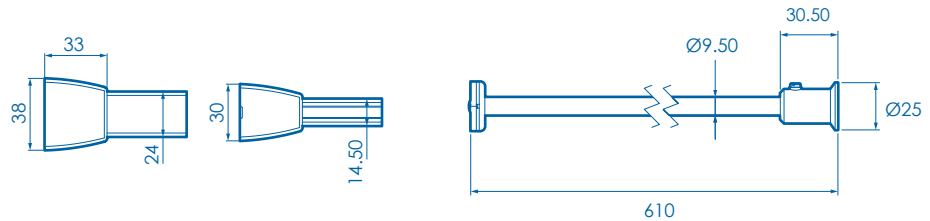
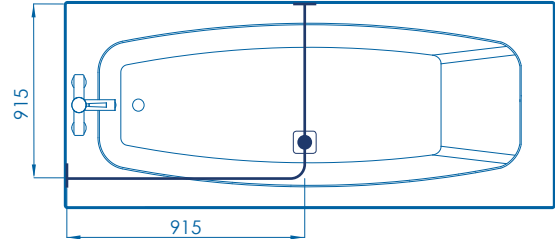


PRODUCT CODE	FINISH	TUBE	RAIL	PACKAGING	DIMENSIONS (WxLxW)	PRICE
GP86201	White	-	24x14mm	Printed sleeve	760x1675x760mm	£56.33
GP86200	Silver	-	24x14mm	Printed sleeve	760x1675x760mm	£57.74

# Rods and Rails – Professional

## PROFILE 800 L-SHAPED RAIL 915mm

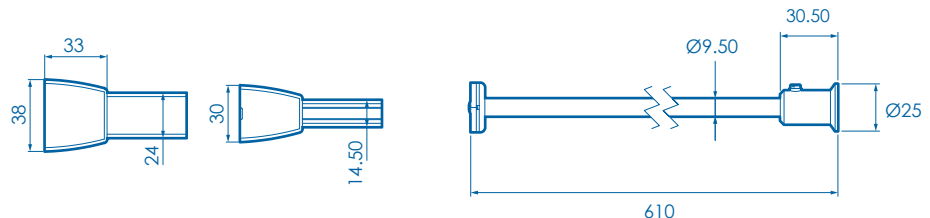
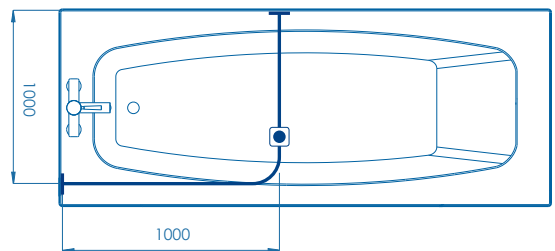
- A lightweight but strong aluminium rail system
- Pre-formed for perfect bends with a rigid 'H' section
- The system features a smooth running internal hook and glider system
- Supplied with twelve hooks and gliders for one shower curtain
- Rail size 24x14mm
- All fixings included
- Includes one ceiling support



PRODUCT CODE	FINISH	TUBE	RAIL	PACKAGING	DIMENSIONS (LxW)	PRICE
GP85601	White	-	24x14mm	Printed sleeve	915x915mm	£33.79
GP85600	Silver	-	24x14mm	Printed sleeve	915x915mm	£34.74
AD200341	Chrome	-	24x14mm	Printed sleeve	915x915mm	£38.49

## PROFILE 800 L-SHAPED RAIL 1000mm

- A lightweight but strong aluminium rail system
- Pre-formed for perfect bends with a rigid 'H' section
- The system features a smooth running internal hook and glider system
- Supplied with twelve hooks and gliders for one shower curtain
- Rail size 24x14mm
- All fixings included
- Includes one ceiling support



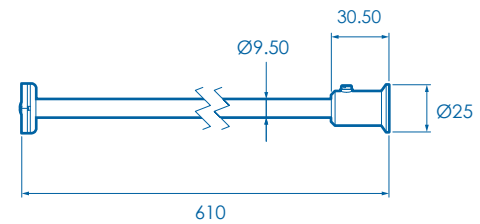
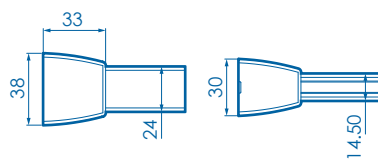
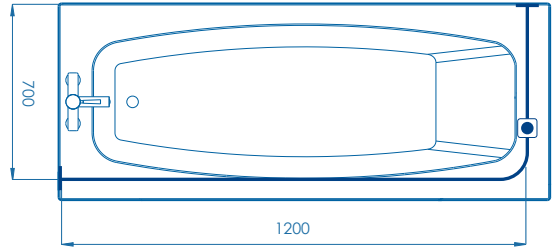
PRODUCT CODE	FINISH	TUBE	RAIL	PACKAGING	DIMENSIONS (LxW)	PRICE
GP86601	White	-	24x14mm	Printed sleeve	1000x1000mm	£35.67
GP86600	Silver	-	24x14mm	Printed sleeve	1000x1000mm	£36.61



# Rods and Rails – Professional

## PROFILE 800 L-SHAPED RAIL 1200mm

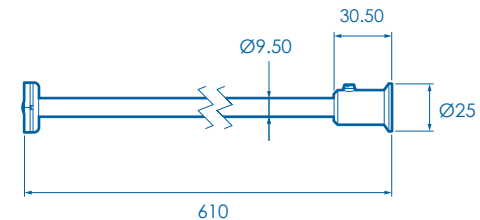
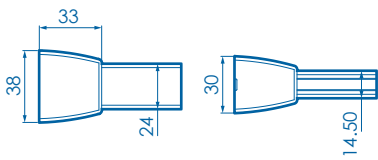
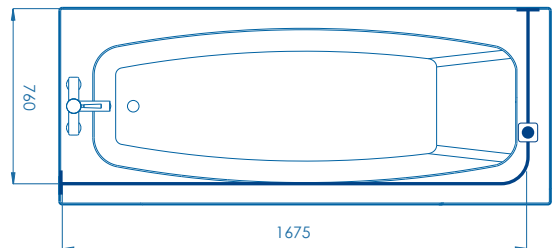
- A lightweight but strong aluminium rail system
- Pre-formed for perfect bends with a rigid 'H' section
- The system features a smooth running internal hook and glider system
- Supplied with twelve hooks and gliders for one shower curtain
- Rail size 24x14mm
- All fixings included
- Includes one ceiling support



PRODUCT CODE	FINISH	TUBE	RAIL	PACKAGING	DIMENSIONS (LxW)	PRICE
GP86701	White	-	24x14mm	Printed sleeve	1200x700mm	£35.67
GP86700	Silver	-	24x14mm	Printed sleeve	1200x700mm	£36.61

## PROFILE 800 L-SHAPED RAIL 1675mm

- A lightweight but strong aluminium rail system
- Pre-formed for perfect bends with a rigid 'H' section
- The system features a smooth running internal hook and glider system
- Supplied with twelve hooks and gliders for one shower curtain
- Rail size 24x14mm
- All fixings included
- Includes one ceiling support

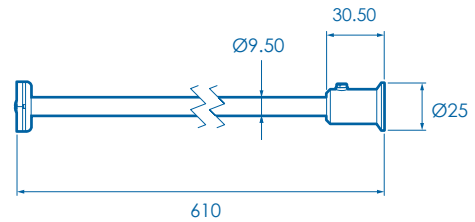
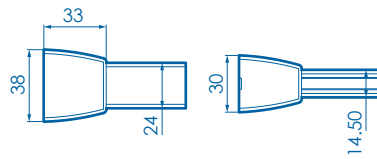
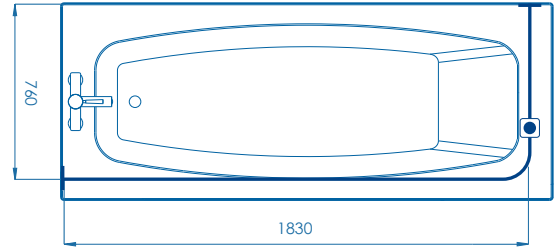


PRODUCT CODE	FINISH	TUBE	RAIL	PACKAGING	DIMENSIONS (LxW)	PRICE
GP85701	White	-	24x14mm	Printed sleeve	760x1675mm	£38.02
GP85700	Silver	-	24x14mm	Printed sleeve	760x1675mm	£38.96
AD200441	Chrome	-	24x14mm	Printed sleeve	760x1675mm	£42.24

# Rods and Rails – Professional

## PROFILE 800 L-SHAPED RAIL 1830mm

- A lightweight but strong aluminium rail system
- Pre-formed for perfect bends with a rigid 'H' section
- The system features a smooth running internal hook and glider system
- Supplied with twelve hooks and gliders for one shower curtain
- Rail size 24x14mm
- All fixings included
- Includes one ceiling support



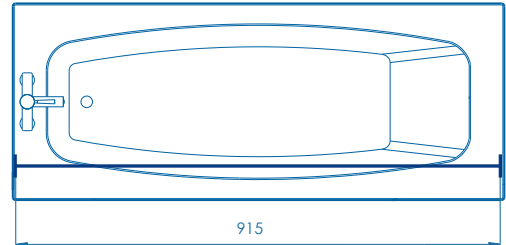
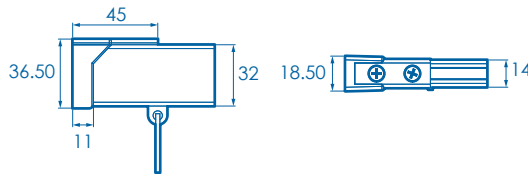
PRODUCT CODE	FINISH	TUBE	RAIL	PACKAGING	DIMENSIONS (LxW)	PRICE
GP85801	White	-	24x14mm	Printed sleeve	760x1830mm	£39.90
GP85800	Silver	-	24x14mm	Printed sleeve	760x1830mm	£40.84



# Rods and Rails – Professional

## PROFILE 400 STRAIGHT RAIL 915mm

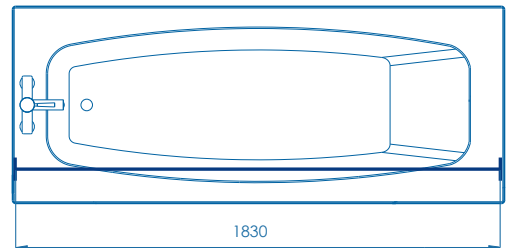
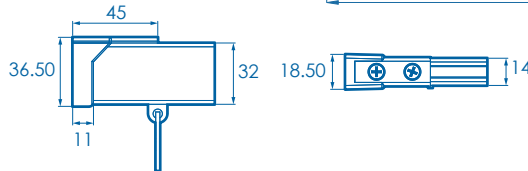
- An ultra strong aluminium rail system
- Pre-formed for perfect joint free bends with a rigid box section
- The system features a smooth running internal hook and glider system
- Rail size 32x14mm
- Supplied with twelve hooks and gliders
- All fixings included



PRODUCT CODE	FINISH	TUBE	LENGTH	RAIL	PACKAGING	PRICE
GP81100	Silver	-	915mm	32x14mm	Printed Sleeve	£20.18

## PROFILE 400 STRAIGHT RAIL 1830mm

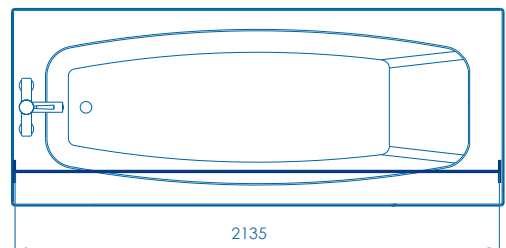
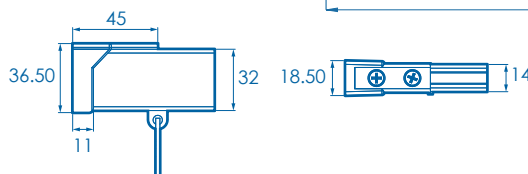
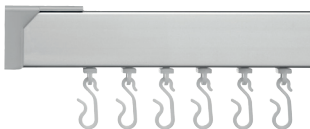
- An ultra strong aluminium rail system
- Pre-formed for perfect joint free bends with a rigid box section
- The system features a smooth running internal hook and glider system
- Rail size 32x14mm
- Supplied with twelve hooks and gliders
- All fixings included



PRODUCT CODE	FINISH	TUBE	LENGTH	RAIL	PACKAGING	PRICE
GP81200	Silver	-	1830mm	32x14mm	Printed Sleeve	£30.97

## PROFILE 400 STRAIGHT RAIL 2135mm

- An ultra strong aluminium rail system
- Pre-formed for perfect joint free bends with a rigid box section
- The system features a smooth running internal hook and glider system
- Rail size 32x14mm.
- Supplied with twelve hooks and gliders
- All fixings included

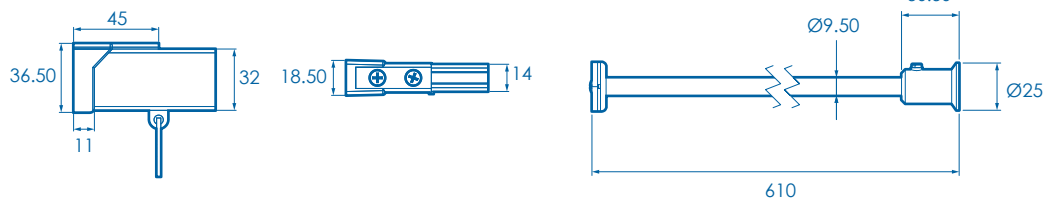
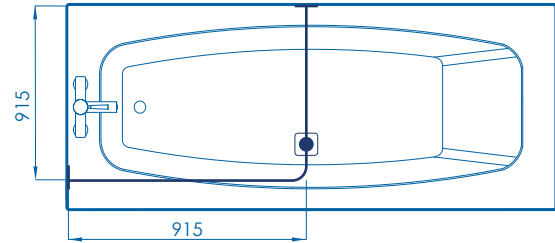


PRODUCT CODE	FINISH	TUBE	LENGTH	RAIL	PACKAGING	PRICE
GP81300	Silver	-	2135mm	32x14mm	Printed Sleeve	£33.79

# Rods and Rails – Professional

## PROFILE 400 L-SHAPED RAIL 915mm

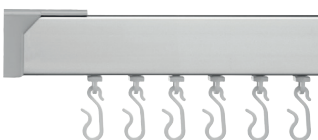
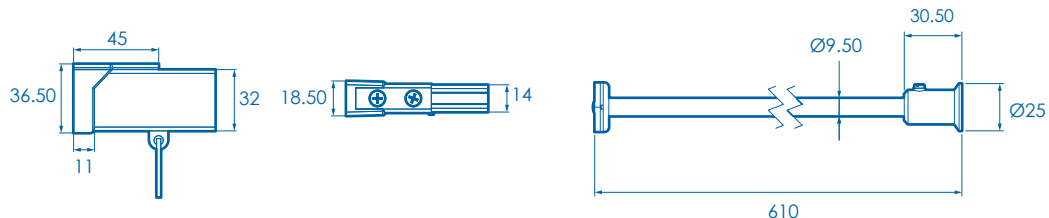
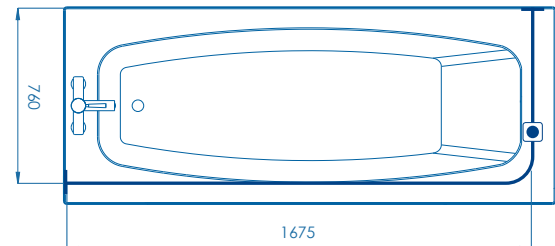
- An ultra strong aluminium rail system
- Pre-formed for perfect joint free bends with a rigid box section
- The system features a smooth running internal hook and glider system
- Rail size 32x14mm
- Supplied with twelve hooks and gliders
- All fixings included
- Includes one ceiling support



PRODUCT CODE	FINISH	TUBE	RAIL	PACKAGING	DIMENSIONS (LxW)	PRICE
GP81600	Silver	-	32x14mm	Hanging bag with header card and euro slot	915x915mm	£37.56

## PROFILE 400 L-SHAPED RAIL 1675mm

- An ultra strong aluminium rail system
- Pre-formed for perfect joint free bends with a rigid box section
- The system features a smooth running internal hook and glider system
- Rail size 32x14mm
- Supplied with twelve hooks and gliders
- All fixings included
- Includes one ceiling support

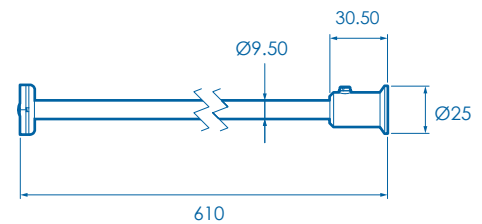
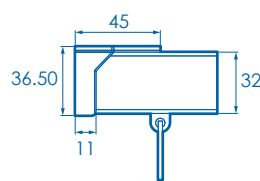
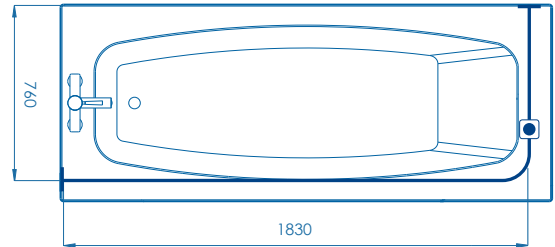


PRODUCT CODE	FINISH	TUBE	RAIL	PACKAGING	DIMENSIONS (LxW)	PRICE
GP81700	Silver	-	32x14mm	Hanging bag with header card and euro slot	760x1675mm	£44.60

# Rods and Rails – Professional

## PROFILE 400 L-SHAPED RAIL 1830mm

- An ultra strong aluminium rail system
- Pre-formed for perfect joint free bends with a rigid box section
- The system features a smooth running internal hook and glider system
- Rail size 32x14mm
- Supplied with twelve hooks and gliders
- All fixings included
- Includes one ceiling support



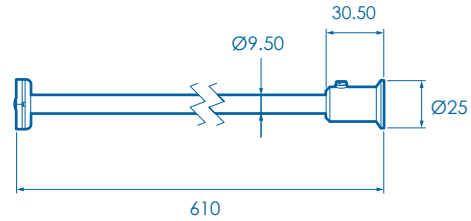
PRODUCT CODE	FINISH	TUBE	RAIL	PACKAGING	DIMENSIONS (LxW)	PRICE
GP81800	Silver	-	32x14mm	Hanging bag with header card and euro slot	760x1830mm	£46.47



# Rods and Rails – Professional

## CEILING SUPPORT 610mm

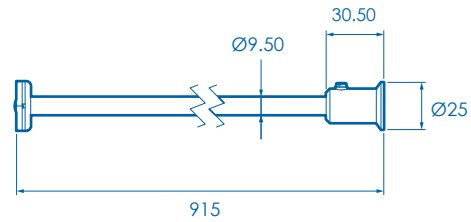
- Additional ceiling supports
- May be required with some configurations of the Profile 400 and 800 rails
- Can be used as standard or cut to size



PRODUCT CODE	FINISH	TUBE	LENGTH	RAIL	PACKAGING	PRICE
GP98801	White	-	610mm	-	Hanging bag with header card and euro slot	£10.31
GP98800	Silver	-	610mm	-	Hanging bag with header card and euro slot	£10.79
AD201541	Chrome	-	610mm	-	Hanging bag with header card and euro slot	£14.07

## CEILING SUPPORT 915mm

- Additional ceiling supports
- May be required with some configurations of the Profile 400 and 800 rails
- Can be used as standard or cut to size

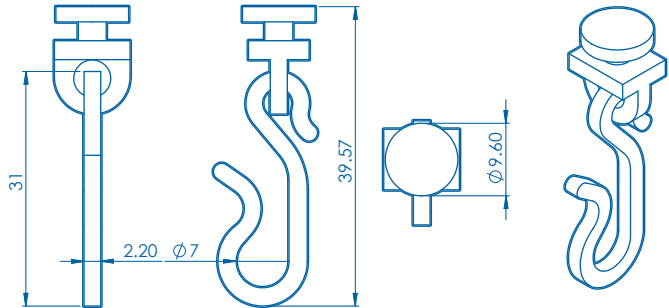


PRODUCT CODE	FINISH	TUBE	LENGTH	RAIL	PACKAGING	PRICE
GP98701	White	-	915mm	-	Hanging bag with header card and euro slot	£12.20
GP98700	Silver	-	915mm	-	Hanging bag with header card and euro slot	£12.66
AD201441	Chrome	-	915mm	-	Hanging bag with header card and euro slot	£15.95

# Rods and Rails – Made-to-Measure Rails

## HOOK AND GLIDER PACK

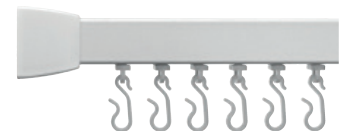
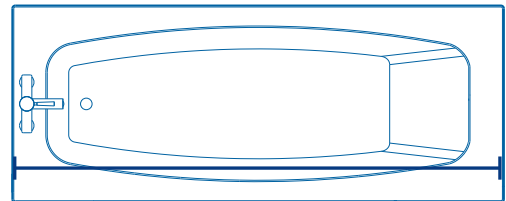
- Suitable for use with both Profile 400 and 800 rails where more than one shower curtain is required
- Includes twelve hook and gliders



PRODUCT CODE	FINISH	TUBE	LENGTH	RAIL	PACKAGING	PRICE
GP98900	White	-	-	-	Hanging bag with header card and euro slot	£7.02

## MADE-TO-MEASURE STRAIGHT RAIL

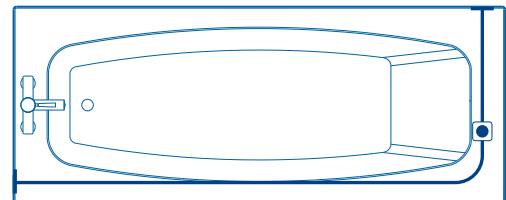
- Select from our range of made-to-measure rails and rail accessories to create a bespoke rail for your bathroom
- Simply choose either the Profile 400 or 800 rail in white or silver, or the profile 800 rail in white, silver or chrome effect
- Pick your configuration, provide the required measurements and let us do the rest
- Rails are supplied with twelve hooks and gliders for one shower curtain



PRODUCT CODE	FINISH	TUBE	RAIL	PACKAGING	DIMENSIONS (LxW)	PRICE
SPECRAILS	Silver/White/Chrome	-	-	Printed sleeve	24-32x14mm	£38.49

## MADE-TO-MEASURE L-SHAPED RAIL

- Select from our range of made-to-measure rails and rail accessories to create a bespoke rail for your bathroom
- Simply choose either the Profile 400 or 800 rail in white or silver, or the profile 800 rail in white, silver or chrome effect
- Pick your configuration, provide the required measurements and let us do the rest
- Rails are supplied with twelve hooks and gliders for one shower curtain
- Includes one ceiling support

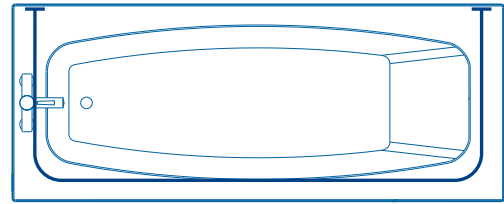


PRODUCT CODE	FINISH	TUBE	RAIL	PACKAGING	DIMENSIONS (LxW)	PRICE
SPECRAILL	Silver/White/Chrome	-	-	Printed sleeve	24-32x14mm	£48.35

# Rods and Rails – Made-to-Measure Rails

## MADE-TO-MEASURE U-SHAPED RAIL

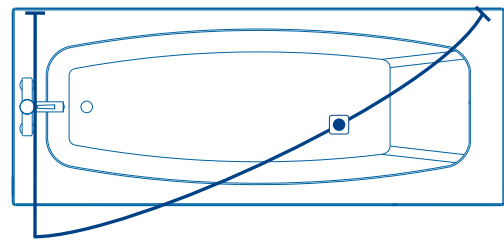
- Select from our range of made-to-measure rails and rail accessories to create a bespoke rail for your bathroom
- Simply choose either the Profile 400 or 800 rail in white or silver, or the profile 800 rail in white, silver or chrome effect
- Pick your configuration, provide the required measurements and let us do the rest
- Rails are supplied with twelve hooks and gliders for one shower curtain
- Includes two ceiling support



PRODUCT CODE	FINISH	TUBE	RAIL	PACKAGING	DIMENSIONS (LxW)	PRICE
SPECRAILU	Silver/White/Chrome	-	-	Printed sleeve	24-32x14mm	£59.15

## MADE-TO-MEASURE OFF SET RAIL

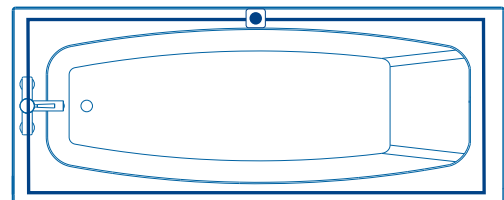
- Select from our range of made-to-measure rails and rail accessories to create a bespoke rail for your bathroom
- Simply choose either the Profile 400 or 800 rail in white or silver, or the profile 800 rail in white, silver or chrome effect
- Pick your configuration, provide the required measurements and let us do the rest
- Rails are supplied with twelve hooks and gliders for one shower curtain
- Includes two ceiling support



PRODUCT CODE	FINISH	TUBE	RAIL	PACKAGING	DIMENSIONS (LxW)	PRICE
SPECRAILA	Silver/White/Chrome	-	-	Printed sleeve	24-32x14mm	£49.29

## MADE-TO-MEASURE RECTANGULAR RAIL

- Select from our range of made-to-measure rails and rail accessories to create a bespoke rail for your bathroom
- Simply choose either the Profile 400 or 800 rail in white or silver, or the profile 800 rail in white, silver or chrome effect
- Pick your configuration, provide the required measurements and let us do the rest
- Rails are supplied with twelve hooks and gliders for one shower curtain
- Includes two ceiling support



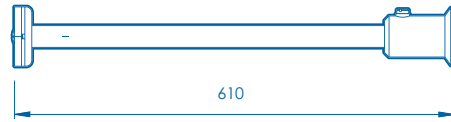
PRODUCT CODE	FINISH	TUBE	RAIL	PACKAGING	DIMENSIONS (LxW)	PRICE
SPECRAILR	Silver/White/Chrome	-	-	Printed sleeve	24-32x14mm	£89.21



# Rods and Rails – Made-to-Measure Rails

## CEILING SUPPORT

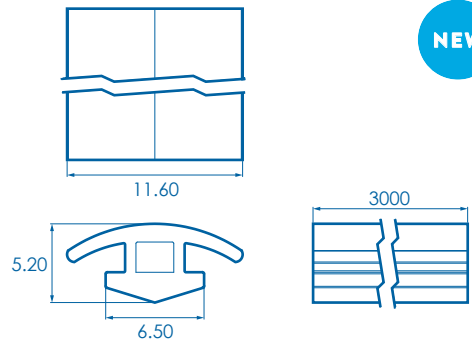
- May be required with some configurations of the Profile 400 and 800 rails
- Can be used as standard or cut to size



PRODUCT CODE	FINISH	TUBE	RAIL	PACKAGING	DIMENSIONS (LXW)	PRICE
SPECRAILC	Silver/White	-	-	Hanging bag with header card and euro slot	24-32x14mm	£14.35

## THREE METRE DUST COVER KIT

- Prevents dust from gathering in the upper section of Profile 400 and 800 rails
- Can be trimmed to desired length



PRODUCT CODE	FINISH	TUBE	RAIL	PACKAGING	DIMENSIONS (LXW)	PRICE
GPO0001	Silver/White	-	-	Polybag with header card	3000x12x5mm	£5.00





# Shower Curtains and Rings

Keeping your bathroom looking fresh and clean while also adding a touch of character is easy with Croydex's range of shower curtains. Croydex is a leading supplier in the UK and provides a range of designs, all made to the highest quality.

SHOWER CURTAINS AND RINGS



# Shower Curtains

Our comprehensive range of shower curtains includes products made from a number of different materials. The material used to manufacture a shower curtain can affect how it looks and feels, the service you can expect it to provide and how it should be cared for.

So that you can choose the curtain that is best suited to your needs and care for it in a way that will ensure it always looks as good as the day it was first hung, the following information may be useful.

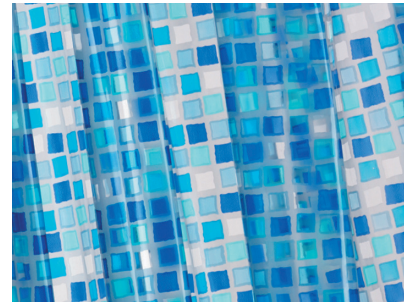
## VINYL SHOWER CURTAINS

Vinyl shower curtains are 100% waterproof. The sides and bottom of all our vinyl curtains are cut rather than sewn and the eyelets are welded. These curtains can be wiped clean with a damp cloth and hung out to dry; they cannot be machine washed, dry-cleaned, tumble dried or ironed.

Our range of vinyl curtains are made from the following material:

### PVC – POLYVINYL CHLORIDE

PVC is a fully waterproof material which is both soft and strong. Designs featuring a clear background are generally printed on a PVC base sheet as this effect can easily be achieved using this material.



## TEXTILE SHOWER CURTAINS

Textile shower curtains are water-resistant. The 100% polyester fabric is made water-resistant by the addition of an acrylic coating that we call Proseal®. The sides, top and bottom of our textile curtains are neatly hemmed and the bottom hem includes a weight to ensure that the curtain hangs straight and does not cling to the user when wet. The eyelets are reinforced with a corrosion-resistant metal to give a smart finish. All textile curtains can be machine washed at 40°C and pressed with a cool iron.

Our range of textile curtains are all manufactured from 100% polyester and they can be broadly divided into the following headings:

### PLAIN AND PATTERNED FABRIC

With their water-resistant Proseal® coating, all plain and printed shower curtains from Croydex are 100% polyester and create an effective water resistant barrier in the bath or shower. A made-to-measure service is available on selected plain curtains providing a variety of sizes made to order.

### HOOK 'N' HANG

Our hookless shower curtains are made from 100% polyester fabric and come complete with twelve heavy duty split plastic eyelets for fast and easy installation, so there is no need to buy separate shower curtain hooks.



Scan the QR code to view our Hook'n'Hang demonstration video or visit [www.croydex.com](http://www.croydex.com)

## FEATURES KEY

Products marked with this icon include this feature:



### HYGIENE 'N' CLEAN

This treatment helps reduce or prevent the growth of germs on products carrying the Hygiene 'n' Clean logo, keeping them fresher, safer and more hygienic than similar untreated products.

Protects against:

- E-Coli
- MRSA
- Odours
- Mould & Mildew
- Listeria
- Salmonella
- Staining

## Shower Curtains – Vinyl

### SILVER MOSAIC PVC SHOWER CURTAIN

- Fully waterproof material
- Easy to clean
- Ready to hang with twelve tear-resistant eyelets



PRODUCT CODE	MATERIAL	PACKAGING	DIMENSIONS (DROPxW)	PRICE
AE543440	PVC	Polybag with C Hook	1800x1800mm	£14.07

### BLUE MOSAIC PVC SHOWER CURTAIN

- Fully waterproof material
- Easy to clean
- Ready to hang with twelve tear-resistant eyelets



PRODUCT CODE	MATERIAL	PACKAGING	DIMENSIONS (DROPxW)	PRICE
AE543424	PVC	Polybag with C Hook	1800x1800mm	£14.07

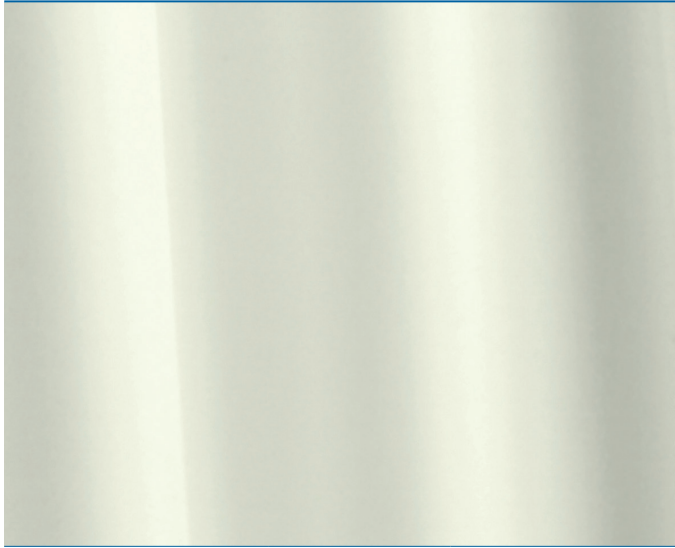
### PLAIN WHITE PVC SHOWER CURTAIN

- Fully waterproof material
- Easy to clean
- Ready to hang with twelve tear-resistant eyelets



PRODUCT CODE	MATERIAL	PACKAGING	DIMENSIONS (DROPxW)	PRICE
AE100022	PVC	Polybag with C Hook	1800x1800mm	£9.38

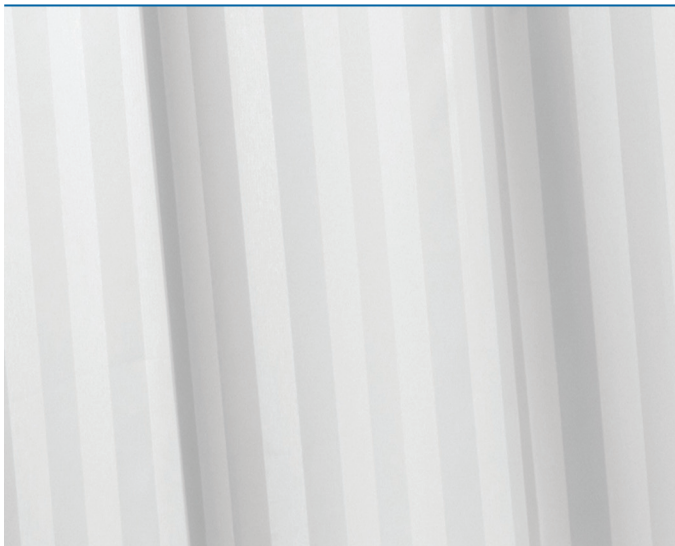
## Shower Curtains – Textile/PVC



### PLAIN IVORY PVC SHOWER CURTAIN

- Fully waterproof material
- Easy to clean
- Ready to hang with twelve tear-resistant eyelets

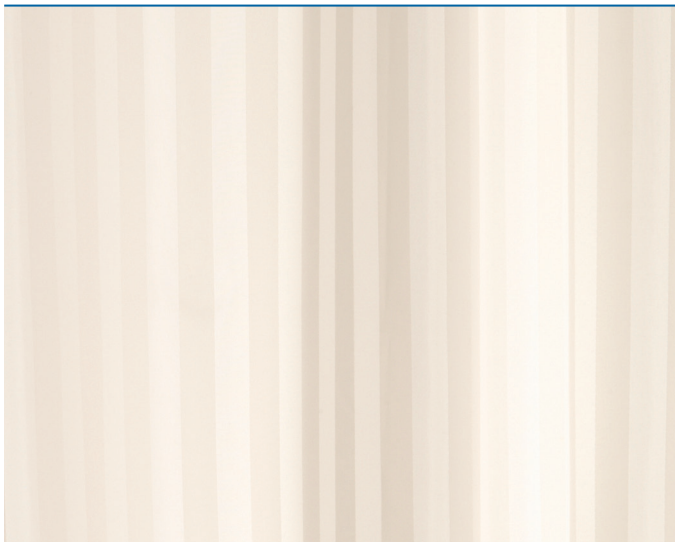
PRODUCT CODE	MATERIAL	PACKAGING	DIMENSIONS (DROPxW)	PRICE
AE100017	PVC	Polybag with C Hook	1800x1800mm	£9.38



### WHITE WOVEN STRIPE TEXTILE SHOWER CURTAIN

- Water-resistant fabric
- Machine washable
- Cling-resistant weighted hem
- Ready to hang with twelve corrosion-resistant metal eyelets
- 100% Polyester
- 16 g/m Standard hem weight available

PRODUCT CODE	MATERIAL	PACKAGING	DIMENSIONS (DROPxW)	PRICE
AF286122	Textile	Polybag with C Hook	1800x1800mm	£20.65



### IVORY WOVEN STRIPE TEXTILE SHOWER CURTAIN

- Water-resistant fabric
- Machine washable
- Cling-resistant weighted hem
- Ready to hang with twelve corrosion-resistant metal eyelets
- 100% Polyester
- 16 g/m Standard hem weight available

PRODUCT CODE	MATERIAL	PACKAGING	DIMENSIONS (DROPxW)	PRICE
AF286117	Textile	Polybag with C Hook	1800x1800mm	£20.65

## Shower Curtains – Textile

### PLAIN WHITE TEXTILE SHOWER CURTAIN

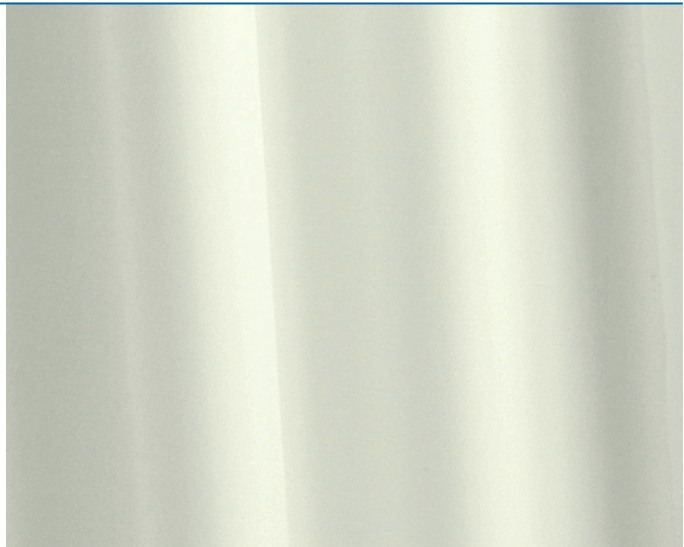
- Water-resistant fabric
- Machine washable
- Cling-resistant weighted hem
- Ready to hang with twelve corrosion-resistant metal eyelets
- Co-ordinating bath mats available
- 100% Polyester
- 16 g/m Standard hem weight available



PRODUCT CODE	MATERIAL	PACKAGING	DIMENSIONS (DROPxW)	PRICE
AF159022	Textile	Polybag with C Hook	1800x1800mm	£14.07

### PLAIN IVORY TEXTILE SHOWER CURTAIN

- Water-resistant fabric
- Machine washable
- Cling-resistant weighted hem
- Ready to hang with twelve corrosion-resistant metal eyelets
- Co-ordinating bath mats available
- 100% Polyester
- 16 g/m Standard hem weight available



PRODUCT CODE	MATERIAL	PACKAGING	DIMENSIONS (DROPxW)	PRICE
AF159017	Textile	Polybag with C Hook	1800x1800mm	£14.07

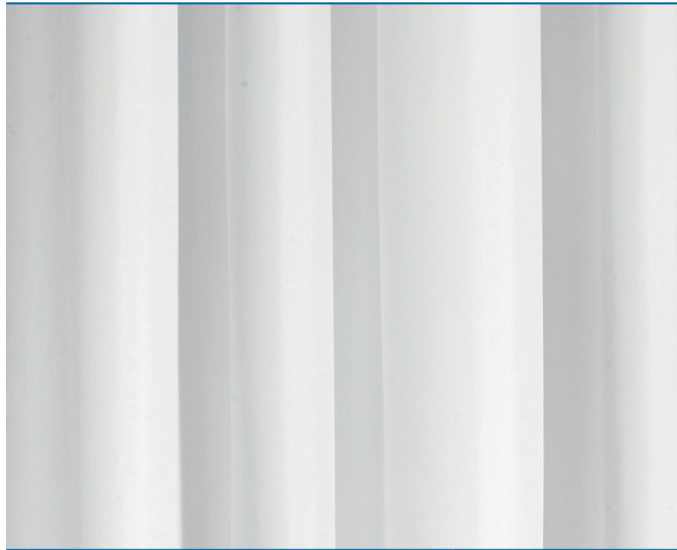
### PLAIN LIGHT BLUE TEXTILE SHOWER CURTAIN

- Water-resistant fabric
- Machine washable
- Cling-resistant weighted hem
- Ready to hang with twelve corrosion-resistant metal eyelets
- Co-ordinating bath mats available
- 100% Polyester
- 16 g/m Standard hem weight available



PRODUCT CODE	MATERIAL	PACKAGING	DIMENSIONS (DROPxW)	PRICE
AF159084	Textile	Polybag with C Hook	1800x1800mm	£14.07

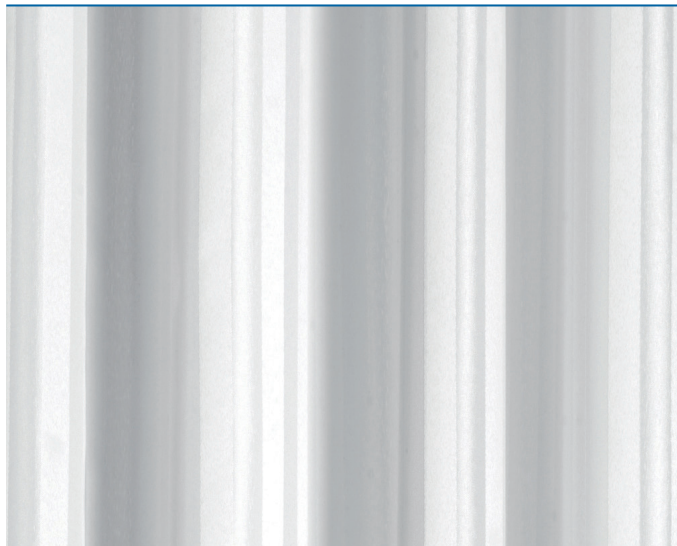
## Shower Curtains – Textile



### WHITE TEXTILE HOOK'N'HANG SHOWER CURTAIN

- Water-resistant fabric
- Machine washable
- Cling-resistant weighted hem
- Ready to hang with twelve heavy duty split plastic eyelets
- No need for curtain hooks
- Use with either round or oval profile rails
- 100% Polyester
- 16 g/m Standard hem weight available

PRODUCT CODE	MATERIAL	PACKAGING	DIMENSIONS (DROPxW)	PRICE
AF289022	Textile	Polybag with C Hook	1800x1800mm	£20.65



### WHITE REGENCY STRIPE TEXTILE HOOK'N'HANG SHOWER CURTAIN

- Water-resistant fabric
- Machine washable
- Cling-resistant weighted hem
- Ready to hang with twelve heavy duty split plastic eyelets
- No need for curtain hooks
- Use with either round or oval profile rails
- 100% Polyester
- 16 g/m Standard hem weight available

PRODUCT CODE	FINISH	PACKAGING	DIMENSIONS (DROPxW)	PRICE
AF289122	Textile	Polybag with C Hook	1800x1800mm	£20.65



### MADE TO MEASURE TEXTILE SHOWER CURTAIN

- Proseal® coated fabric gives excellent water repellency
- Machine washable
- Tear-resistant eyelets
- Available in any length up to 3000mm
- Curtains more than 1800mm wide will have a vertical join
- Curtains supplied with one eyelet per 150mm width
- 100% Polyester
- 14g/m (standard) or 50g/m (extra heavy) hem weights available

PRODUCT CODE	MATERIAL	PACKAGING	DIMENSIONS (DROPxW)	PRICE
SPECTNLRGW	Textile	Polybag with C Hook	(L)Max. 3000mm (W) 1800-3600mm	£40.37 *subject to quotation



## Shower Curtains – Textile

### HIGH PERFORMANCE WHITE

- Proseal® coated fabric gives excellent water repellency
- Machine washable
- Ready to hang with twelve corrosion-resistant metal eyelets
- Extra heavy cling-resistant weighted hem
- 100% Polyester
- 50g/m Standard hem weight available



PRODUCT CODE	MATERIAL	PACKAGING	QUALITY	DIMENSIONS (DROPxW)	PRICE
GP00801	Textile	Polybag with C Hook	1	1800x1800mm	£18.77
GP00851B	Textile	Polybag with C Hook	20	1800x1800mm	£295.87
GP85115	Textile	Polybag with C Hook	1	2000x1800mm	£24.40
GP85107	Textile	Polybag with C Hook	1	2000x2000mm	£28.16
GP85105B	Textile	Polybag with C Hook	20	2000x1800mm	£389.79
GP85108	Textile	Polybag with C Hook	1	2100x2100mm	£30.04

### MADE TO MEASURE TEXTILE SHOWER CURTAIN

- Proseal® coated fabric gives excellent water repellency
- Machine washable
- Tear-resistant eyelets
- Available in any length up to 3000mm
- Curtains more than 1800mm wide will have a vertical join
- Curtains supplied with one eyelet per 150mm width
- 100% Polyester
- 14g/m (standard) or 50g/m (extra heavy) hem weights available



PRODUCT CODE	MATERIAL	PACKAGING	DIMENSIONS (DROPxW)	PRICE
SPECTNSTDW	Textile	Polybag with C Hook	(L)Max. 3000mm (W) 900-1800mm	£27.22 *subject to quotation

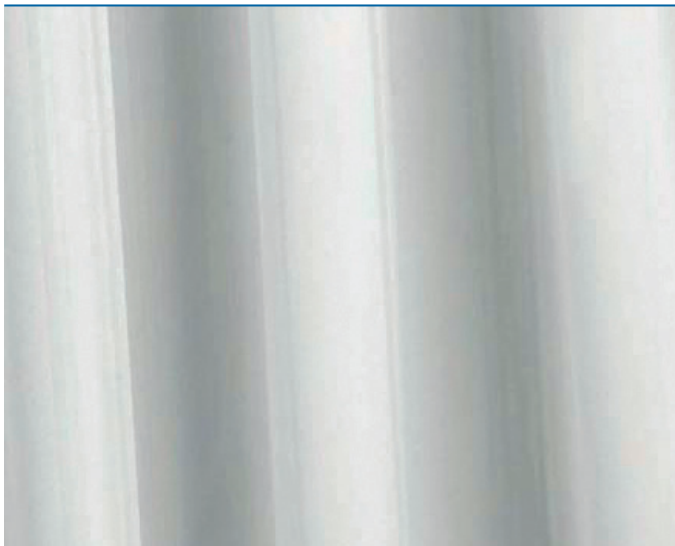
## Shower Curtains – Textile



### HIGH PERFORMANCE WHITE TEXTILE SHOWER CURTAIN

- Proseal® coated fabric gives excellent water repellency
- Machine washable
- Ready to hang with twelve corrosion-resistant metal eyelets
- Extra heavy cling-resistant weighted hem
- 100% Polyester
- 50g/m Standard hem weight available

PRODUCT CODE	MATERIAL	PACKAGING	DIMENSIONS (DROPxW)	PRICE
GP85106	Textile	Polybag with C Hook	2100x1800mm	£26.28

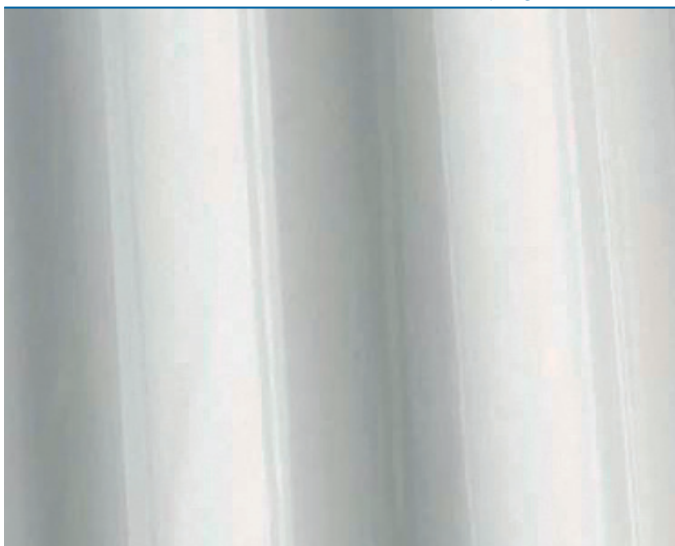


### HYGIENE'N'CLEAN PLAIN TEXTILE SHOWER CURTAIN

- Proseal® coated fabric gives excellent water repellency
- Machine washable
- Treated with Hygiene'N'Clean anti-microbial additive
- Ready to hang with twelve corrosion-resistant metal eyelets
- Extra heavy cling-resistant weighted hem
- 100% Polyester
- 33 g/m Standard hem weight available



PRODUCT CODE	MATERIAL	PACKAGING	DIMENSIONS (DROPxW)	PRICE
AF286822H	Textile	Polybag with C Hook	1800x1800mm	£20.65



### HYGIENE'N'CLEAN PLAIN TEXTILE SHOWER CURTAIN

NEW

- Water-resistant fabric
- Machine washable
- Treated with Hygiene'N'Clean anti-microbial additive
- Ready to hang with twelve corrosion-resistant metal eyelets
- Cling-resistant weighted hem
- 100% Polyester
- 33g/m Standard hem weight available

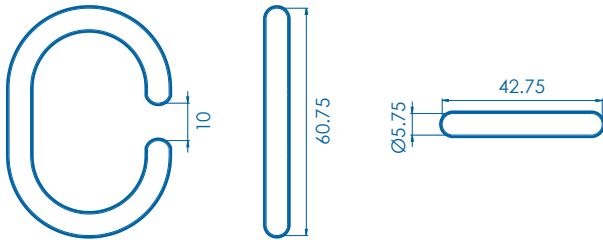


PRODUCT CODE	MATERIAL	PACKAGING	DIMENSIONS (DROPxW)	PRICE
AF289522H	Textile	Polybag with C Hook	2000x2000mm	£28.98

# Shower Curtains – Extras

## C SHAPE CURTAIN RING

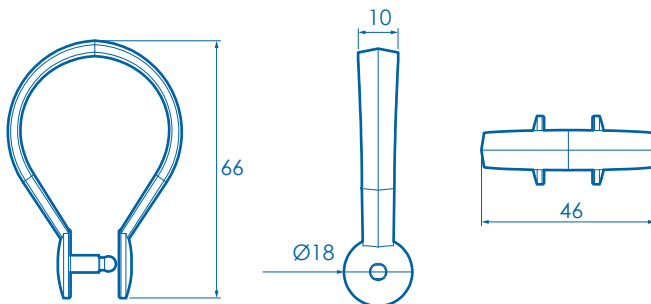
- Suitable for use with shower curtain rods up to 29mm in diameter
- Supplied in sets of 12 to use with one standard shower curtain



PRODUCT CODE	MATERIAL	PACKAGING	DIMENSIONS (HxWxD)	PRICE
AK142132	Clear	Polybag with C Hook	61x43x 6mm	£2.23
AK142122	White	Polybag with C Hook	61x43x 6mm	£2.23
AK142141	Chrome	Polybag with C Hook	61x43x 6mm	£2.80

## BUTTON CURTAIN RING

- Suitable for use with shower curtain rods up to 33mm in diameter
- Supplied in sets of 12 to use with one standard shower curtain

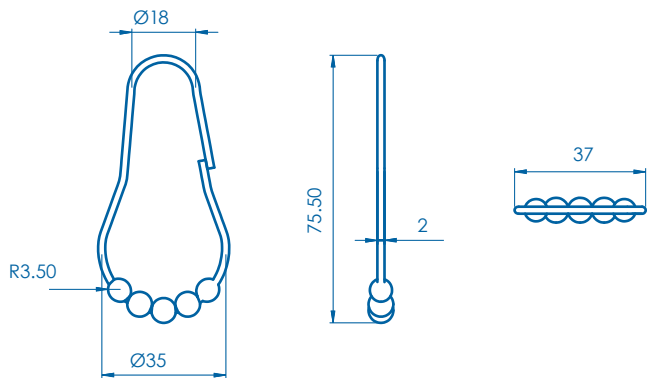


PRODUCT CODE	MATERIAL	PACKAGING	DIMENSIONS (HxWxD)	PRICE
AK142232	Clear	Polybag with C Hook	62x42x6mm	£3.27
AK142222	White	Polybag with C Hook	62x42x6mm	£3.27

## Shower Curtains – Extras

### BALL RING

- Suitable for use with shower curtain rods up to 29mm in diameter
- Supplied in sets of 12 to use with one standard shower curtain



PRODUCT CODE	MATERIAL	PACKAGING	DIMENSIONS (DROPxW)	PRICE
AK141641	Chrome	Polybag with C Hook	75x 37x 3mm	£9.38







# Showers and Shower Accessories

Croydex's extensive collection includes everything from overhead showers to adjustable wall brackets and boasts both attractive styling and reliability. So why not choose from this impressive selection of products to refresh and rejuvenate your bathroom.



SHOWER AND  
SHOWER  
ACCESSORIES



# Water Label and Water Efficient Handsets

The European Water Label is a voluntary scheme and is open to all companies who manufacture or sell products in the UK that meet the criteria. The Bathroom Manufacturer's Association (BMA), the lead trade association for manufacturers of products in the UK is the facilitator of this scheme.

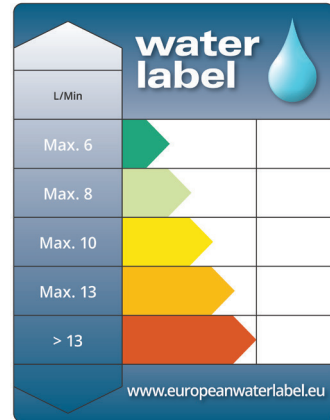
Croydex have been actively selling water efficient shower accessories for many years and have now been recognised by the BMA with several of its water efficient shower handsets now included in the Water Label.

Offering the latest water-saving technology, each of the handsets included in the Water Label feature

Croydex's innovative Eco Function. The optional water saving device reduces water usage by up to 50% compared to flow rates through the hand shower without it fitted. Simple to fit, the device is inserted into the handset or showerhead during installation and can be removed as and when required. It can be used in conjunction with most systems, excluding electric showers.

Modern bathroom fittings are designed to be more water efficient without compromising performance.

Water efficient products will help your customers save water and save money on their energy bills because they are not heating so much water.



Look for this Water Label on featured products.



## WHAT IS THE WATER LABEL?

The Water Label enables customers across Europe to easily compare the amount of water different products use and make informed decisions that will save them water and money. Major DIY retailers, builders and plumbers' merchants and

manufacturers of bathroom products are committed to using the Water Label for all bathroom fittings.

Thousands of bathroom products are registered with the European Water Label. Once registered, products are given a Water Label

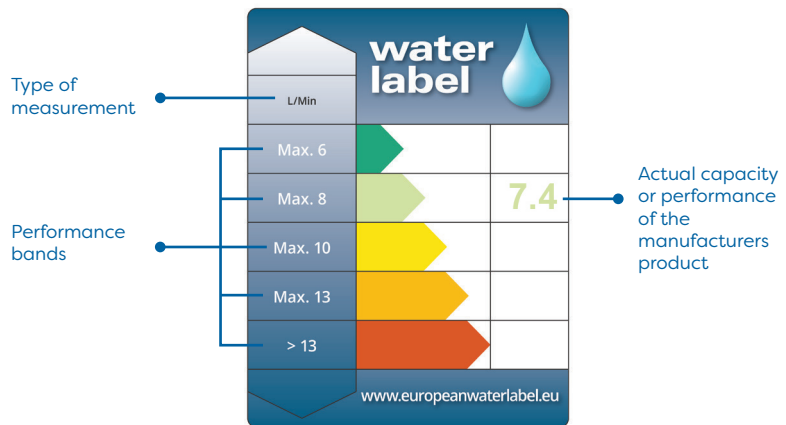
rating based on the manufacturers' product information.

You can look online to search for products already registered with the Water Label at [www.europeanwaterlabel.eu](http://www.europeanwaterlabel.eu) and click on 'Find a Product'.

## HOW THE LABEL WORKS

The Water Label shows the amount of water the product uses. Products are grouped into colour-coded performance bands depending on how much water they use. The smaller the arrow, the more water efficient the product with green being the most efficient.

Your customers will be familiar with the style of the labelling as it's similar to the energy labelling used on white goods (like fridges and washing machines) and electronic products.

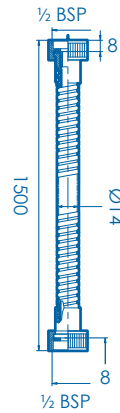




# Shower Hoses

## 1.5m FLEXTUBE STAINLESS STEEL HOSE

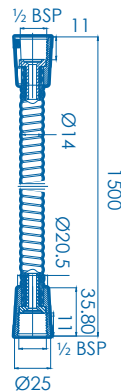
- Stainless steel shower hose with standard bore\*
- Two chrome plated brass knurled head nuts
- Suitable for use with most electric or mixer showers
- Universal 1/2" BSP connection



PRODUCT CODE	MATERIAL	PACKAGING	DIMENSIONS (L)	PRICE
AM123540	Stainless steel	Blister pack with euro slot	1500mm	£13.60

## 1.5m REINFORCED PVC SHOWER HOSE

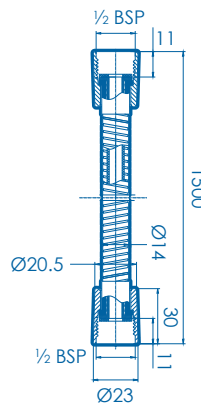
- Reinforced PVC shower hose with standard bore\*
- Two chrome plated ABS conical connectors
- Suitable for use with most electric or mixer showers
- Universal 1/2" BSP connection



PRODUCT CODE	MATERIAL	PACKAGING	DIMENSIONS (L)	PRICE
AM150822	White PVC	Blister pack with euro slot	1500mm	£15.48
AM150841	Chrome PVC	Blister pack with euro slot	1500mm	£15.48

## 1.5m REINFORCED STAINLESS STEEL SHOWER HOSE

- Reinforced stainless steel shower hose with standard bore\*
- Two chrome plated ABS conical fitments
- Suitable for use with most electric or mixer showers
- Universal 1/2" BSP connection

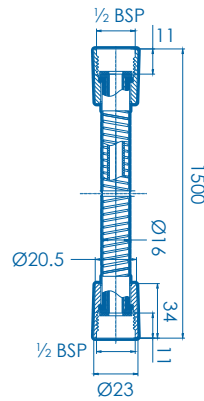


PRODUCT CODE	MATERIAL	PACKAGING	DIMENSIONS (L)	PRICE
AM163541	Stainless steel	Blister pack with euro slot	1500mm	£17.36

# Shower Hoses

## 1.5m REINFORCED STAINLESS STEEL SHOWER HOSE

- Reinforced stainless steel shower hose with high flow bore\*\*
- Two chrome plated ABS conical fittings
- Suitable for use with most electric or mixer showers
- Universal ½" BSP connection



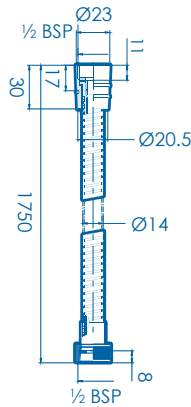
PRODUCT CODE	MATERIAL	PACKAGING	DIMENSIONS (L)	PRICE
AM550441	Stainless steel	Blister pack with euro slot	1500mm	£20.18



# Shower Hoses

## 1.75m REINFORCED STAINLESS STEEL SHOWER HOSE

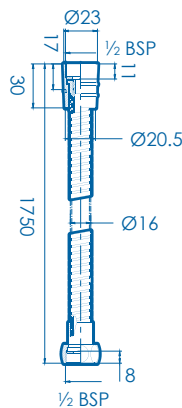
- Reinforced stainless steel shower hose with standard bore\*
- One chrome plated brass conical fitment and brass knurled nut
- Suitable for use with most electric or mixer showers
- Universal 1/2" BSP connection



PRODUCT CODE	MATERIAL	PACKAGING	DIMENSIONS (L)	PRICE
AM158941	Stainless steel	Blister pack with euro slot	1750mm	£19.24

## 1.75m REINFORCED STAINLESS STEEL SHOWER HOSE

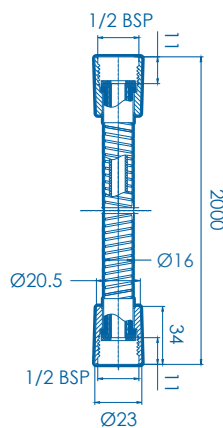
- Reinforced stainless steel shower hose with high flow bore\*\*
- One chrome plated brass conical fitment and brass knurled nut
- Suitable for use with most electric or mixer showers
- Universal 1/2" BSP connection



PRODUCT CODE	MATERIAL	PACKAGING	DIMENSIONS (L)	PRICE
AM163641	Stainless steel	Blister pack with euro slot	1750mm	£22.06

## 2m REINFORCED STAINLESS STEEL SHOWER HOSE

- Reinforced stainless steel shower hose with high flow bore\*\*
- Two chrome plated brass conical fitments
- Suitable for use with most electric or mixer showers
- Universal 1/2" BSP connection

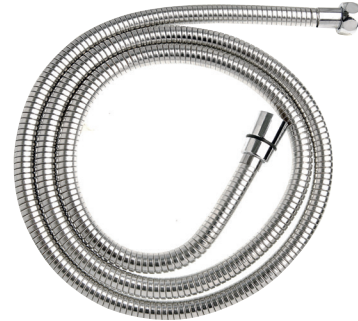
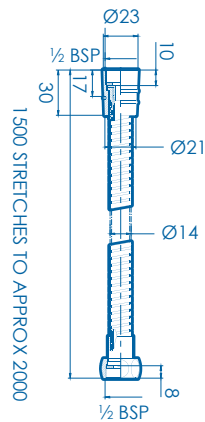


PRODUCT CODE	MATERIAL	PACKAGING	DIMENSIONS (L)	PRICE
AM550641	Stainless steel	Blister pack with euro slot	2000mm	£23.47

# Shower Hoses

## 1.5m STRETCH REINFORCED SHOWER HOSE

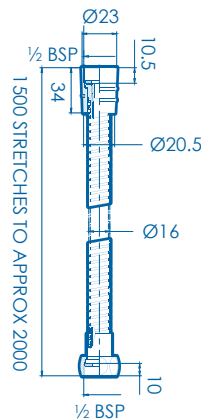
- Reinforced stretch shower hose with standard bore\*
- One chrome plated brass conical fitment and brass knurled nut
- Gives up to 40% extra length
- Suitable for use with most electric or mixer showers
- Universal  $\frac{1}{2}$ " BSP connection



PRODUCT CODE	MATERIAL	PACKAGING	DIMENSIONS (L)	PRICE
AM155941	Chrome Plated	Blister pack with euro slot	1500mm	£19.24

## 1.5m STRETCH REINFORCED SHOWER HOSE

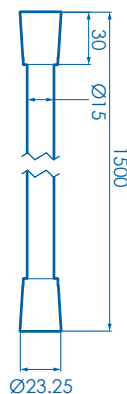
- Reinforced stretch shower hose with high flow bore\*\*
- One chrome plated brass conical fitment and brass knurled nut
- Gives up to 40% extra length
- Suitable for use with most electric or mixer showers
- Universal  $\frac{1}{2}$ " BSP connection



PRODUCT CODE	MATERIAL	PACKAGING	DIMENSIONS (L)	PRICE
AM156041	Chrome Plated	Blister pack with euro slot	1500mm	£22.06

## 1.5m AQUA FLEX SHOWER HOSE

- Plastic hose with chrome plated brass conical fitments and standard bore\*
- One fixed conical fitment and one anti-twist swivel conical fitment
- Supplied with an optional water saving device
- Universal  $\frac{1}{2}$ " BSP connection

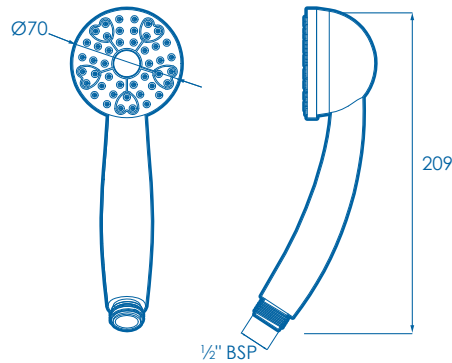


PRODUCT CODE	MATERIAL	PACKAGING	DIMENSIONS (L)	PRICE
AM172240	Silver/Chrome Plated	Full colour box	1500mm	£25.34

# Shower Handsets

## ONE FUNCTION SHOWER HANDSET

- One function handset with rub clean nozzles to help prevent the build up of limescale
- Comfort grip ergonomically designed handle
- Universal 1/2" BSP connection
- WRAS Approved
- Minimum operating pressure from 0.1 bar



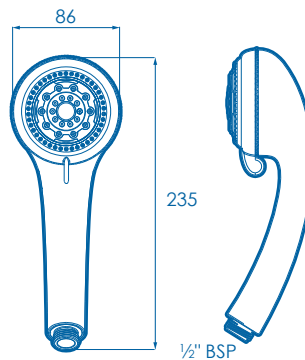
**water label** **21.4** L/Min



PRODUCT CODE	MATERIAL	PACKAGING	DIMENSIONS (HxW)	PRICE
AM153222	White Plastic	Blister pack with euro slot	209x70mm	£9.34
AM153241	Chrome Plastic	Blister pack with euro slot	209x70mm	£10.79

## THREE FUNCTION SHOWER HANDSET

- Three function handset with rub clean nozzles to help prevent the build up of limescale
- Not suitable for low pressure systems
- Universal 1/2" BSP connection
- WRAS Approved
- Minimum operating pressure from 0.1 bar



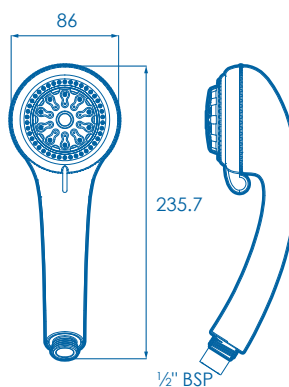
**water label** **15.8** L/Min



PRODUCT CODE	MATERIAL	PACKAGING	DIMENSIONS (HxW)	PRICE
AM150222	White Plastic	Blister pack with euro slot	235x86mm	£13.60
AM150241	Chrome Plastic	Blister pack with euro slot	235x86mm	£14.54

## FIVE FUNCTION SHOWER HANDSET

- Five function handset with rub clean nozzles to help prevent the build up of limescale
- Not suitable for low pressure systems
- Universal 1/2" BSP connection
- Minimum operating pressure from 0.1 bar



**water label** **23.1** L/Min

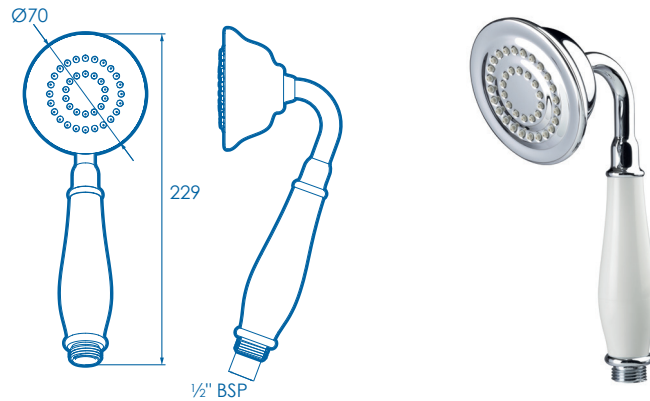


PRODUCT CODE	MATERIAL	PACKAGING	DIMENSIONS (HxW)	PRICE
AM150322	White Plastic	Blister pack with euro slot	253.7x86mm	£19.24
AM150341	Chrome Plastic	Blister pack with euro slot	253.7x86mm	£20.18

# Shower Handsets

## CLASSIC ONE FUNCTION SHOWER HANDSET

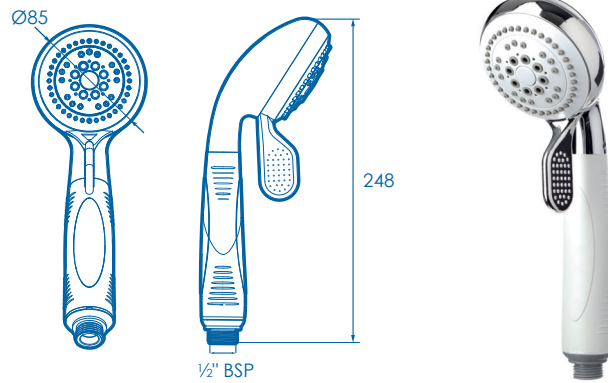
- One function classically styled handset
- Universal ½" BSP connection
- Minimum operating pressure from 0.1 bar



PRODUCT CODE	MATERIAL	PACKAGING	DIMENSIONS (HxW)	PRICE
AM169922	White Plastic/Chrome Plated	Blister pack with euro slot	229x70mm	£23.47

## INCLUSIVE FOUR FUNCTION SHOWER HANDSET - ECO

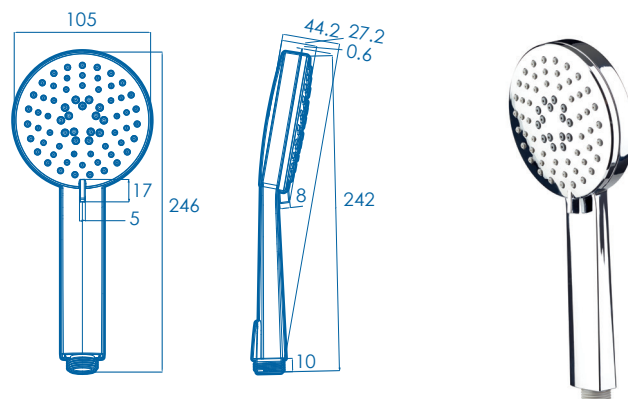
- 85mm Diameter four function handset with rub clean nozzles to help prevent the build up of limescale
- Tactile rubber handle for easier gripping
- Large lever makes switching functions easier
- Optional ECO feature which provides up to a 50% water saving
- Universal ½" BSP connection
- WRAS Approved
- Minimum operating pressure from 0.1 bar (flow regulators not fitted)



PRODUCT CODE	MATERIAL	PACKAGING	DIMENSIONS (HxW)	PRICE
AM151341	White Plastic/Chrome Plated	Blister pack with euro slot	248x85mm	£23.47

## MATRIX THREE FUNCTION SHOWER HANDSET

- 105mm Diameter three function handset with rub clean nozzles to help prevent the build up of limescale
- Optional ECO feature which provides up to a 50% water saving
- Chrome plated faceplate
- Universal ½" BSP connection
- WRAS Approved
- Minimum operating pressure from 0.1 bar (flow regulators not fitted)

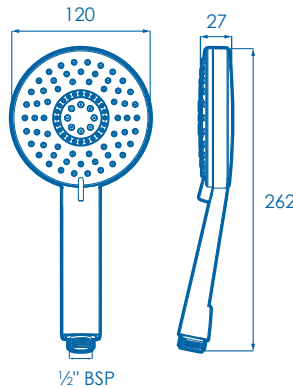


PRODUCT CODE	MATERIAL	PACKAGING	DIMENSIONS (HxW)	PRICE
AM170641	Chrome Plated	Blister pack with euro slot	242x105mm	£16.88

# Shower Handsets

## MATRIX FIVE FUNCTION SHOWER HANDSET

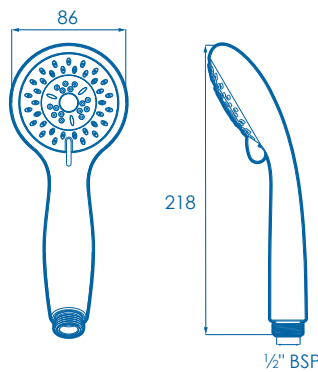
- Large 120mm diameter five function shower handset
- Optional ECO feature providing up to a 50% water saving
- Chrome plated faceplate
- Universal 1/2" BSP connection
- WRAS Approved
- Minimum operating pressure from 0.1 bar (flow regulators not fitted)



PRODUCT CODE	MATERIAL	PACKAGING	DIMENSIONS (HxW)	PRICE
AM170741	Chrome Plated	Blister pack with euro slot	262x120mm	£21.58

## CONTOUR MINI TWO FUNCTION SHOWER HANDSET

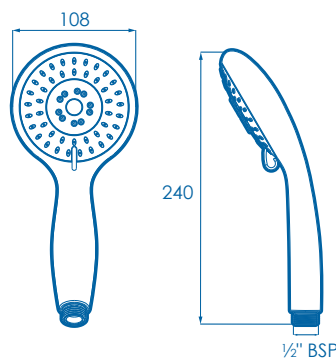
- 86mm Diameter two function handset with rub clean nozzles to help prevent the build up of limescale
- Optional ECO feature which provides up to a 50% water saving
- Universal 1/2" BSP connection
- Minimum operating pressure from 0.1 bar (flow regulators not fitted)



PRODUCT CODE	MATERIAL	PACKAGING	DIMENSIONS (HxW)	PRICE
AM163041	Chrome Plated/Grey Plastic	Blister pack with euro slot	218x86mm	£15.95

## CONTOUR MIDI THREE FUNCTION SHOWER HANDSET

- 108mm Diameter three function handset with rub clean nozzles to help prevent the build up of limescale
- Optional ECO feature which provides up to a 50% water saving
- Universal 1/2" BSP connection
- Minimum operating pressure from 0.1 bar (flow regulators not fitted)

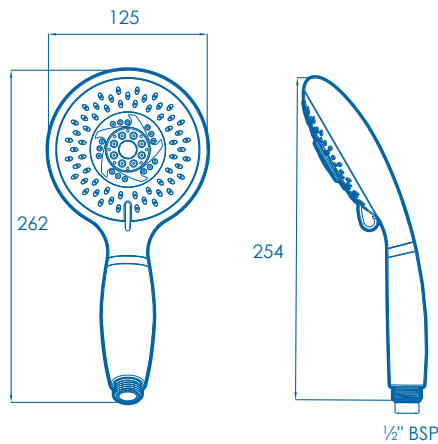


PRODUCT CODE	MATERIAL	PACKAGING	DIMENSIONS (HxW)	PRICE
AM163341	Chrome plated/grey plastic	Blister pack with euro slot	240x105mm	£18.77

# Shower Handsets

## CONTOUR MAXI FOUR FUNCTION SHOWER HANDSET

- Large 125mm diameter four function handset with rub clean nozzles to help prevent the build up of limescale
- Optional ECO feature which provides up to a 50% water saving
- Universal ½" BSP connection
- Minimum operating pressure from 0.1 bar (flow regulators not fitted)



6.7 L/Min



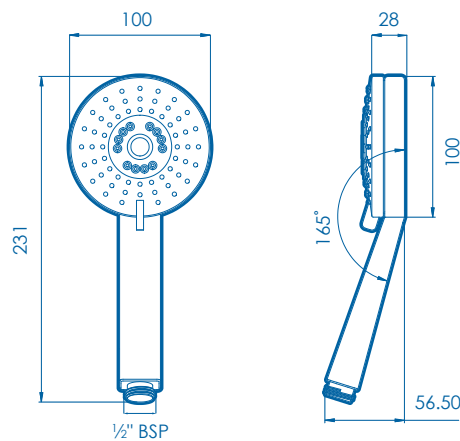
4 SPRAY PATTERNS



PRODUCT CODE	MATERIAL	PACKAGING	DIMENSIONS (HxW)	PRICE
AM157641	Chrome plated/grey plastic	Blister pack with euro slot	262x125mm	£23.47

## CARTER THREE FUNCTION SHOWER HANDSET

- Rain spray ABS handset with Aqua Air™ technology
- Pulse & combination spray
- Rub clean nozzles to help prevent the build up of limescale
- Supplied with an optional water saving device
- Universal ½" BSP connection
- 100mm Diameter
- Minimum operating pressure from 0.5 bar (flow regulators not fitted)



8 L/Min



3 SPRAY PATTERNS

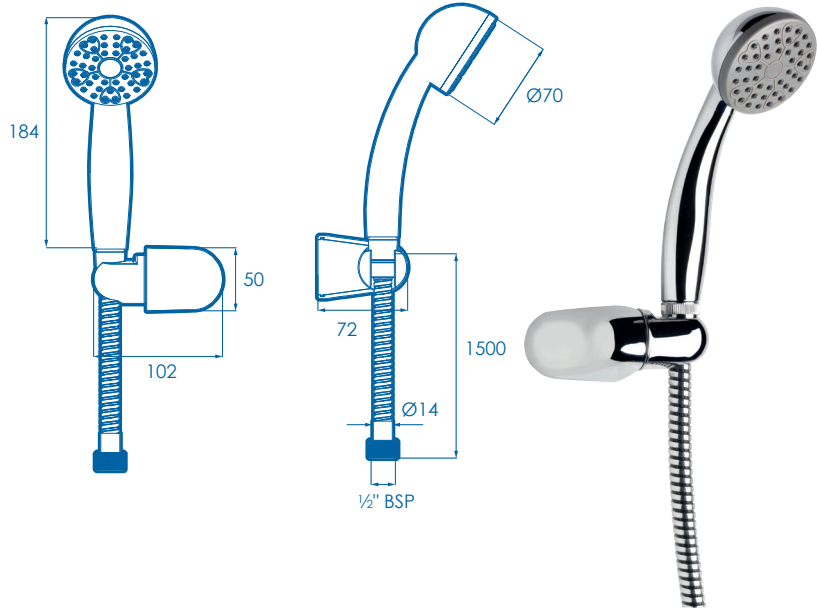
PRODUCT CODE	MATERIAL	PACKAGING	DIMENSIONS (HxW)	PRICE
AM171622	White ABS	Full colour box	262x125mm	£14.07
AM171641	Chrome ABS	Full colour box	262x125mm	£16.88



# Shower Sets

## ONE FUNCTION BATH AND SHOWER SET WITH BRACKET

- Complete shower set
- One function shower handset with rub clean nozzles to help prevent the build up of limescale
- 1500mm Stainless steel hose with high flow bore\*\*
- One chrome plated brass conical fitment and one brass knurled nut
- Multi-position wall bracket
- Universal 1/2" BSP connection
- Minimum operating pressure from 0.1 bar



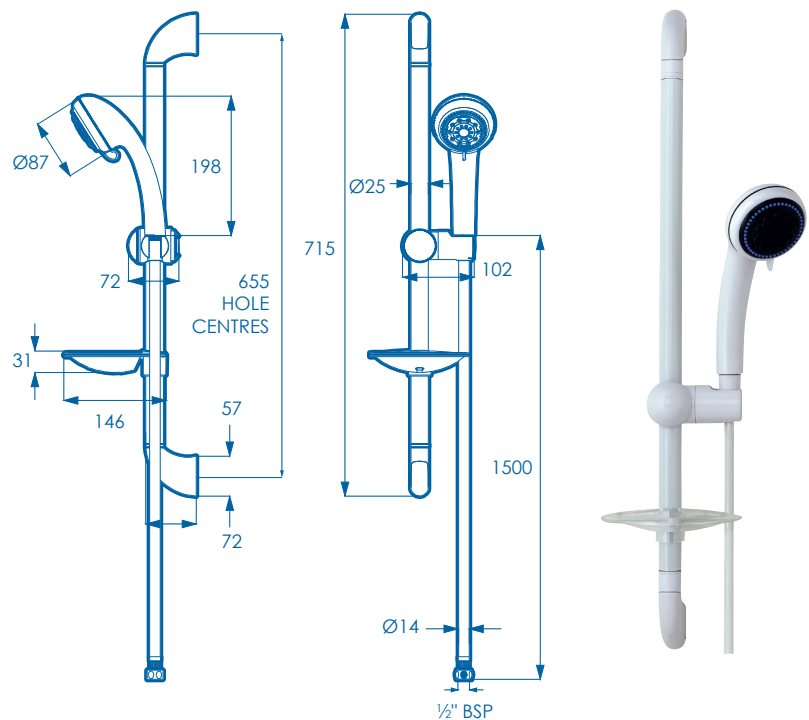
SHOWER AND SHOWER ACCESSORIES



PRODUCT CODE	MATERIAL	PACKAGING	DIMENSIONS (HxWxD)	PRICE
AM162041	Chrome Plated/ Grey Plastic/ Stainless Steel	Blister pack with euro slot	184x102x72mm	£28.16

## THREE FUNCTION SHOWER SET

- Complete shower set, three spray patterns
- 710mm Stainless steel riser rail
- ABS wall brackets in white/chrome
- Three function handset with rub clean nozzles to help prevent the build up of limescale
- Multi-position shower head adjustment
- 1500mm Heavy duty shower hose with standard bore\*
- One chrome plated ABS conical fitment and one brass knurled nut
- Universal 1/2" BSP connection
- Wall fixings included
- Minimum operating pressure from 0.1 bar

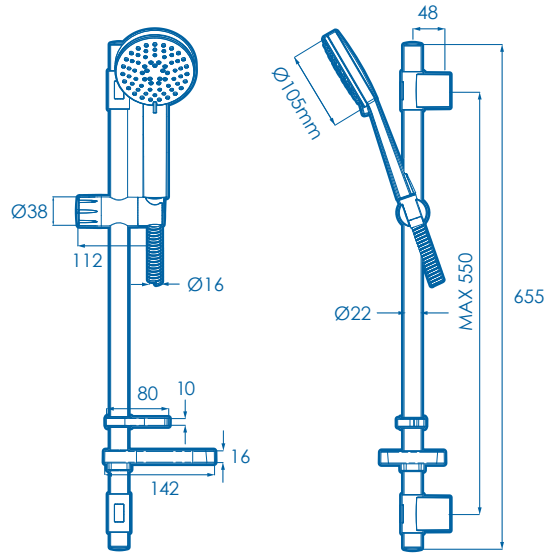


PRODUCT CODE	MATERIAL	PACKAGING	DIMENSIONS (HxWxD)	PRICE
AM150922	Powder coated white ABS	Blister pack with euro slot	715x102x146mm	£35.67
AM150941	Chrome Plated ABS	Blister pack with euro slot	715x102x146mm	£43.19

# Shower Sets

## MATRIX THREE FUNCTION SHOWER SET

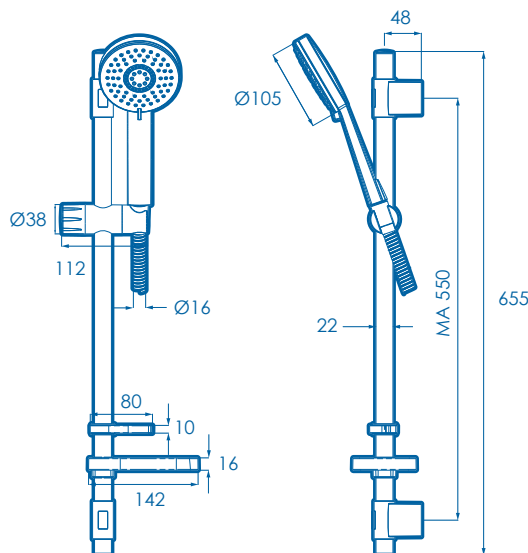
- 105mm Diameter handset
- Three spray functions
- 655mm Vari-Fit riser rail allows existing screw holes to be re-used providing they are no more than 550mm apart
- Shower handset with rub clean nozzles
- Multi-position shower head adjustment
- Extra strong 1500mm stainless steel hose with high flow bore\*\*
- Two chrome plated brass conical fitments
- Wall fixings included
- Hose and handset WRAS approved
- Minimum operating pressure from 0.1 bar (flow regulators not fitted)



PRODUCT CODE	MATERIAL	PACKAGING	DIMENSIONS (HxWxD)	PRICE
AM173641	Chrome Plated ABS/ Stainless Steel	Blister pack with euro slot	655x 142x80mm	£59.15

## MATRIX FIVE FUNCTION SHOWER SET

- 120mm Diameter handset
- Five spray functions
- 655mm Flexi-Fit riser rail allows existing screw holes to be re-used providing they are no more than 550mm apart
- Shower handset with rub clean nozzles
- Multi-position shower head adjustment
- Extra strong 1500mm stainless steel hose with high flow bore\*\*
- Two brass conical fitments
- Hose and handset WRAS approved
- Minimum operating pressure from 0.1 bar (flow regulators not fitted)

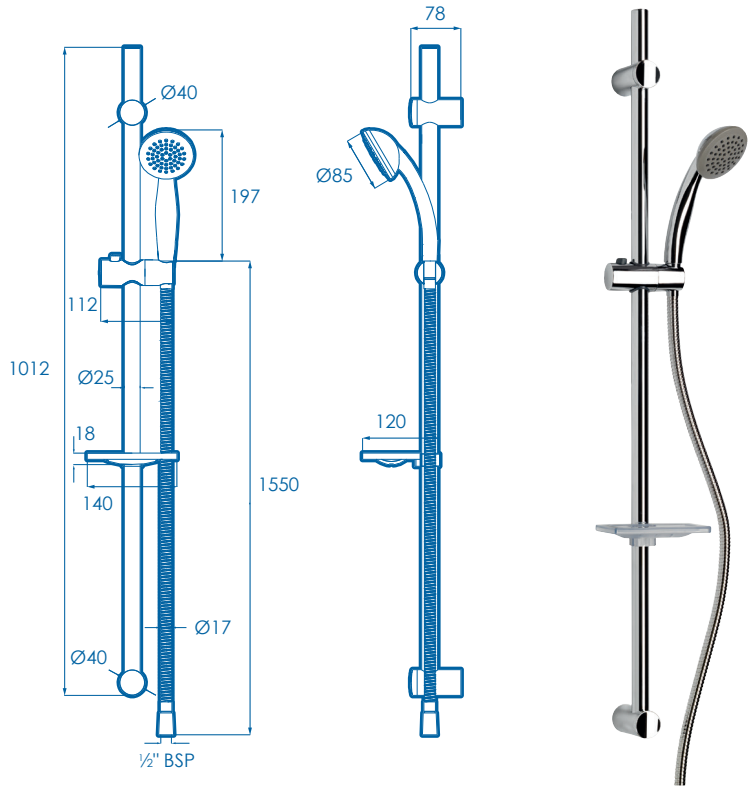


PRODUCT CODE	MATERIAL	PACKAGING	DIMENSIONS (HxWxD)	PRICE
AM173741	Chrome Plated/Stainless Steel	Blister pack with euro slot	655x142x80mm	£63.85

# Shower Sets

## UNO ONE FUNCTION SHOWER SET

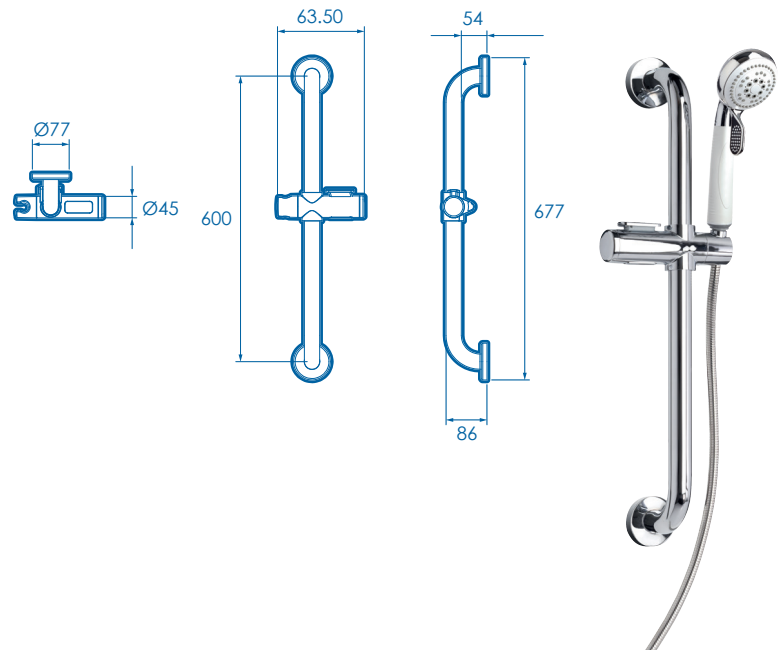
- Complete shower set
- 1000mm Vari-Fit chrome plated stainless steel riser rail allows existing screw holes to be re-used providing they are no more than 960mm apart
- Chrome plated ABS brackets
- Improved mobility and flexibility with 1000mm riser rail
- Single function handset with rub clean nozzles to help prevent the build up of limescale
- Multi-position shower head adjustment
- 1550mm Stainless steel shower hose with high flow bore\*\*
- One brass conical fitment and brass knurled nut
- Wall fixings included
- Minimum operating pressure from 0.1 bar



PRODUCT CODE	MATERIAL	PACKAGING	DIMENSIONS (HxWxD)	PRICE
AM162141	Chrome Plated/Stainless Steel	Full colour box	1012x140x120mm	£51.64

## INCLUSIVE SHOWERING KIT

- 600mm Chrome plated stainless steel grab bar with concealed fixings
- Four function 85mm diameter head with rub clean nozzles
- Tactile rubber handle for easier gripping
- Large lever makes switching functions easier
- 2000mm Chrome hose with high flow bore\*\*
- Two chrome plated brass conical fitments
- Assistive slider with large button making it easy to use
- Minimum operating pressure from 0.1 bar

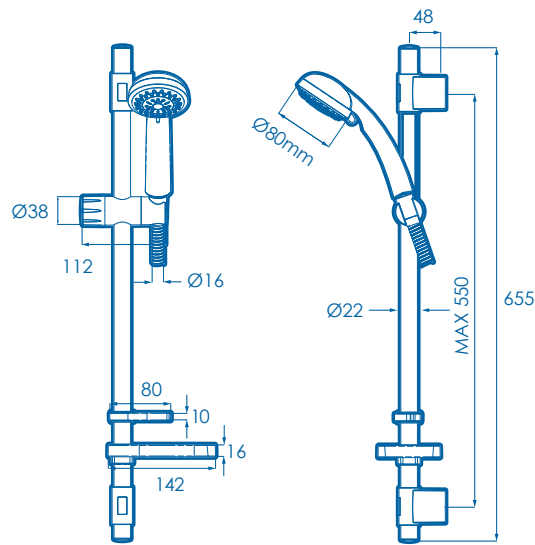


PRODUCT CODE	MATERIAL	PACKAGING	DIMENSIONS (HxWxD)	PRICE
AP600241	Stainless Steel/ White Plastic/Chrome	Brown box with colour label	600x63.5x54mm	£70.42

# Vari Fit Shower Sets

## TRIO THREE FUNCTION SHOWER SET

- 655mm Vari-Fit riser rail allows existing existing screw holes to be re-used providing they are no more than 550mm apart
- Three function handset with rub clean nozzles
- Extra strong 1500mm stainless steel hose with high flow bore\*\*
- Two chrome plated brass conical fitments
- Hose retaining ring for additional security
- Multi-position shower head adjustment
- Chrome plated soap dish
- Wall fixings included
- Minimum operating pressure from 0.1 bar (flow regulators not fitted)



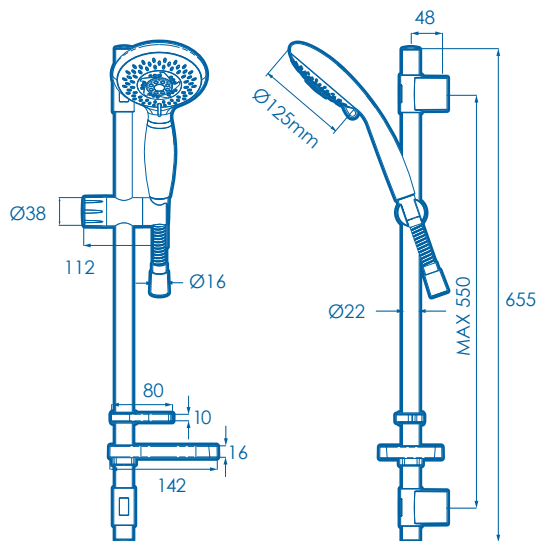
5.7 L/Min



PRODUCT CODE	MATERIAL	PACKAGING	DIMENSIONS (HxWxD)	PRICE
AM158441	Chrome Plated/ Grey Plastic/Stainless Steel	Blister pack with euro slot	655x142x80mm	£51.64

## COUNTOUR FOUR FUNCTION SHOWER SET

- 655mm Vari-Fit riser rail allows existing existing screw holes to be re-used providing they are no more than 550mm apart
- Four function handset with rub clean nozzles to help prevent the build up of limescale
- Extra strong 1500mm stainless steel hose with high flow bore\*\*
- Two chrome plated brass conical fitments
- Hose retaining ring for additional security
- Multi-position shower head adjustment
- Chrome plated soap dish
- Wall fixings included
- Minimum operating pressure from 0.1 bar (flow regulators not fitted)



6.7 L/Min



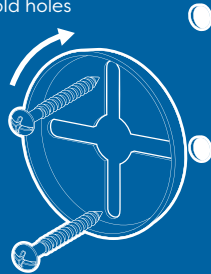
PRODUCT CODE	MATERIAL	PACKAGING	DIMENSIONS (HxWxD)	PRICE
AM158541	Chrome Plated/Grey Plastic/ Stainless Steel	Blister pack with euro slot	655x142x48mm	£61.03

# Flexi Fix™ Shower and Shower Accessories

## THREE WAYS TO FIX

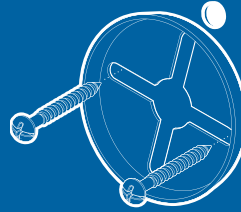
### 1. RE-FIX

Aligns to old holes



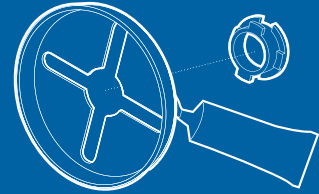
### 2. SCREW-FIX

To new holes



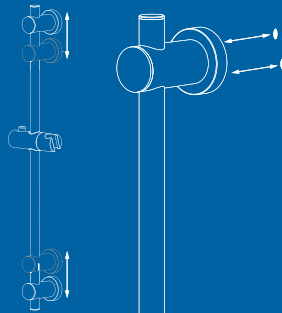
### 3. GLUE-FIX

To most surfaces



### STEP 1. ADJUSTABLE WALL BRACKETS

Wall brackets adjust up and down to align to old holes



### STEP 2. EASY FIX UNIQUE 'X' PLATE

Brackets attach to the easy fix 'X' plate



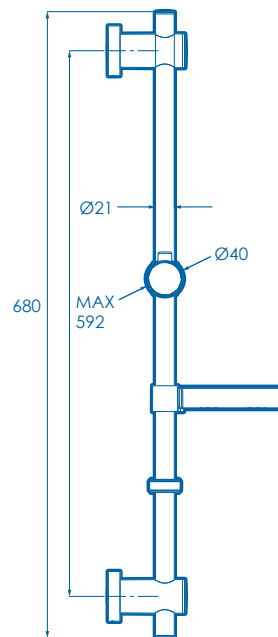
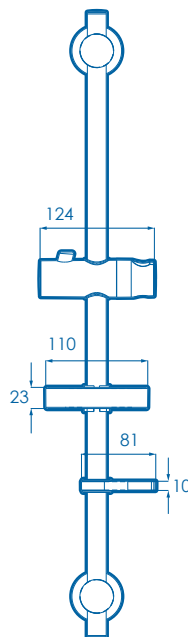
Scan the QR code to view our Flexi-Fix demonstration video or visit [www.croydex.com](http://www.croydex.com)



SHOWER AND SHOWER ACCESSORIES

## FLEXI-FIX RISER RAIL

- Flexi-Fix brackets can be fixed using existing screw holes (up to 600mm apart) or glued, avoiding drilling completely
- 680mm Long riser rail
- Chrome soap dish
- Hose retaining ring for additional security
- Multi-position shower head adjustment
- Wall fixings included



PRODUCT CODE	MATERIAL	PACKAGING	DIMENSIONS (HxWxD)	PRICE
AM182041	Chrome	White box colour label	680 x 124 x 81mm	£42.24

All prices exclude VAT

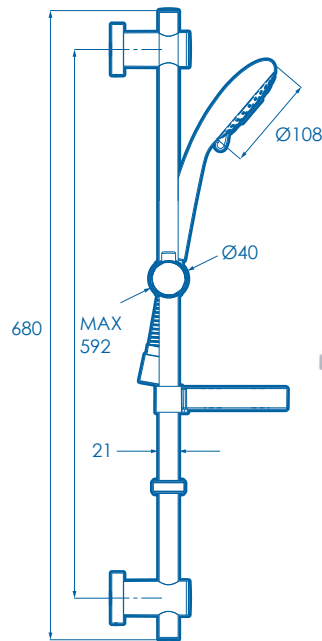
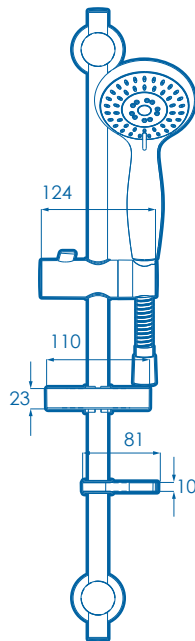
[sales@croydex.co.uk](mailto:sales@croydex.co.uk)

[www.croydex.com](http://www.croydex.com)

# Flexi Fix™ Shower and Shower Accessories

## FLEXI-FIX THREE FUNCTION SHOWER SET

- Flexi-Fix brackets can be fixed using existing screw holes (up to 600mm apart) or glued, avoiding drilling completely
- 680mm Long riser rail
- Multi-position shower head adjustment
- Three function chrome handset with rub clean nozzles
- Extra strong 1500mm stainless steel hose with high flow bore\*\*
- Two chrome plated brass conical fitments
- Chrome soap dish
- Wall fixings included
- Minimum operating pressure from 0.1 bar (flow regulators not fitted)



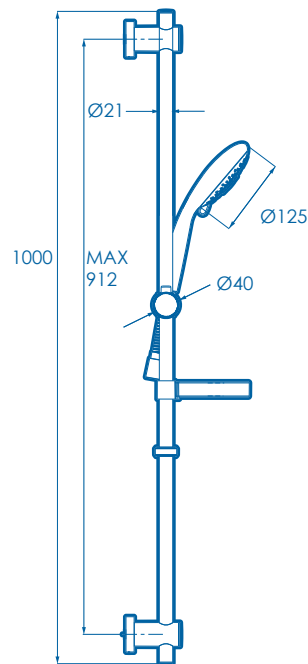
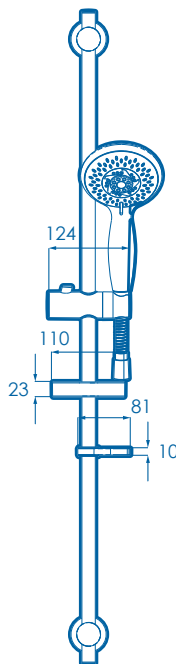
**Flexi Fix™**



PRODUCT CODE	MATERIAL	PACKAGING	DIMENSIONS (HxWxD)	PRICE
AM182141	Chrome/Grey Plastic/ Stainless Steel	White box colour label	680x124x81mm	£70.43

## FLEXI-FIX CONTOUR COMFORT LARGE FOUR FUNCTION SHOWER SET

- 1000mm Long riser rail provides flexible height adjustment to suit a variety of users
- Multi-position shower head adjustment
- Large four function chrome handset with rub clean nozzles
- Extra strong 2000mm stainless steel hose with high flow bore\*\*
- Two chrome plated brass conical fitments
- Chrome soap dish
- Minimum operating pressure from 0.1 bar (flow regulators not fitted)



**Flexi Fix™**



PRODUCT CODE	MATERIAL	PACKAGING	DIMENSIONS (HxWxD)	PRICE
AM182241	Chrome plated/Grey Plastic/ Stainless Steel	White box colour label	1000x124x81mm	£84.51

# Aqua Air™ Shower and Shower Accessories

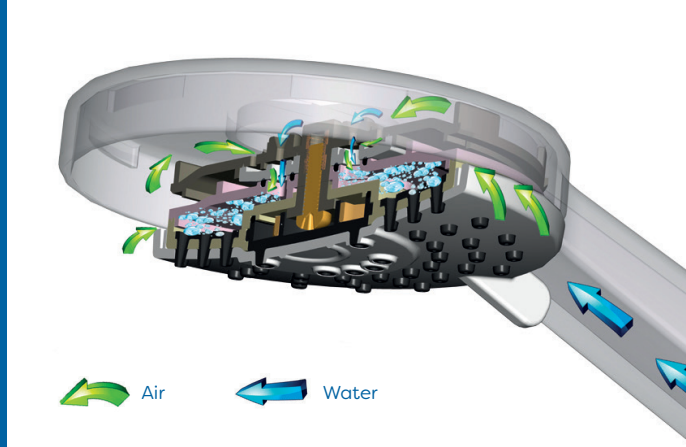
## SENSATIONAL WATER SAVING

Un-inspiring and expensive showers are a thing of the past with the new Aqua Air showering products from Croydex.

Aqua Air products produce a bigger and softer water droplet to enhance and improve your showering sensation and pleasure, whilst also reducing your water consumption without the need for a water saving device.

How Aqua Air works is simple – water flowing through the shower head draws in air, which is then mixed with the water. This creates bigger, softer, aerated water droplets within a volumised shower spray, which enhance the showering sensation and provide a high quality showering experience with lower water consumption.

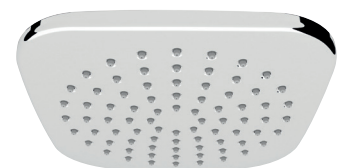
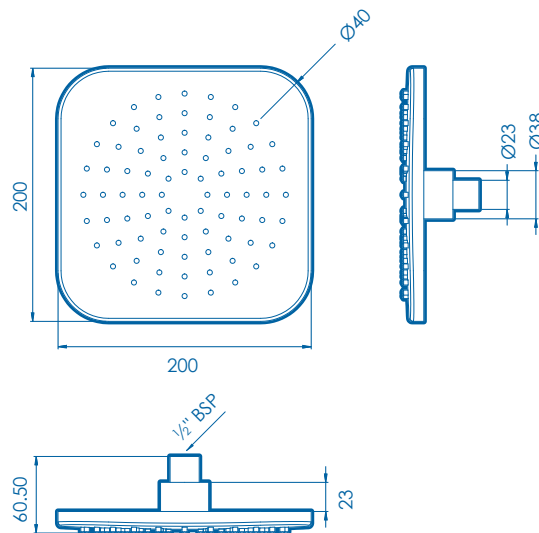
In fact Aqua Air shower handsets can save up to 50% water when compared to similar standard shower handsets.



SHOWER AND SHOWER ACCESSORIES

## NEWELL OVERHEAD SHOWER

- Rain spray overhead with Aqua Air™ technology
- Rub clean nozzles to help prevent the build up of limescale
- Fully adjustable brass ball joint
- Supplied with an optional water saving device
- Universal 1/2" BSP connection
- Minimum operating pressure from 0.5 bar (flow regulators not fitted)



PRODUCT CODE	MATERIAL	PACKAGING	DIMENSIONS (HxWxD)	PRICE
AM171241	Chrome ABS	Full colour box	200x200x60.50mm	£42.24

All prices exclude VAT

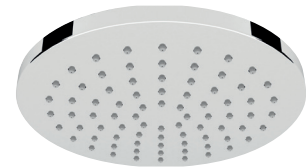
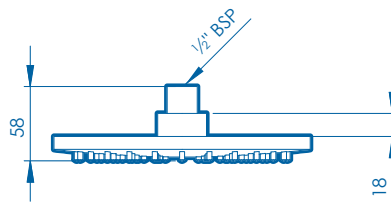
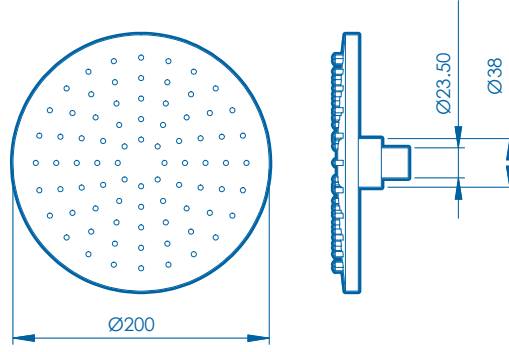
sales@croydex.co.uk

www.croydex.com

# Aqua Air™ Shower and Shower Accessories

## SHERRARD OVERHEAD SHOWER

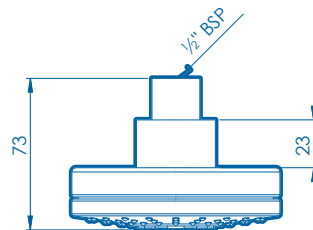
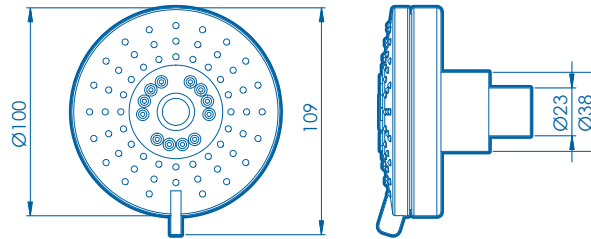
- Rain spray overhead with Aqua Air™ technology
- Rub clean nozzles to help prevent the build up of limescale
- Fully adjustable brass ball joint
- Supplied with an optional water saving device
- Universal 1/2" BSP connection
- Minimum operating pressure from 0.5 bar (flow regulators not fitted)



PRODUCT CODE	MATERIAL	PACKAGING	DIMENSIONS (HxWxD)	PRICE
AM171341	Chrome ABS	Full colour box	200x200x58mm	£42.24

## MOWBRAY OVERHEAD SHOWER

- Rain spray ABS overhead with Aqua Air™ technology
- Pulse and combination technology
- Rub clean nozzles to help prevent the build up of limescale
- Fully adjustable brass ball joint
- Supplied with an optional water saving device
- Minimum operating pressure from 0.5 bar (flow regulators not fitted)



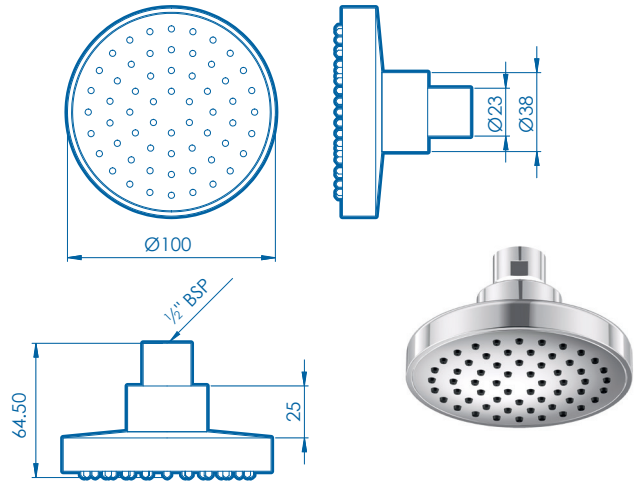
PRODUCT CODE	MATERIAL	PACKAGING	DIMENSIONS (HxWxD)	PRICE
AM171441	Chrome ABS	Full colour box	109x100x73mm	£24.40



# Aqua Air™ Shower and Shower Accessories

## FLORENCE OVERHEAD SHOWER

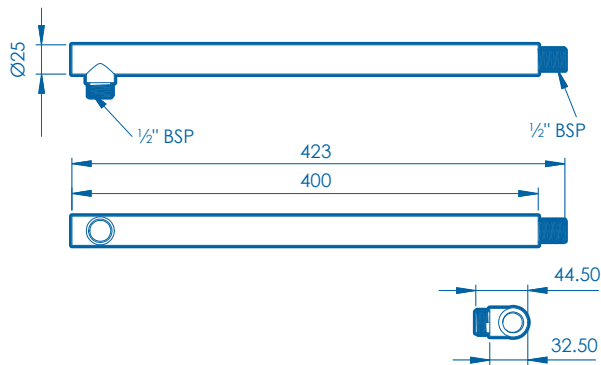
- Rain spray ABS handset with Aqua Air™ technology
- Pulse and combination technology
- Rub clean nozzles to help prevent the build up of limescale
- Adjustable brass ball joint
- Supplied with an optional water saving device
- Minimum operating pressure from 0.5 bar (flow regulators not fitted)



PRODUCT CODE	MATERIAL	PACKAGING	DIMENSIONS (HxWxD)	PRICE
AM171541	Chrome ABS	Full colour box	100x100x64.50mm	£21.58

## SHOWER ARM

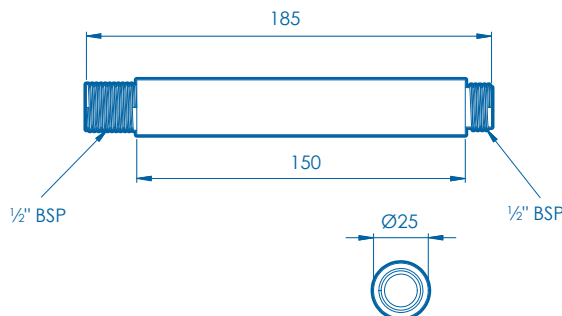
- Provided with brass escutcheon ring to hide the wall connection
- Chrome plated finish
- 25mm Diameter brass tube
- Universal 1/2" BSP connection



PRODUCT CODE	MATERIAL	PACKAGING	DIMENSIONS (HxWxD)	PRICE
AM172641	Chrome plated	Full colour box	400x25x44.50mm	£41.31

## CEILING ARM

- Provided with brass escutcheon ring to hide the wall connection
- Chrome plated finish
- 25mm Diameter brass tube
- Universal 1/2" BSP connection

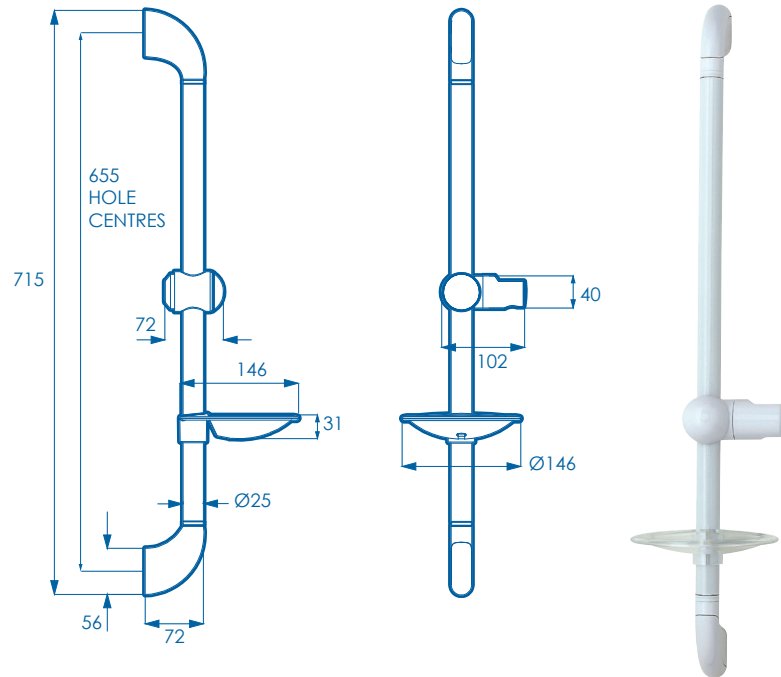


PRODUCT CODE	MATERIAL	PACKAGING	DIMENSIONS (HxW)	PRICE
AM172741	Chrome Plated	Full colour box	150x25mm	£23.47

# Riser Rails

## RISER RAIL

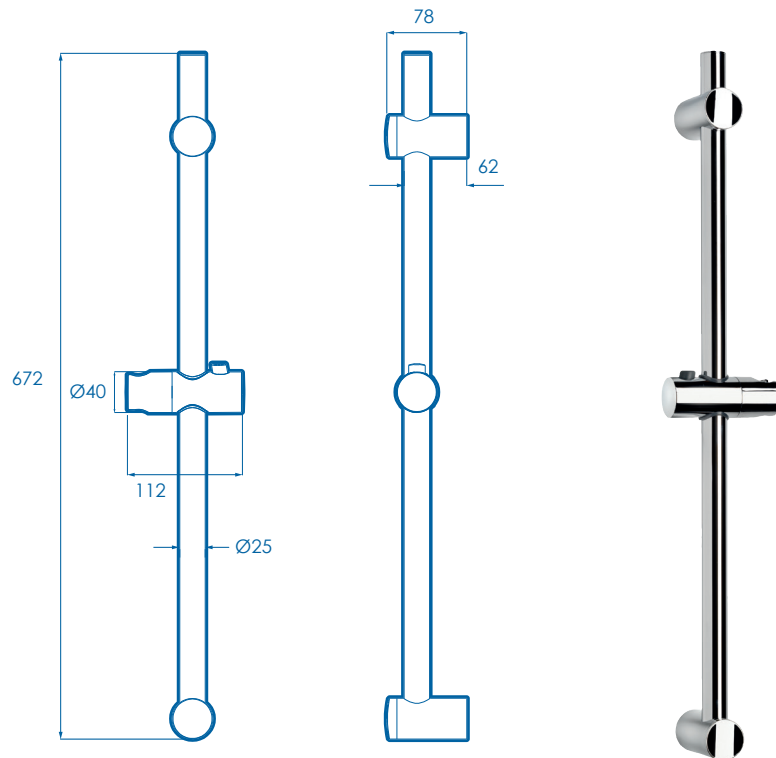
- 715mm Stainless steel riser rail
- Multi-position shower head adjustment
- Fits all shower hoses with a standard conical fitting
- Clear soap dish
- Wall fixings included



PRODUCT CODE	MATERIAL	PACKAGING	DIMENSIONS (HxWxD)	PRICE
AM150422	White	Blister pack with euro slot	715x146x72mm	£20.65
AM150441	Chrome Plated	Blister pack with euro slot	715x146x72mm	£23.47

## VARIO RISER RAIL

- 672mm Stainless steel riser rail
- Allows existing screw holes to be re-used providing they are no more than 610mm apart
- Multi-position shower head adjustment
- One adjustable wall bracket
- Fits all shower hoses with a standard conical fitting
- Wall fixings included

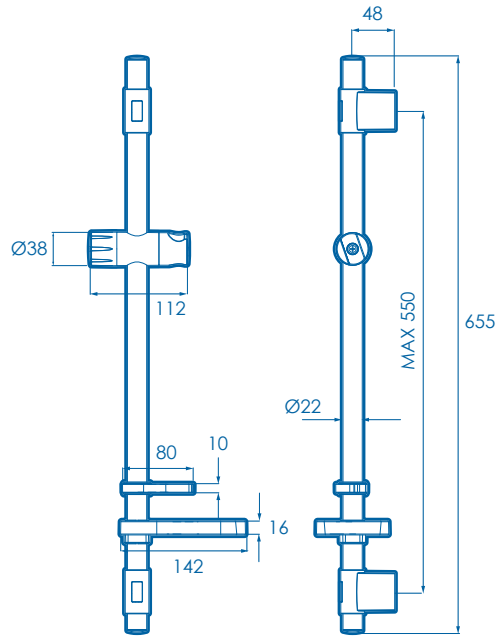


PRODUCT CODE	MATERIAL	PACKAGING	DIMENSIONS (HxWxD)	PRICE
AM163741	Chrome Plated	Blister pack with euro slot	672x112x78mm	£25.34

# Riser Rails

## VARI-FIT RISER RAIL

- 655mm Stainless steel riser rail
- Allows existing screw holes to be re-used providing they are no more than 550mm apart
- Multi-position shower head adjustment
- Hose retaining ring for additional security
- Chrome plated soap dish
- Fits all shower hoses with a standard conical fitting
- Wall fixings included



SHOWER AND SHOWER ACCESSORIES

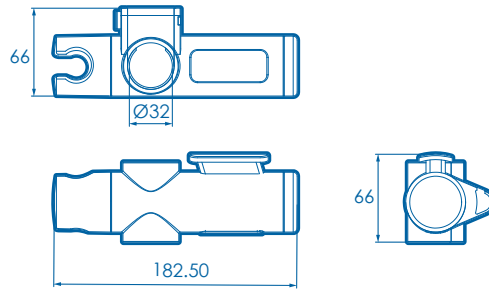
PRODUCT CODE	MATERIAL	PACKAGING	DIMENSIONS (HxWxD)	PRICE
AM158241	Chrome Plated	Blister pack with euro slot	655x142x48mm	£32.86



# Shower Accessories

## INCLUSIVE RISER RAIL SLIDER

- Assistive slider with large button for easy use
- Easy to fit onto riser rails with a diameter of 32mm
- Can be inverted for either right or left hand use
- Can be retro fitted onto existing grab bars without removing them



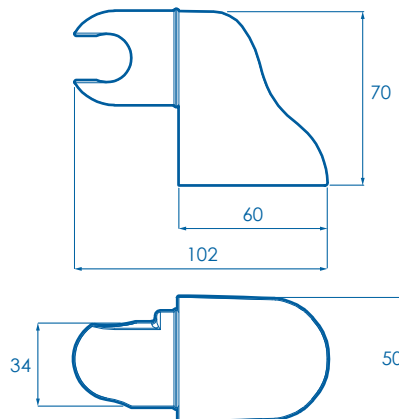
NEW



PRODUCT CODE	MATERIAL	PACKAGING	DIMENSIONS (HxW)	PRICE
AP710522	Chrome Plated	Polybag with header card	66x182.50mm	£20.83

## ADJUSTABLE WALL BRACKET

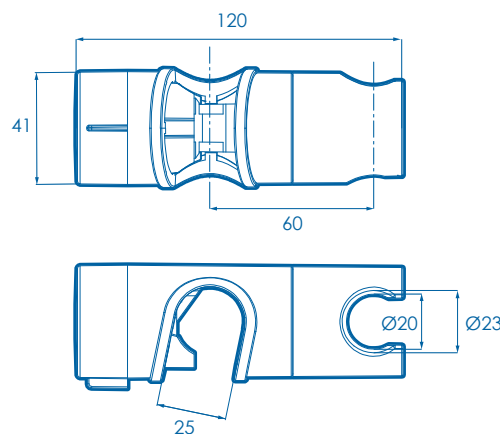
- Multi-position wall bracket
- Fits shower hoses with a standard conical fitting
- Suitable for all Croydex shower hoses



PRODUCT CODE	MATERIAL	PACKAGING	DIMENSIONS (HxWxD)	PRICE
AM150622	White	Blister pack with euro slot	70x84x102mm	£7.50
AM150641	Chrome Plated	Blister pack with euro slot	70x84x102mm	£9.38

## UNIVERSAL RISER RAIL SLIDER

- Adjustable to fit riser rails from 18 – 25mm diameter
- Durable plastic
- Easy to fit



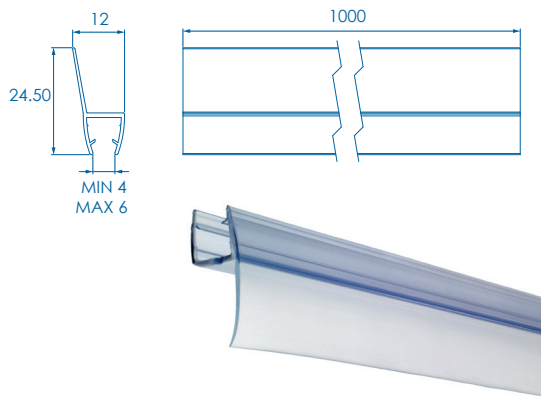
PRODUCT CODE	MATERIAL	PACKAGING	DIMENSIONS (HxWxD)	PRICE
AM710122	White Plastic	Poly bag with header card	41x120x41mm	£3.27
AM710141	Chrome Plated	Poly bag with header card	41x120x41mm	£3.74

# Shower Accessories

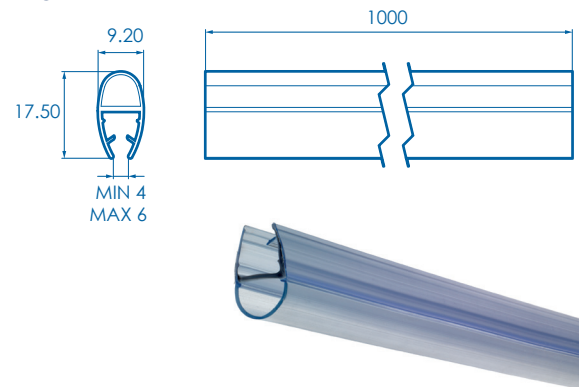
## RIGID SEAL KITS

- A replacement translucent rigid seal kit for bath screens
- Suitable for panels 4-6mm thick
- Quick and easy to install
- Seal type: Wiper

### WIPER



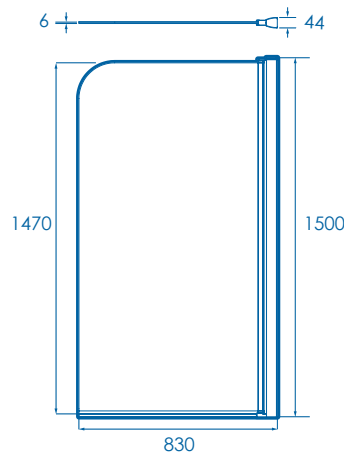
### TUBE



PRODUCT CODE	MATERIAL	PACKAGING	DIMENSIONS (LxW)	PRICE
AM161332 (Wiper)	Translucent	Card tube with label	24.50x1000mm	£12.20
AM161432 (Tube)	Translucent	Card tube with label	17.50x1000mm	£12.20

## FLEXI-FIX SHOWER SCREEN

- 6mm toughened safety glass
- Patented system allows use of existing screw holes
- Simple key system allows single person fitting
- Screen adjustment for out of true walls
- Reversible for left or right hand fit
- Polished aluminium profile

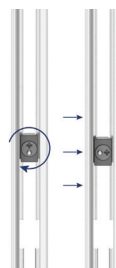


**NEW**

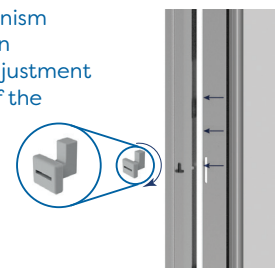
## SIMPLE LEVELLING SYSTEM

Unique cam system always aligns your screen on to the bath through existing screw holes for a better seal

Adjustable cam device locates into the channel and allows existing holes to be used. It also provides vertical and horizontal adjustment



Our locking mechanism allows single person installation and adjustment in final assembly of the glass screen



PRODUCT CODE	MATERIAL	PACKAGING	DIMENSIONS (HxWxD)	PRICE
AM184032	Glass	Brown box colour label	1500x830x6mm	£150.00



## Toilet Seats and Bath Panels

Hygiene is just as important as appearance for Croydex which is why our range of antibacterial toilet seats are sure to make your bathroom a safer place. With a range of colours and finishes available there's something for everyone.



# Double Fixed Toilet Seats



One of the biggest problems in most bathrooms these days is the toilet seat coming loose over time. Whether it be through normal use or incorrect fixing there is nothing worse than attempting to sit down on the toilet seat and then precariously slipping sideways!

This common problem can be solved immediately by fitting a Sit Tight

'Double Fixed' toilet seat to your pan. Designed to give you the peace of mind that your toilet seat will never come loose, the Sit Tight toilet seat uses a glue and screw fixing system to secure the toilet seat hinges in place.

Using the toilet seat to get the correct position, the hinges are glued in place with a high strength adhesive. The toilet seat is fitted onto the pan and

screwed in place using the tool provided. The 'Double Fixed' toilet seat is ready to use straight away with no more movement; just fit and forget!

Available in a variety of finishes, the Sit Tight toilet seat is suitable for any bathroom style.

TOILET SEATS AND BATH PANELS

## GLUE



Position the hinges and then glue in place with the high strength adhesive supplied.

## SCREW



Screw in place using the tool provided.

## READY TO USE



The toilet seat is ready to use immediately.

## FEATURES KEY

Products marked with these icons include this feature.



The 'Double-Fixed' toilet seat, designed to prevent seat movement



Protects against:  
 E-Coli     Listeria  
 MRSA     Salmonella  
 Odours     Staining  
 Mould & Mildew



Allows the seat to be removed easily for cleaning.



Soft close hinges prevent the seat from slamming closed.



Allows the seat to be fitted from above.



No tools required



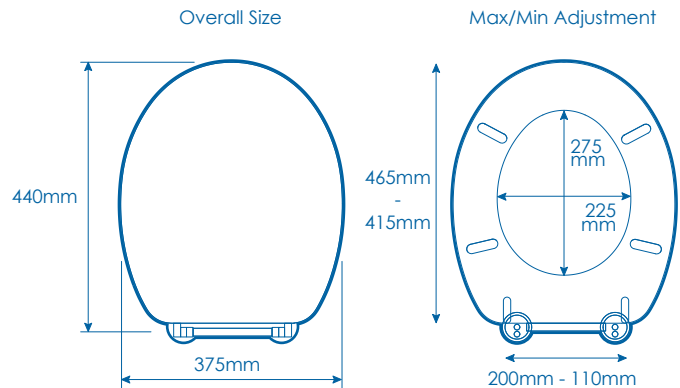
Scan the QR code to view our Sit Tight demonstration video or visit [www.croydex.com](http://www.croydex.com)



# Sit Tight™ Toilet Seats

## JACKSON WHITE TOILET SEAT

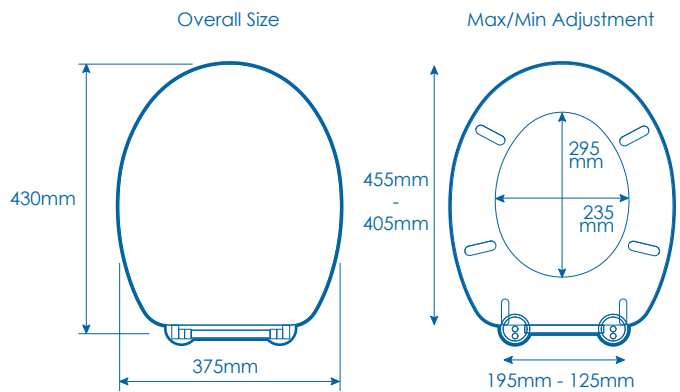
- Adjustable hinges fit all standard toilets
- Durable moulded wood
- Chrome plated hinges
- All fittings included



PRODUCT CODE	FINISH	PACKAGING	DIMENSIONS (LxW)	PRICE
WL530022H	White	Full colour box	440x375mm	£25.34

## FOSTER WHITE TOILET SEAT

- Adjustable hinges fit all standard toilets
- Hard wearing thermoset plastic
- White plastic hinges
- All fittings included

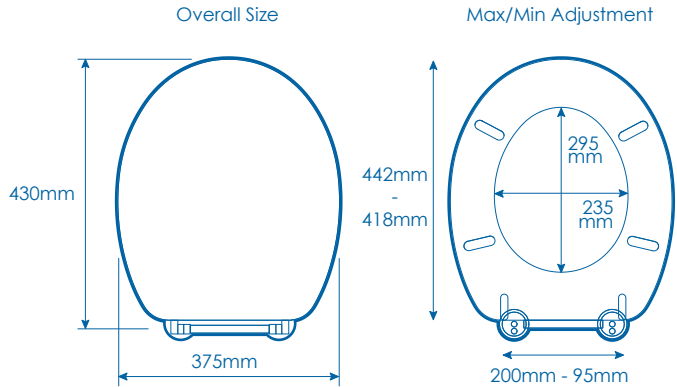


PRODUCT CODE	FINISH	PACKAGING	DIMENSIONS (LxW)	PRICE
WL530122H	White	Full colour box	430x375mm	£28.16

# Sit Tight™ Toilet Seats

## FOSTER WHITE TOILET SEAT WITH SOFT CLOSE

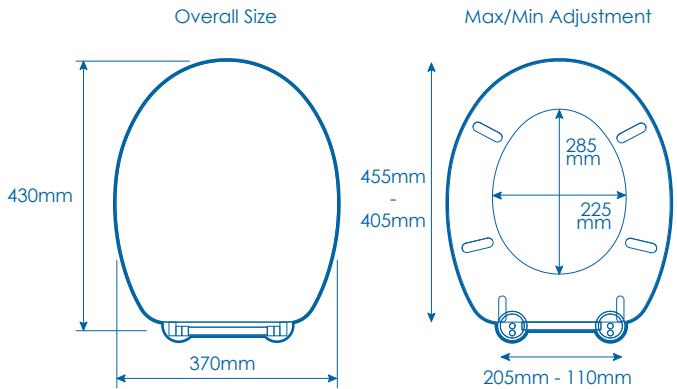
- Adjustable hinges fit all standard toilets
- Hard wearing thermoset plastic
- Chrome plated hinges
- All fittings included



PRODUCT CODE	FINISH	PACKAGING	DIMENSIONS (LxW)	PRICE
WL530322H	White	Full colour box	430x375mm	£30.97

## DAWSON WHITE TOILET SEAT WITH SOFT CLOSE

- Adjustable hinges fit all standard toilets
- Durable moulded wood
- Stainless steel hinges
- All fittings included

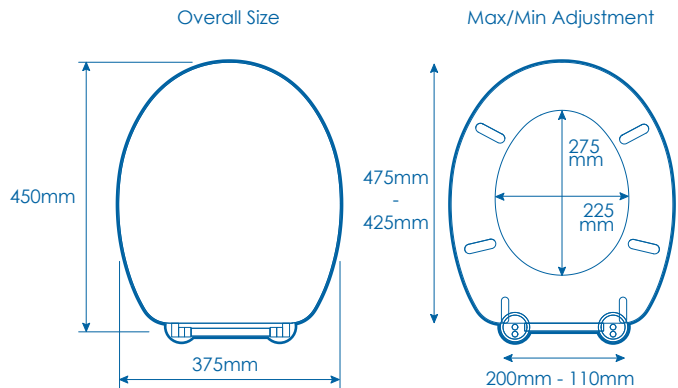


PRODUCT CODE	FINISH	PACKAGING	DIMENSIONS (LxW)	PRICE
WL530522H	White	Full colour box	430x370mm	£46.94

# Sit Tight™ Toilet Seats

## NEW ENGLAND WHITE TONGUE AND GROOVE TOILET SEAT

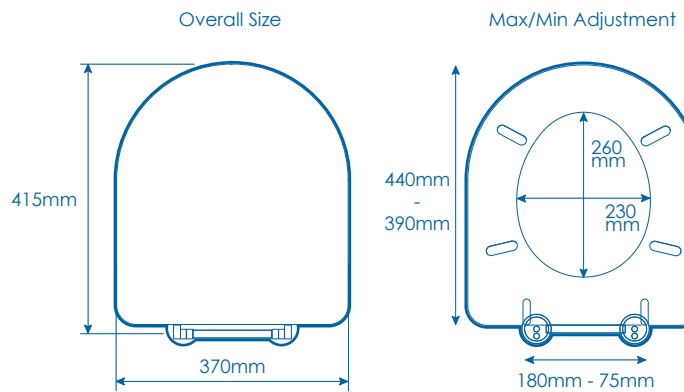
- Sit-Tight No More Movement
- Adjustable hinges fit all standard toilets
- Durable moulded wood
- Chrome plated hinges
- All fittings included



PRODUCT CODE	FINISH	PACKAGING	DIMENSIONS (LxW)	PRICE
WL530822H	White	Full colour box	450x375mm	£32.86

## HAVEN D-SHAPED TOILET SEAT WITH SOFT CLOSE

- Sit-Tight No More Movement
- Durable moulded wood
- Adjustable hinges fit all standard toilets
- D-Shape design
- Chrome/stainless steel hinges
- All fittings included

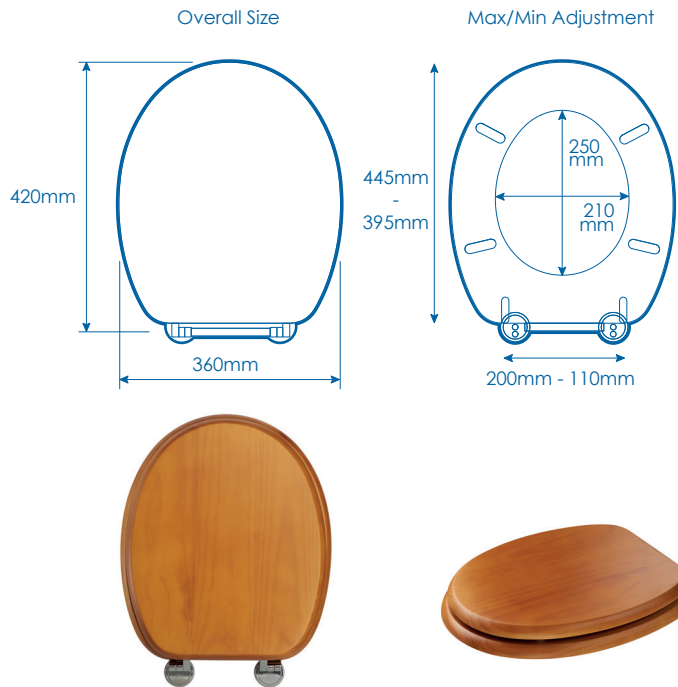


PRODUCT CODE	FINISH	PACKAGING	DIMENSIONS (LxW)	PRICE
WL533522H	White	Full colour box	415x370mm	£46.94

# Sit Tight™ Toilet Seats

## DOUGLAS ANTIQUE PINE TOILET SEAT

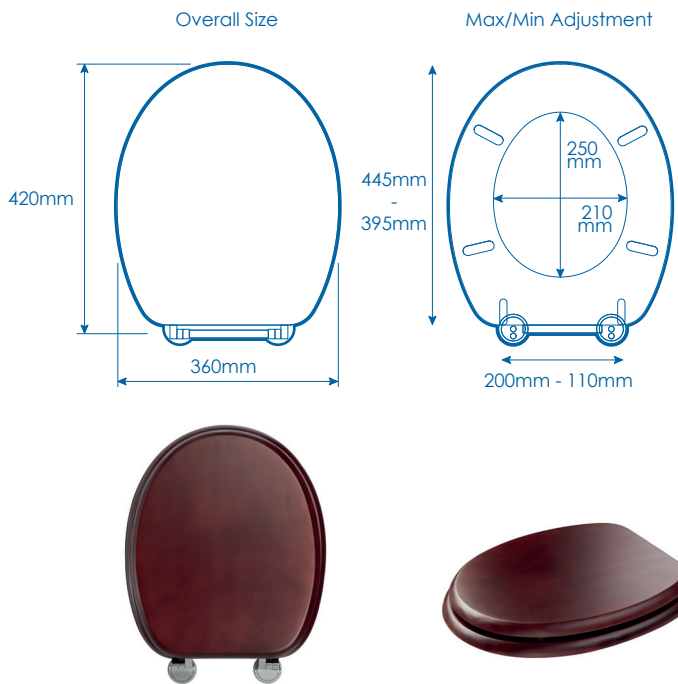
- Adjustable hinges fit all standard toilets
- Made from solid pine
- Chrome plated or brass effect hinges
- All fittings included



PRODUCT CODE	FINISH	PACKAGING	DIMENSIONS (LxW)	PRICE
WL530650H	Antique Pine/Chrome Plated	Full colour box	420x360mm	£32.86
WL530750H	Antique Pine/Brass Effect	Full colour box	420x360mm	£33.79

## DOUGLAS MAHOGANY EFFECT TOILET SEAT

- Adjustable hinges fit all standard toilets
- Made from solid pine
- Chrome plated or brass effect hinges
- All fittings included

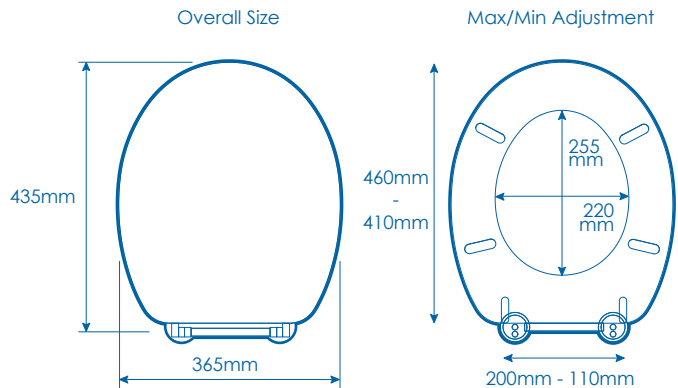


PRODUCT CODE	FINISH	PACKAGING	DIMENSIONS (LxW)	PRICE
WL530652H	Mahogany Effect/Chrome Plated	Full colour box	420x360mm	£32.86
WL530752H	Mahogany Effect/Brass Effect	Full colour box	420x360mm	£33.79

# Sit Tight™ Toilet Seats

## BLOOMFIELD SOLID OAK TOILET SEAT

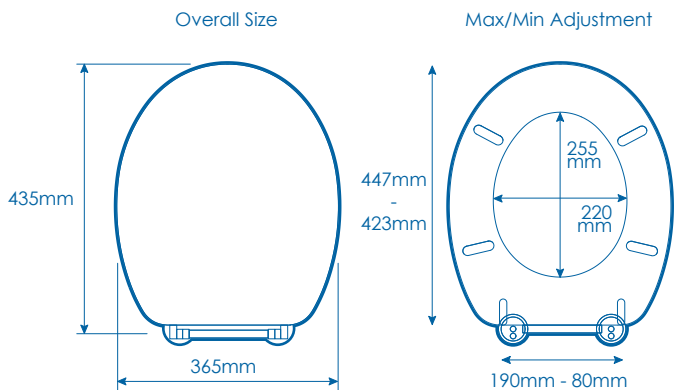
- Adjustable hinges fit all standard toilets
- Made from solid oak
- Chrome plated or brass effect hinges
- All fittings included



PRODUCT CODE	FINISH	PACKAGING	DIMENSIONS (LxW)	PRICE
WL530976H	Solid Oak/Chrome Plated	Full colour box	435x365mm	£44.13
WL531076H	Solid Oak/Brass Effect	Full colour box	435x365mm	£45.06

## BLOOMFIELD SOLID OAK SOFT CLOSE TOILET SEAT

- Adjustable hinges fit all standard toilets
- Made from solid oak
- Chrome plated hinges
- All fittings included

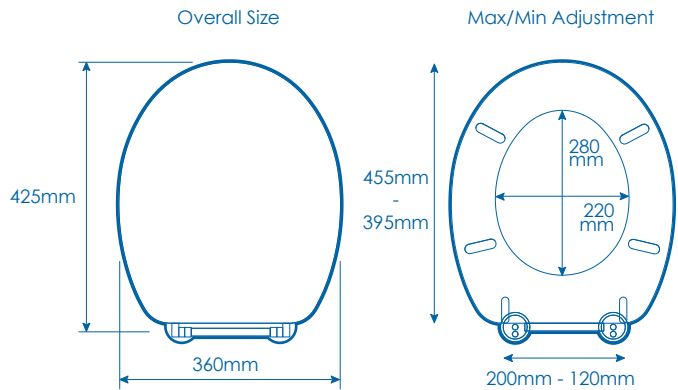


PRODUCT CODE	FINISH	PACKAGING	DIMENSIONS (LxW)	PRICE
WL531176H	Oak	Full colour box	435x365mm	£46.94

# Toilet Seats

## CANADA EASY-FIX TOILET SEAT

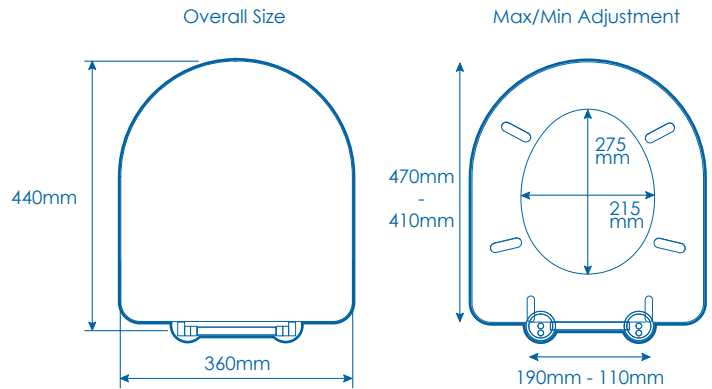
- Adjustable hinges fit all standard toilets
- Made from resilient polypropylene
- Tool free, easy fix white plastic hinges
- All fittings included



PRODUCT CODE	FINISH	PACKAGING	DIMENSIONS (LxW)	PRICE
WL401022H	White	Full colour box	425x360mm	£18.77

## PANAMA EASY-FIX TOILET SEAT

- Adjustable hinges fit all standard toilets
- Made from resilient polypropylene
- Tool free, easy fix white plastic hinges
- All fittings included

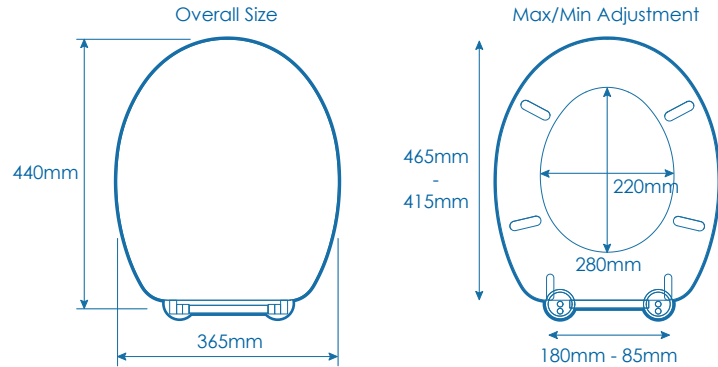


PRODUCT CODE	FINISH	PACKAGING	DIMENSIONS (LxW)	PRICE
WL401122H	White	Full colour box	440x360mm	£21.58

# Toilet Seats

## HUDSON TOILET SEAT WITH SOFT CLOSE

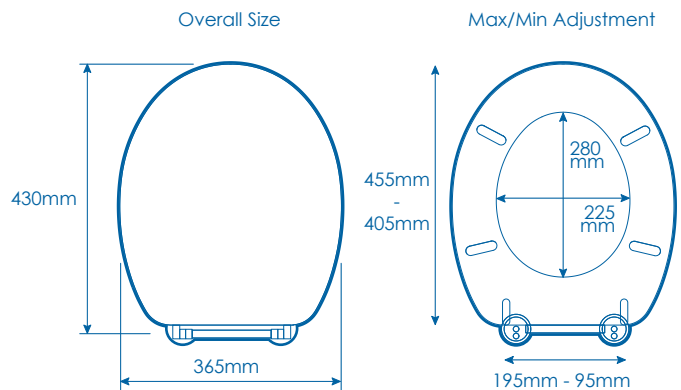
- Made from resilient polypropylene
- Adjustable hinges fit all standard toilets
- Anti-bacterial additive helps keep your toilet seat safe and hygienic
- Take-off seat enables fast fitting and easy cleaning
- Soft close prevents slamming
- All fittings included



PRODUCT CODE	FINISH	PACKAGING	DIMENSIONS (LxW)	PRICE
WL401222H	White	Full colour box	440x365mm	£34.84

## HAUGHTON EASY-FIX TOILET SEAT

- Smart white thermoset resin seat with chrome plated hinges
- Quick-release hinges enable fast fitting and easy removal of seat for cleaning
- Practical soft-close hinges stop the lid from slamming
- All fittings included

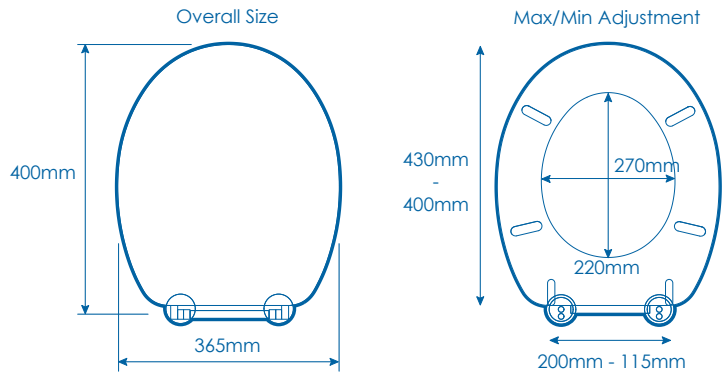


PRODUCT CODE	FINISH	PACKAGING	DIMENSIONS (LxW)	PRICE
WL400122H	White	Full colour box	430x365mm	£56.33

# Toilet Seats

## ANTI-BACTERIAL POLYPROPYLENE TOILET SEAT WITH SOFT CLOSE

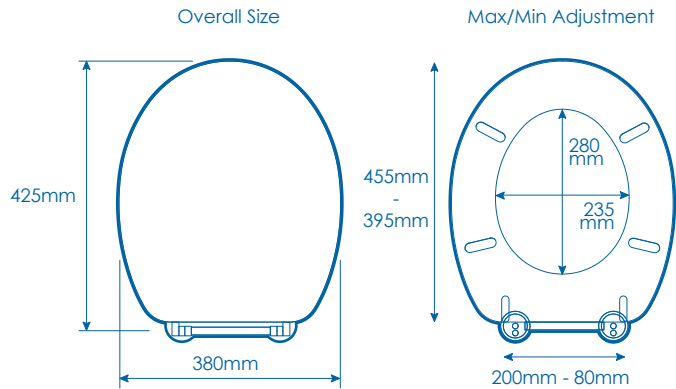
- Antibacterial
- Adjustable hinges fit all standard toilets
- Made from resilient polypropylene
- Practical soft-close hinges stop the lid from slamming
- Smart white seat with co-ordinating fixings
- All fittings included



PRODUCT CODE	FINISH	PACKAGING	DIMENSIONS (LxW)	PRICE
WL40022H	White	Full colour box	400x365mm	£32.86

## ELDON TOILET SEAT WITH SOFT CLOSE

- Top Fix Hinges
- Adjustable hinges fit all standard toilets
- Hard wearing thermoset plastic
- Quick release for easy cleaning
- Top fix hinges with stainless steel brackets
- All fittings included



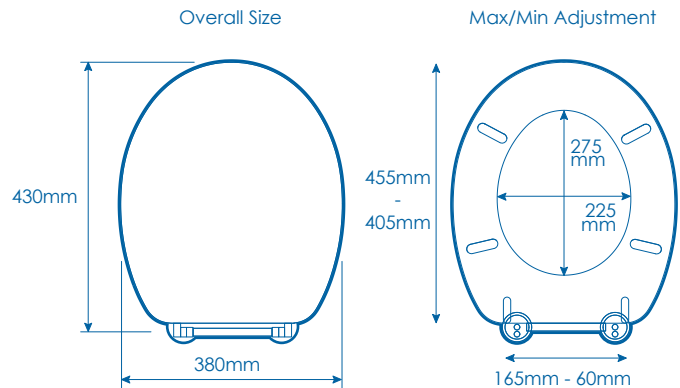
PRODUCT CODE	FINISH	PACKAGING	DIMENSIONS (LxW)	PRICE
WL533622H	White	Full colour box	425x380mm	£35.67



# Toilet Seats

## SAFEFLUSH TOILET SEAT

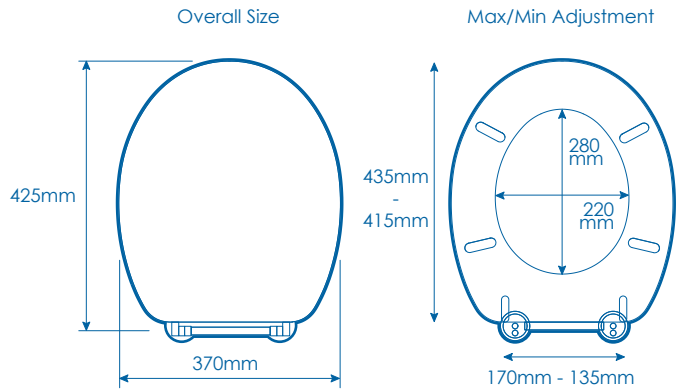
- Smart white thermoset seat with chrome plated fixings
- Special seal stops the spread of germs and bacteria outside the toilet
- Includes Hygiene'n'Clean anti - microbial treatment
- Fits most standard size toilets
- Up to 75% reduction in noise when flushing
- Toilet seat hinges can be adjusted to suit fixing hole centres from 135mm to 165mm
- Practical soft close hinges stop the lid from slamming
- All fittings included



PRODUCT CODE	FINISH	PACKAGING	DIMENSIONS (LxW)	PRICE
WL110922H	White	Full colour box	430x380mm	£72.30

## RAISED TOILET SEAT

- Fits all standard toilet seats
- Easy lift lid with handle
- Comfortable sitting down and getting up due to a 5cm raised seating position
- Adjustable hinges
- All fittings included

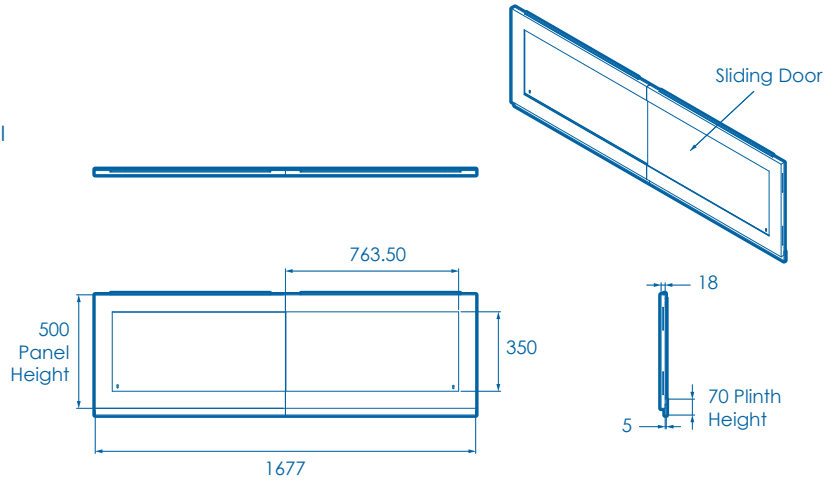


PRODUCT CODE	FINISH	PACKAGING	DIMENSIONS (LxW)	PRICE
WL400522H	White	Full colour box	425x370mm	£112.69

# Bath Panels

## BATH PANEL

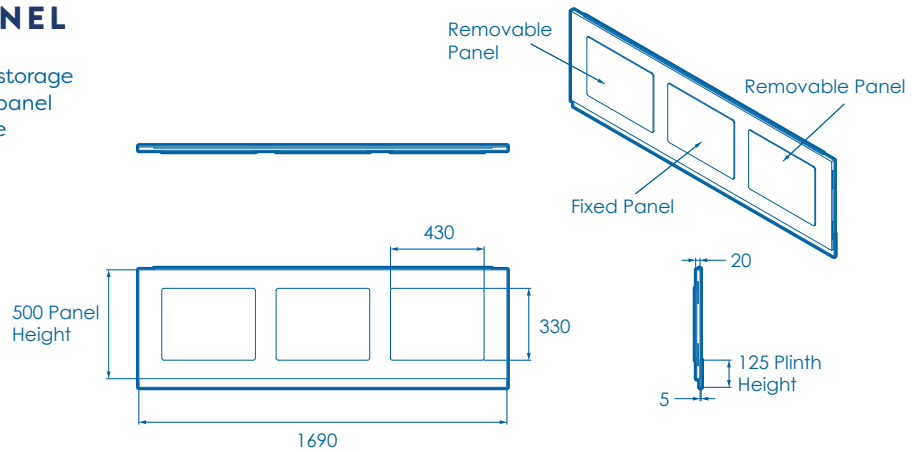
- Simple to assemble, just unfold and fit
- Gloss white painted MDF bath panel
- Hidden lockable sliding door for under bath storage
- Height adjustable base panel (Min 500mm, Max 530mm)
- Fits most standard size baths



PRODUCT CODE	FINISH	PACKAGING	DIMENSIONS (HxWxD)	PRICE
WB995122	White	White box with colour label	500-530x1677x18mm	£93.91

## STORAGE BATH PANEL

- Clip fit panels create accessible storage
- Gloss white painted MDF bath panel
- Two clip fit access panels create accessible under bath storage
- Height adjustable base panel (Min 500mm, Max 575mm)
- Fits most standard size baths

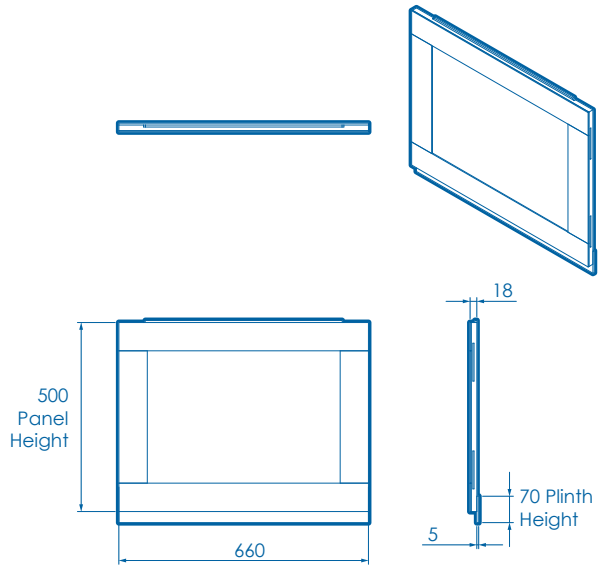


PRODUCT CODE	FINISH	PACKAGING	DIMENSIONS (LxW)	PRICE
WB715122	White	White box with colour label	500x1690mm	£93.91

# Bath Panels

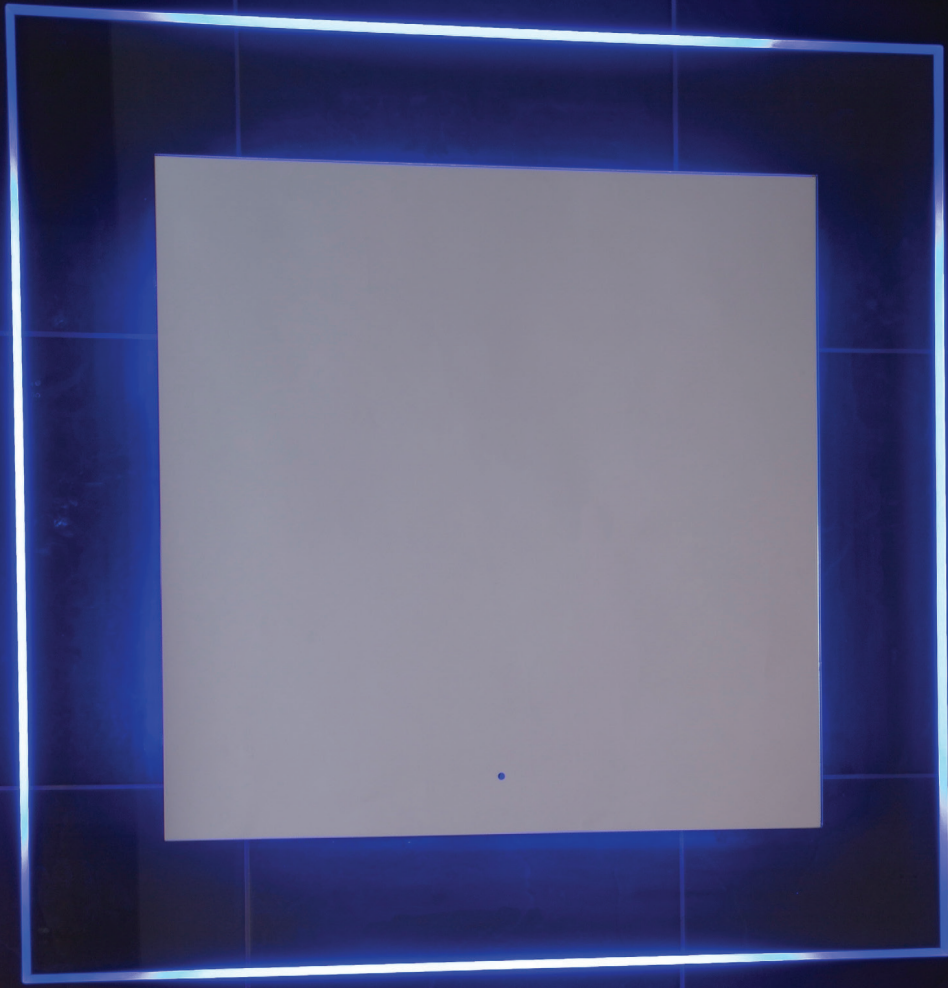
## BATH END PANEL

- Fits all standard baths
- Gloss white painted MDF bath panel
- Provided with corner joints to seal the join between the side and end bath panels
- Height adjustable base panel (Min 500mm, Max 530mm)
- Fits most standard size baths



PRODUCT CODE	FINISH	PACKAGING	DIMENSIONS (HxWxD)	PRICE
WB995022	Gloss	White box with colour label	500-530x660x18mm	£51.64





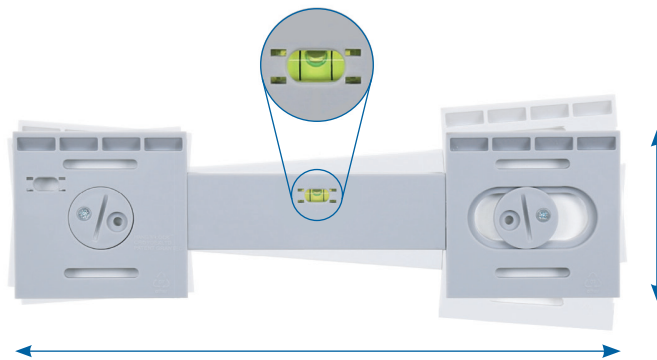
## Wall Mounted/Semi Permanent Accessories

Wall mounted accessories are essential for keeping your bathroom clutter free. Our stylish range offers a variety of fixing methods and some products can even be installed without drilling through tiles.



WALL MOUNTED/  
SEMI PERMANENT  
ACCESSORIES

# Hang'n'Lock™ – Mirrors



**EASY INSTALLATION BRACKET • FULLY ADJUSTABLE • SINGLE PERSON INSTALL**

The patented Hang'n'Lock easy installation bracket from Croydex is a simple and safe solution for hanging your cabinet or mirror.

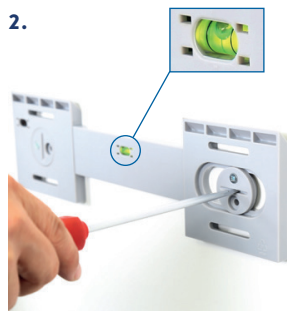
Hang'n'Lock provides the flexibility to change the level of your cabinet or mirror after having drilled your holes.

1.



Attach the bracket to the wall

2.



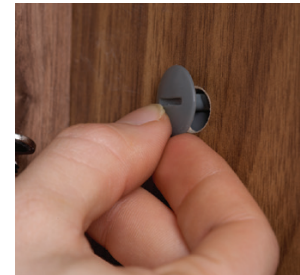
Adjust the level

3.



Hang your mirror or cabinet

4.



Lock securely in place

\* Different locking systems apply to mirrors & cabinets



Scan the QR code to view our Hang'n'Lock demonstration video or visit [www.croydex.com](http://www.croydex.com)

# Illuminated Mirrors

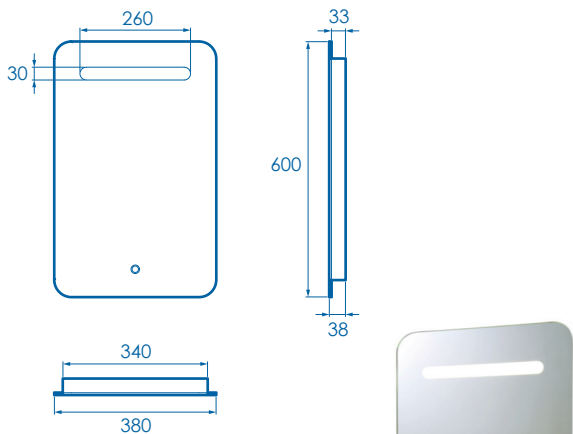
Create space and light in your bathroom, whilst adding a real element of luxury with these stylish illuminated mirrors.

## FEATURES

- Touch sensitive switch to turn the lights on and off.
- Heat demister pad that helps to clear the condensation from the central area of the mirror.
- IP44 Rated so are safe to use in the outside zone of the bathroom.
- Easy to hang using the single person installation Hang'n'Lock bracket.
- Can be hung either landscape or portrait to suit the space available.\*\*
- Made from aluminium, anodised aluminium coating and mirror glass.
- Features warm white LED bulbs.
- LED bulbs last 30,000 hours.



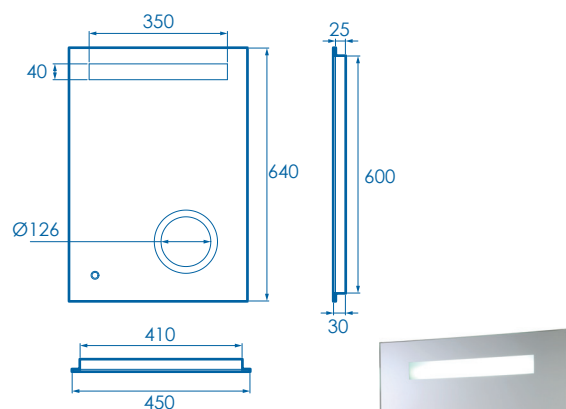
## HENMORE LED ILLUMINATED MIRROR



\*\*Portrait only



## CARROCK LED ILLUMINATED MIRROR



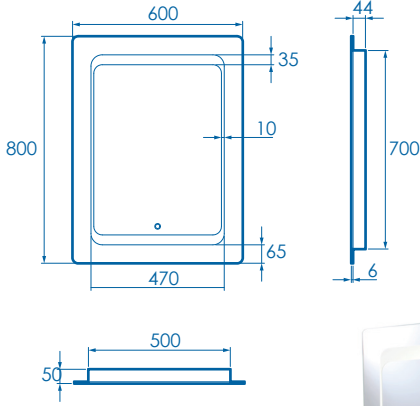
\*\*Portrait only



PRODUCT CODE	MM710400E	PRODUCT CODE	MM710100E
PACKAGING	White box with colour label	PACKAGING	White box with colour label
DIMENSIONS (HxWxD)	600x380x38mm	DIMENSIONS (HxWxD)	640x450x30mm
PRICE	£187.83	PRICE	£216.01

# Illuminated Mirrors

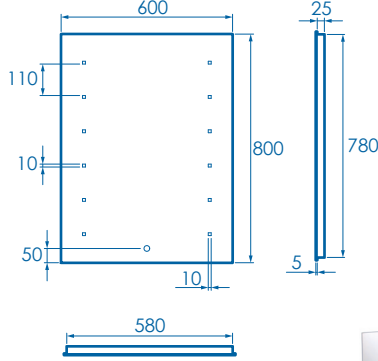
## SHERSTON LED ILLUMINATED MIRROR



\*\*Portrait or Landscape



## CHEATON LED ILLUMINATED MIRROR



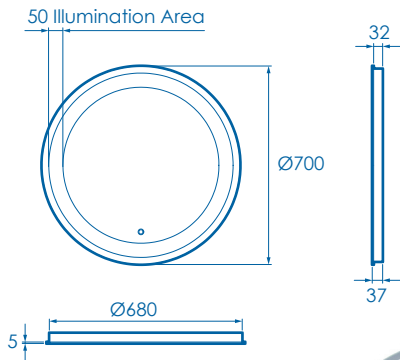
\*\*Portrait or Landscape



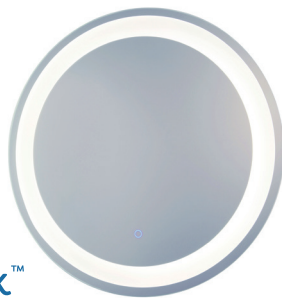
PRODUCT CODE	MM710500E
PACKAGING	White box with colour label
DIMENSIONS (HxWxD)	800x600x50mm
PRICE	£234.80

PRODUCT CODE	MM710600E
PACKAGING	White box with colour label
DIMENSIONS (HxWxD)	800x600x25mm
PRICE	£234.80

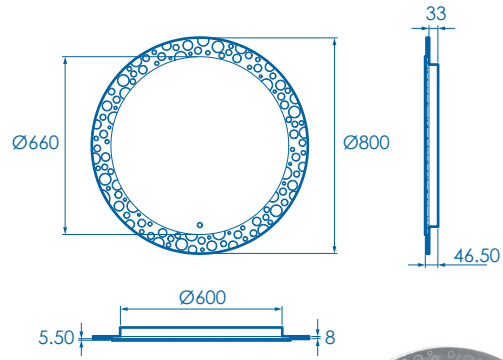
## WYNCHAM LED ILLUMINATED MIRROR



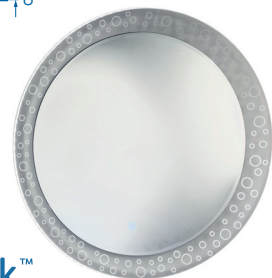
\*\*Portrait only



## ROTHLEY LED ILLUMINATED MIRROR



\*\*Portrait only



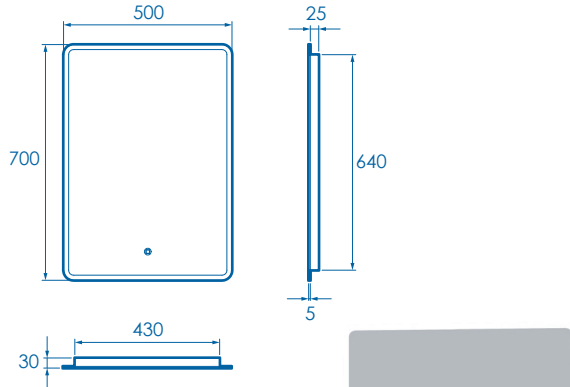
PRODUCT CODE	MM710200E
PACKAGING	White box with colour label
DIMENSIONS (HxWxD)	700x700x37mm
PRICE	£234.80

PRODUCT CODE	MM710300E
PACKAGING	White box with colour label
DIMENSIONS (HxWxD)	800x800x46.50
PRICE	£328.72



# Illuminated Mirrors

## CHILCOMBE LED ILLUMINATED MIRROR

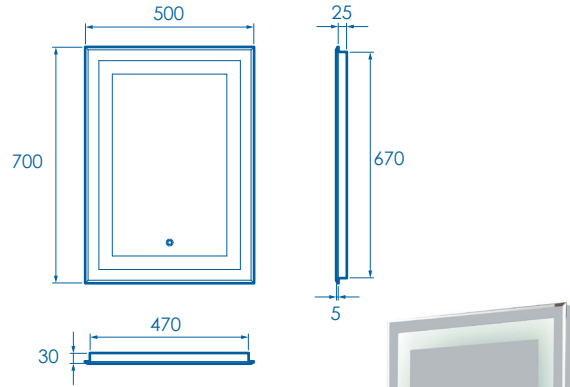


\*\*Portrait or Landscape



PRODUCT CODE	MM720200E
PACKAGING	White box with colour label
DIMENSIONS (HxWxD)	700x500x30mm
PRICE	£164.35

## ROOKLEY LED ILLUMINATED MIRROR

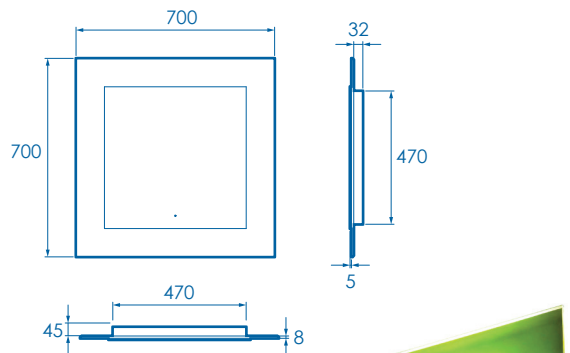


\*\*Portrait or Landscape



PRODUCT CODE	MM720700E
PACKAGING	White box with colour label
DIMENSIONS (HxWxD)	700x500x30mm
PRICE	£164.35

## OAKLEY LED ILLUMINATED MIRROR



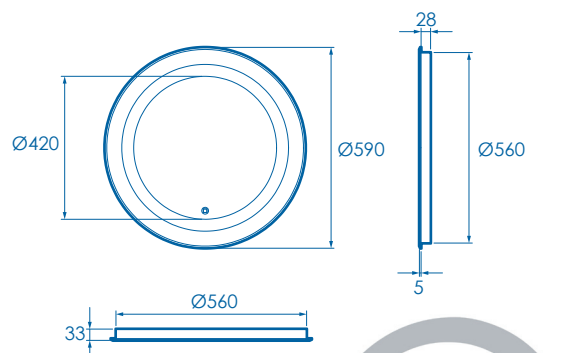
- Remote control operated
- Provides a choice of colours and brightness

\*\*Portrait only



PRODUCT CODE	MM720100E
PACKAGING	White box with colour label
DIMENSIONS (HxWxD)	700x700x45mm
PRICE	£234.80

## BIRCHWOOD LED ILLUMINATED MIRROR



\*\*Portrait only

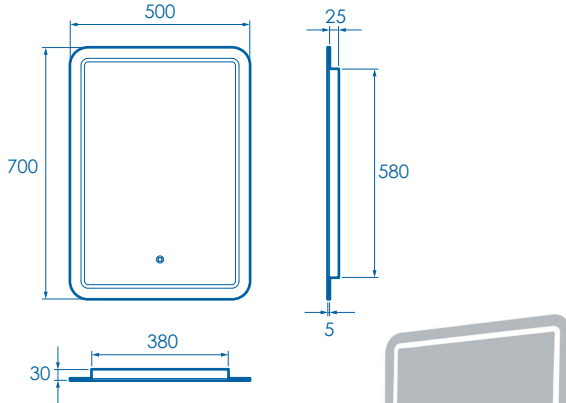


PRODUCT CODE	MM720600E
PACKAGING	White box with colour label
DIMENSIONS (HxWxD)	590x590x33mm
PRICE	£187.83

WALL MOUNTED/  
SEMI PERMANENT  
ACCESSORIES

# Illuminated Mirrors

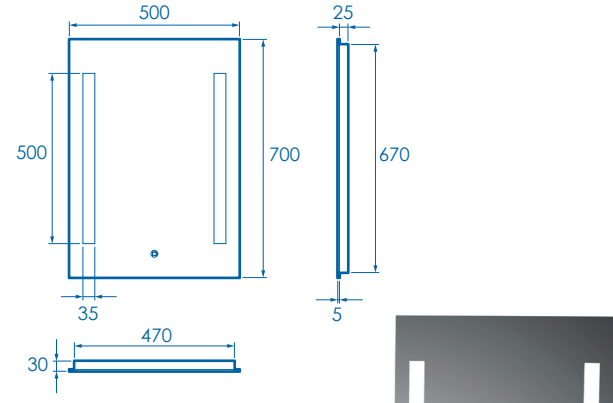
## CHAWSTON LED ILLUMINATED MIRROR



\*\*Portrait or Landscape



## HENBURY LED ILLUMINATED MIRROR

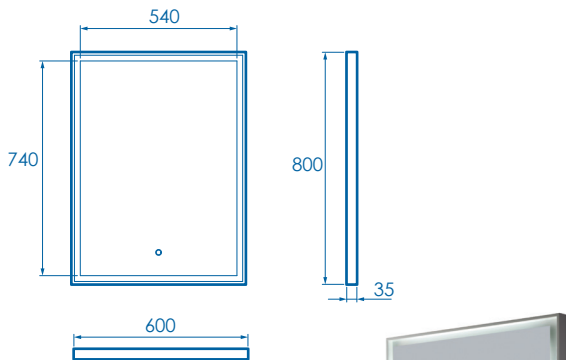


\*\*Portrait or Landscape



PRODUCT CODE	MM720400E	PRODUCT CODE	MM720300E
PACKAGING	White box with colour label	PACKAGING	White box with colour label
DIMENSIONS (HxWxD)	700x500x30mm	DIMENSIONS (HxWxD)	700x500x30mm
PRICE	£164.35	PRICE	£140.87

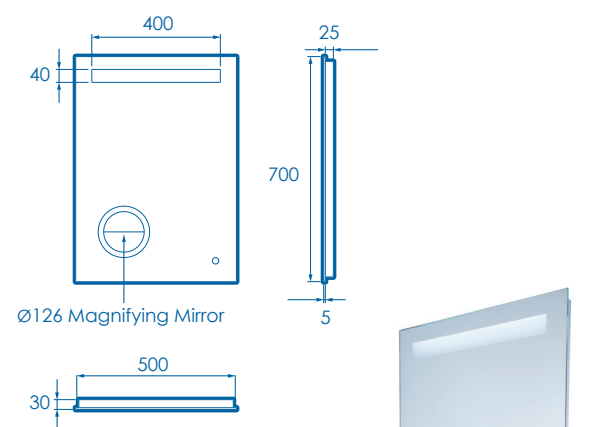
## MARLOW LED ILLUMINATED MIRROR



\*\*Portrait only



## HALINGTON LED ILLUMINATED MIRROR



\*\*Portrait only



PRODUCT CODE	MM720500E	PRODUCT CODE	MM720800E
PACKAGING	White box with colour label	PACKAGING	White box with colour label
DIMENSIONS (HxWxD)	800x600x35mm	DIMENSIONS (HxWxD)	700x500x30mm
PRICE	£187.83	PRICE	£140.87

# Battery Operated Mirrors

An affordable range of battery operated illuminated mirrors give the illusion of space and light in any bathroom.

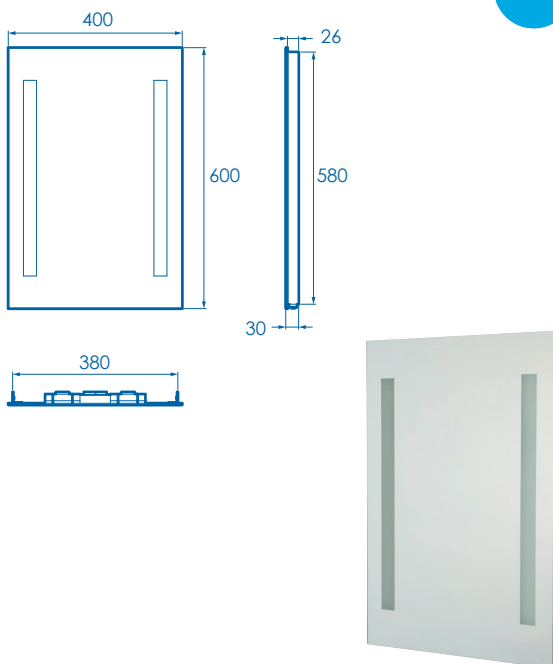
## FEATURES

- Battery powered switch to turn the light on and off.
- Two LED light strips in the mirror illuminate the bathroom.
- Can be hung in portrait format only.
- Battery operated for ease of use
- Made from aluminium, anodised aluminium coating and mirror glass.
- Requires 8xAA batteries.



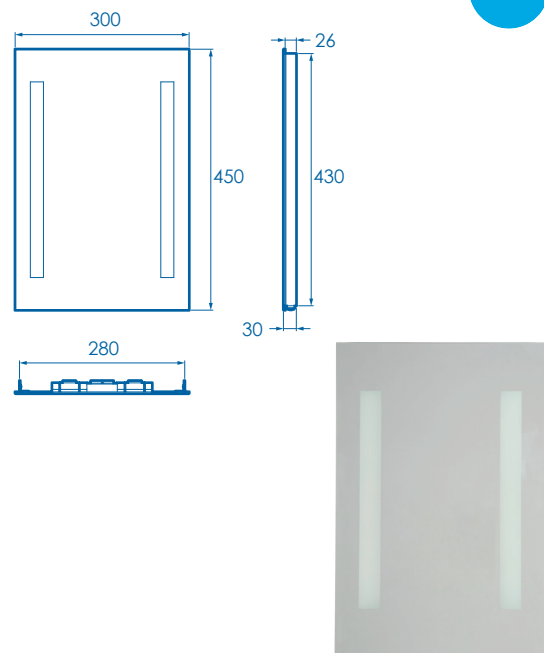
## THORNTON MIRROR

NEW



## MALHAM MIRROR

NEW



PRODUCT CODE	MM731100E	PRODUCT CODE	MM730100E
PACKAGING	White box with colour label	PACKAGING	White box with colour label
DIMENSIONS (HxWxD)	600x400x30mm	DIMENSIONS (HxWxD)	450x300x30mm
PRICE	£50.00	PRICE	£41.67

# Mild Steel Wire Bathroom Storage

These traditional mild steel baskets provide additional storage space to suit any bathroom.

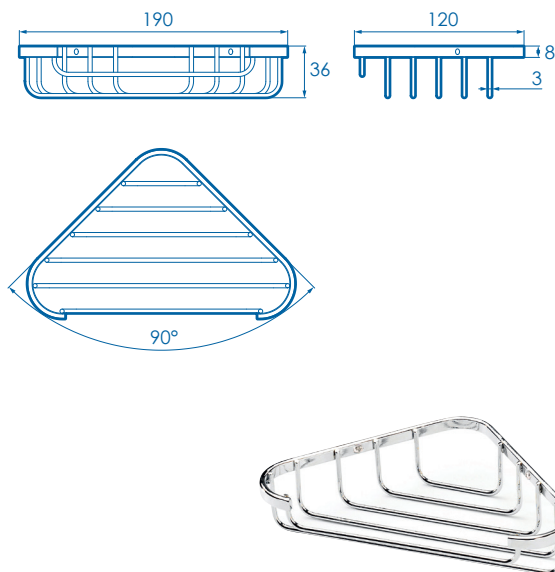
## FEATURES

- A range of wire bathroom storage baskets provide a variety of options to suit the additional storage space you require.
- Each product in the range comes with a rust free 5 year guarantee, providing peace of mind that your product won't rust.
- Suitable for use with the 'wet' shower area.
- All fixings are included to make these products easy to fit.
- Made from durable chrome plated mild steel.

**RUST FREE** **FIVE YEAR GUARANTEE**

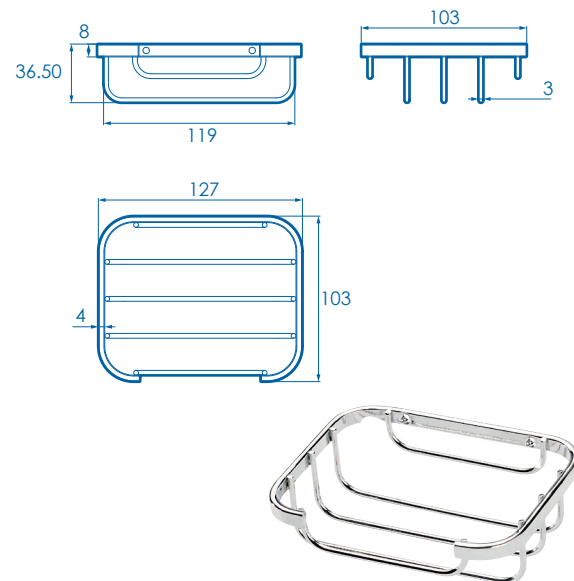


## CORNER SOAP DISH



**RUST FREE** **FIVE YEAR GUARANTEE**

## SOAP DISH

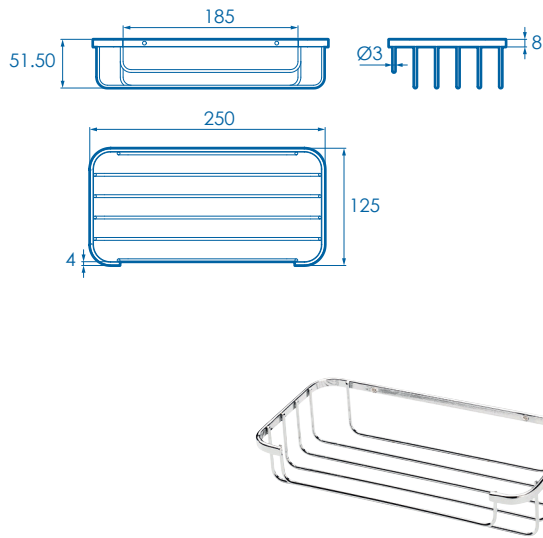


**RUST FREE** **FIVE YEAR GUARANTEE**

PRODUCT CODE	QM260941	PRODUCT CODE	QM261941
PACKAGING	Card wrap and euro slot	PACKAGING	Card wrap and euro slot
DIMENSIONS (HxWxD)	36x190x120mm	DIMENSIONS (HxWxD)	36.50x127x103mm
PRICE	£7.02	PRICE	£6.09

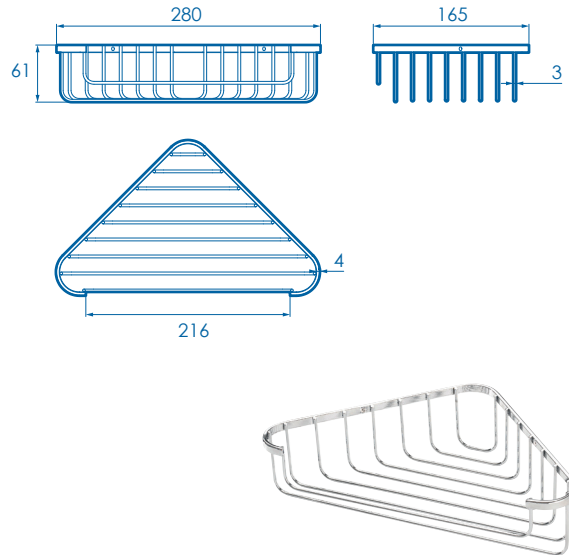
# Mild Steel Wire Bathroom Storage

## COSMETIC BASKET



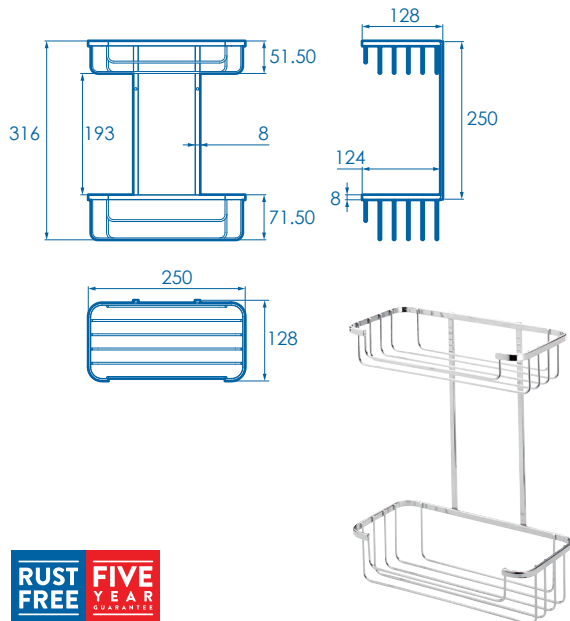
PRODUCT CODE	QM260641
PACKAGING	Card wrap and euro slot
DIMENSIONS (HxWxD)	51.50x250x125mm
PRICE	£9.84

## CORNER BASKET



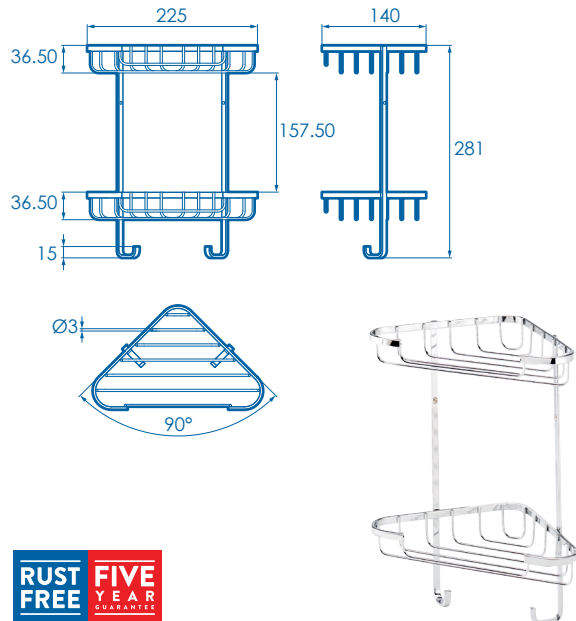
PRODUCT CODE	QM265941
PACKAGING	Card wrap and euro slot
DIMENSIONS (HxWxD)	61x280x165mm
PRICE	£9.84

## TWO TIER COSMETIC BASKET



PRODUCT CODE	QM260541
PACKAGING	Card wrap and euro slot
DIMENSIONS (HxWxD)	316x250x128mm
PRICE	£18.29

## SMALL TWO TIER CORNER BASKET

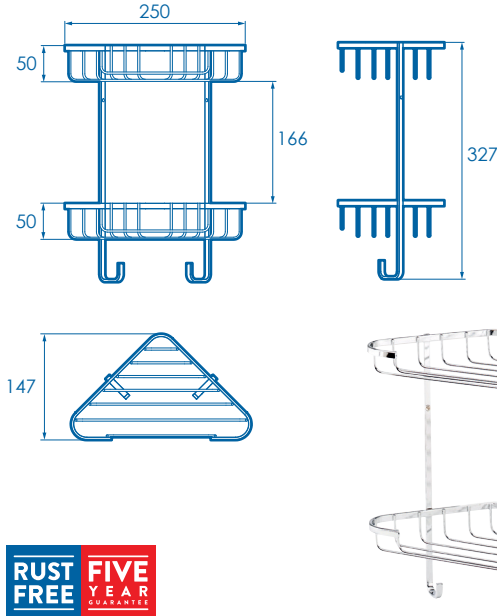


PRODUCT CODE	QM260841
PACKAGING	Card wrap and euro slot
DIMENSIONS (HxWxD)	281x225x140mm
PRICE	£14.54

WALL MOUNTED/  
SEMI PERMANENT  
ACCESSORIES

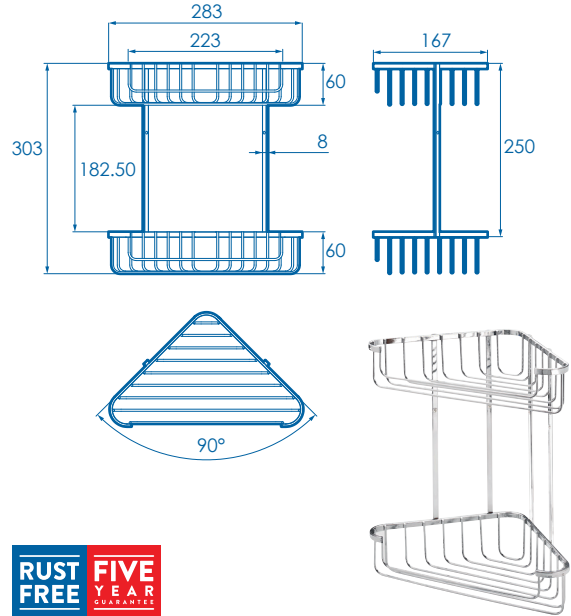
# Mild Steel Wire Bathroom Storage

## MEDIUM TWO TIER CORNER BASKET



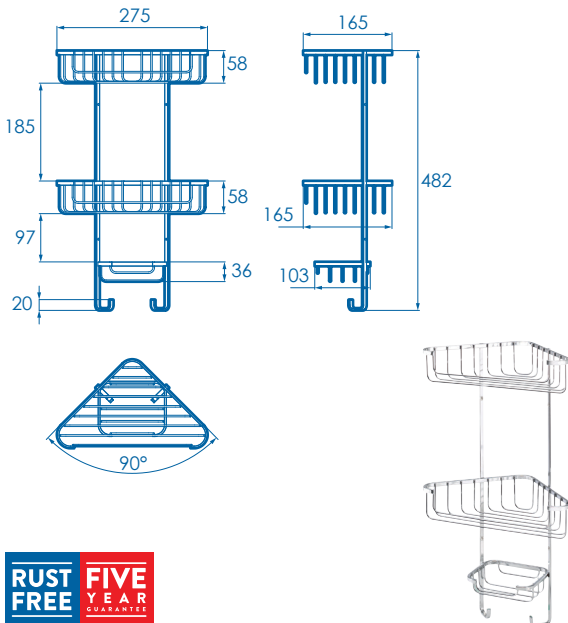
PRODUCT CODE	QM260241
PACKAGING	Card wrap and euro slot
DIMENSIONS (HxWxD)	327x250x147mm
PRICE	£18.77

## LARGE TWO TIER CORNER BASKET



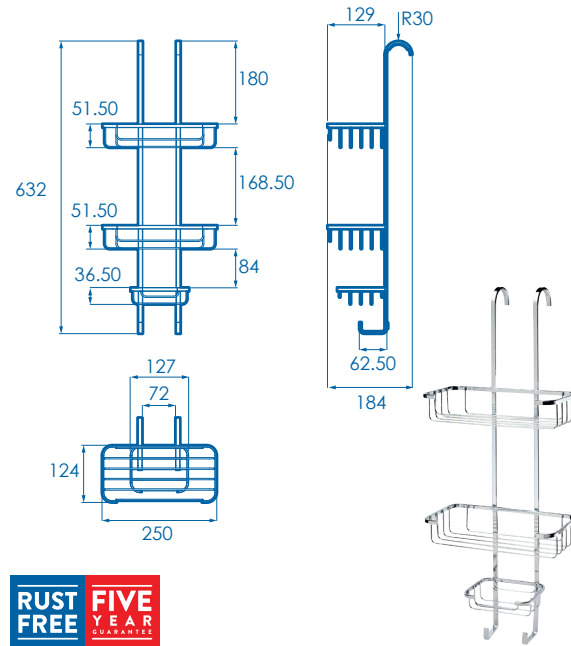
PRODUCT CODE	QM263841
PACKAGING	Card wrap and euro slot
DIMENSIONS (HxWxD)	303x283x167mm
PRICE	£23.93

## THREE TIER CORNER BASKET



PRODUCT CODE	QM262841
PACKAGING	Card wrap and euro slot
DIMENSIONS (HxWxD)	482x275x 165mm
PRICE	£27.69

## HOOK OVER THREE TIER BASKET



PRODUCT CODE	QM264341
PACKAGING	Card wrap and euro slot
DIMENSIONS (HxWxD)	632x250x184mm
PRICE	£33.33

# Stainless Steel Wire Bathroom Storage

These modern stainless steel baskets provide the perfect storage solution for your bathroom.

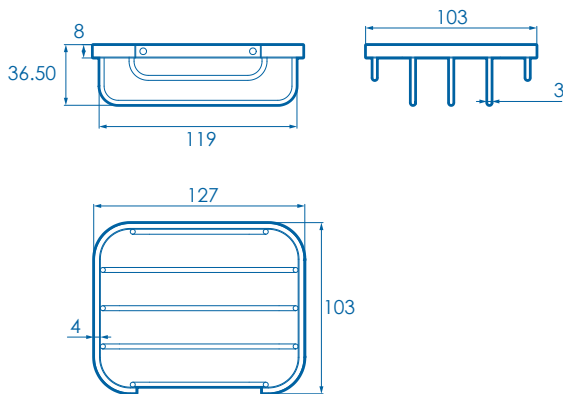
## FEATURES

- A range of wire bathroom storage baskets provide a variety of options to suit the additional storage space you require.
- Each product in the range comes with a rust free 10 year guarantee, providing piece of mind that your product won't rust.
- Suitable for use with the 'wet' shower area.
- All fixings are included to make these products easy to fit.
- Made from durable chrome plated corrosion resistant stainless steel.

**RUST FREE** **TEN YEAR** GUARANTEE

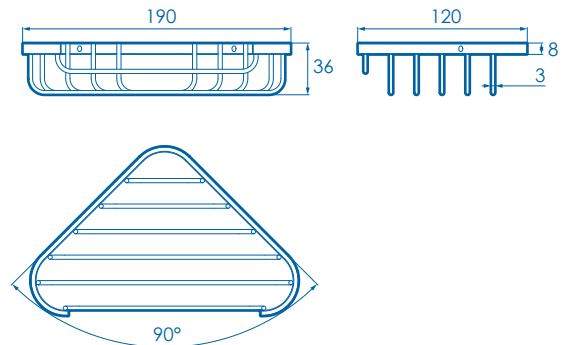


## SOAP DISH



**RUST FREE** **TEN YEAR** GUARANTEE

## CORNER SOAP DISH

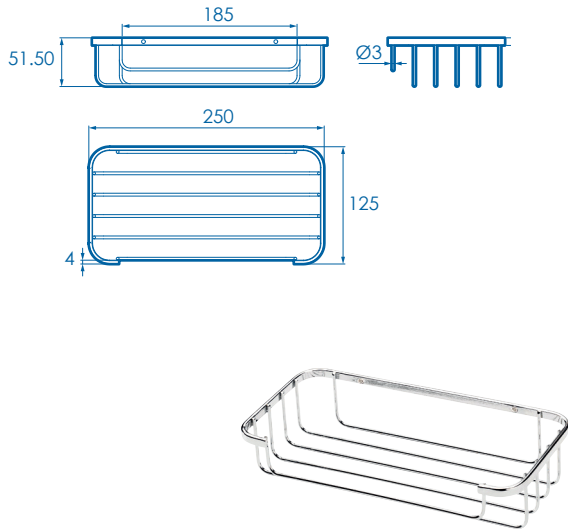


**RUST FREE** **TEN YEAR** GUARANTEE

PRODUCT CODE	QM391941	PRODUCT CODE	QM390941
PACKAGING	Card wrap and euro slot	PACKAGING	Card wrap and euro slot
DIMENSIONS (HxWxD)	36.50x119x103mm	DIMENSIONS (HxWxD)	36x190x120mm
PRICE	£9.37	PRICE	£12.66

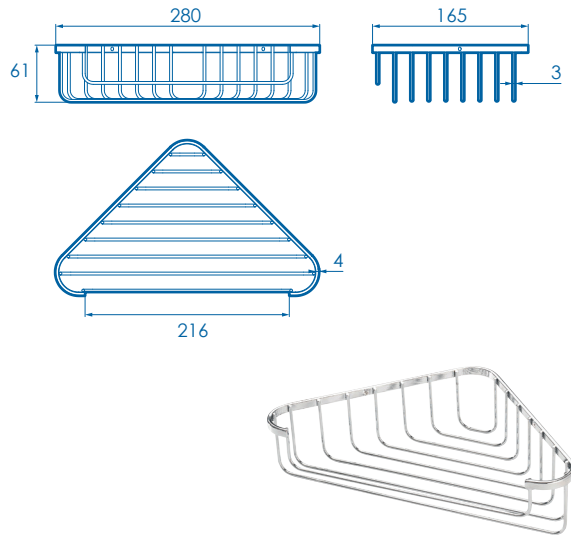
# Stainless Steel Wire Bathroom Storage

## COSMETIC BASKET



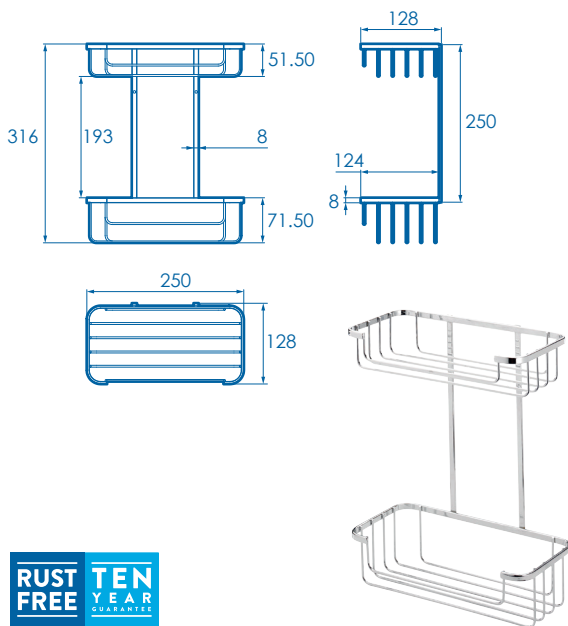
PRODUCT CODE	QM390641
PACKAGING	Card wrap and euro slot
DIMENSIONS (HxWxD)	51.50x250x125mm
PRICE	£18.77

## CORNER BASKET



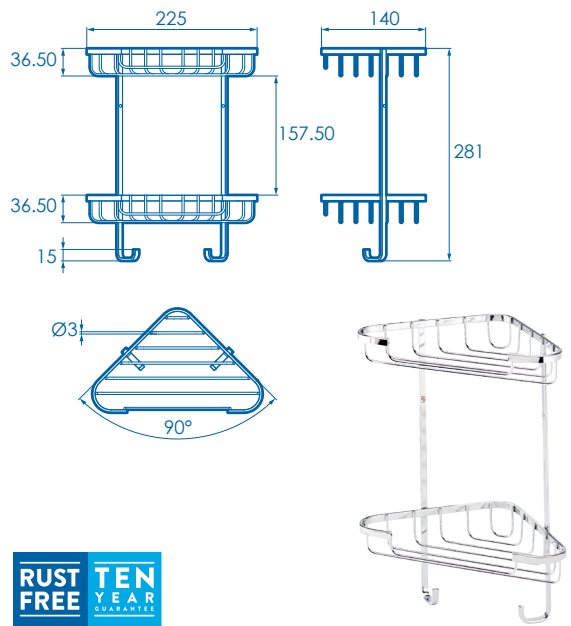
PRODUCT CODE	QM395941
PACKAGING	Card wrap and euro slot
DIMENSIONS (HxWxD)	61x280x165mm
PRICE	£18.77

## TWO TIER COSMETIC BASKET



PRODUCT CODE	QM390541
PACKAGING	Card wrap and euro slot
DIMENSIONS (HxWxD)	316x250x128mm
PRICE	£35.67

## SMALL TWO TIER CORNER BASKET



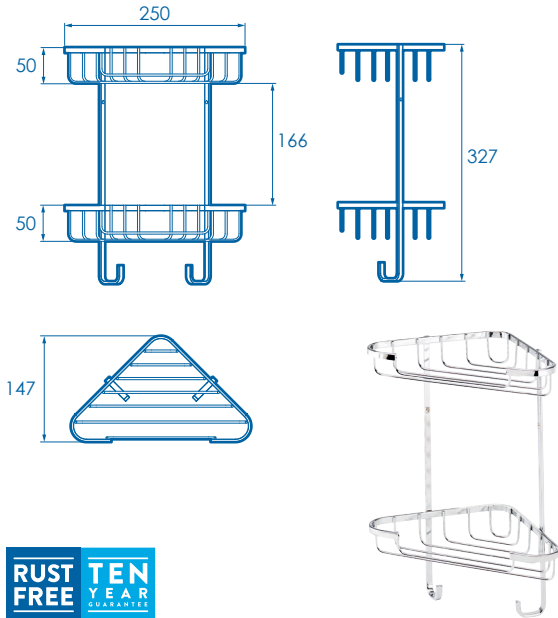
PRODUCT CODE	QM390841
PACKAGING	Card wrap and euro slot
DIMENSIONS (HxWxD)	281x225x140mm
PRICE	£28.16

WALL MOUNTED/  
SEMI PERMANENT  
ACCESSORIES

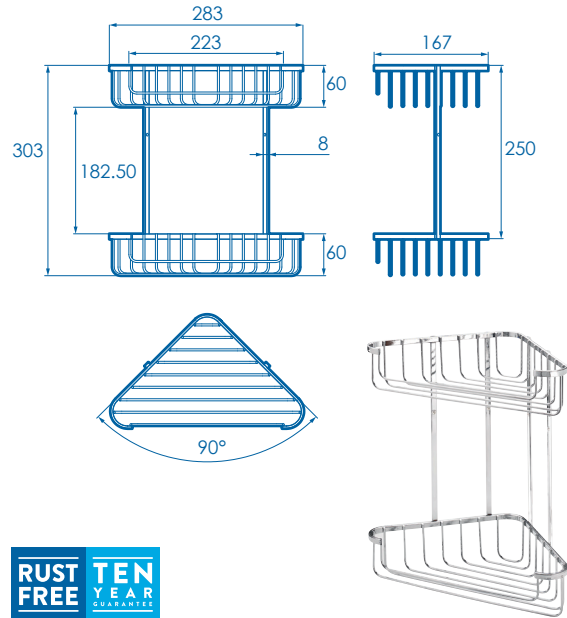


# Stainless Steel Wire Bathroom Storage

## MEDIUM TWO TIER CORNER BASKET



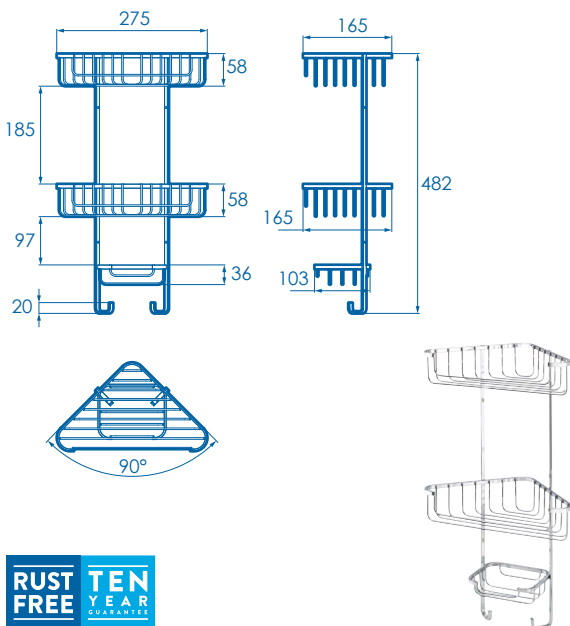
## LARGE TWO TIER CORNER BASKET



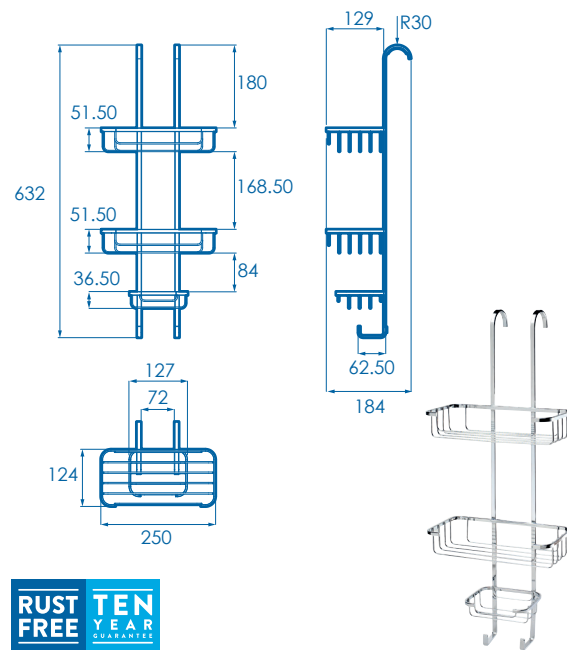
PRODUCT CODE	QM390241
PACKAGING	Card wrap and euro slot
DIMENSIONS (HxWxD)	327x250x147mm
PRICE	£32.86

PRODUCT CODE	QM393841
PACKAGING	Card wrap and euro slot
DIMENSIONS (HxWxD)	303x283x167mm
PRICE	£37.55

## THREE TIER CORNER BASKET



## HOOK-OVER THREE TIER BASKET



PRODUCT CODE	QM392841
PACKAGING	Card wrap and euro slot
DIMENSIONS (HxWxD)	482x275x165mm
PRICE	£49.76

PRODUCT CODE	QM394341
PACKAGING	Card wrap and euro slot
DIMENSIONS (HxWxD)	632x250x184mm
PRICE	£51.64

# Slimline Aluminium Wire Bathroom Storage

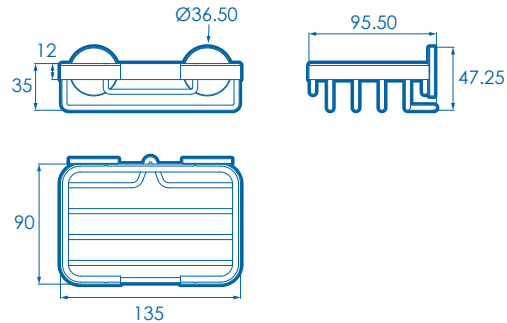
These contemporary aluminium baskets help create a modern look in your bathroom whilst providing the perfect storage solution.

## FEATURES

- With many sizes and designs to choose from, these slimline aluminium wire bathroom baskets provide the perfect additional storage space.
- Each product in the range comes with a rust free lifetime guarantee, providing peace of mind that your product won't rust.
- Suitable for use with the 'wet' shower area.
- All fixings are included to make these products easy to fit.
- Chrome plated aluminium construction

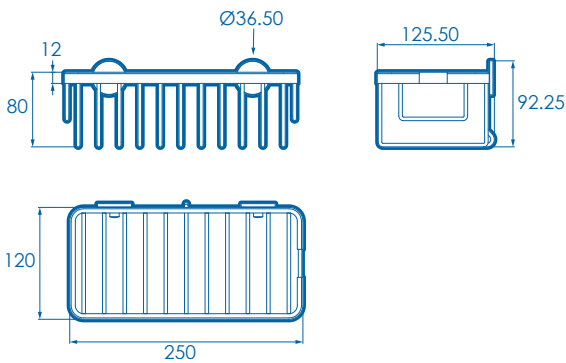


## SOAP BASKET



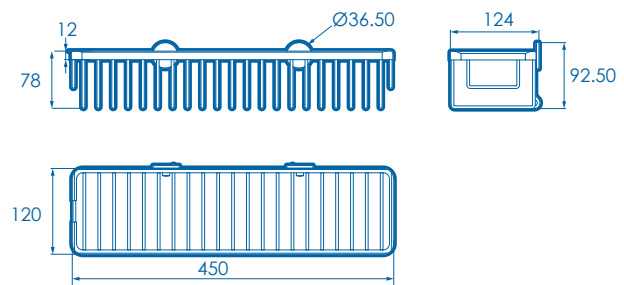
PRODUCT CODE	QM781941
PACKAGING	Card wrap and euro slot
DIMENSIONS (HxWxD)	47.25x135x95.50mm
PRICE	£14.07

## COSMETIC BASKET



PRODUCT CODE	QM780641
PACKAGING	Card wrap and euro slot
DIMENSIONS (HxWxD)	92.25x250x125.50mm
PRICE	£23.47

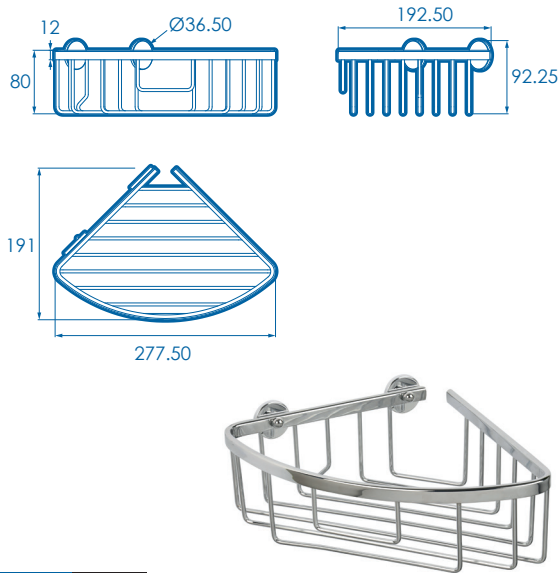
## LONG COSMETIC BASKET



PRODUCT CODE	QM780741
PACKAGING	Card wrap and euro slot
DIMENSIONS (HxWxD)	92.50x450x124mm
PRICE	£32.86

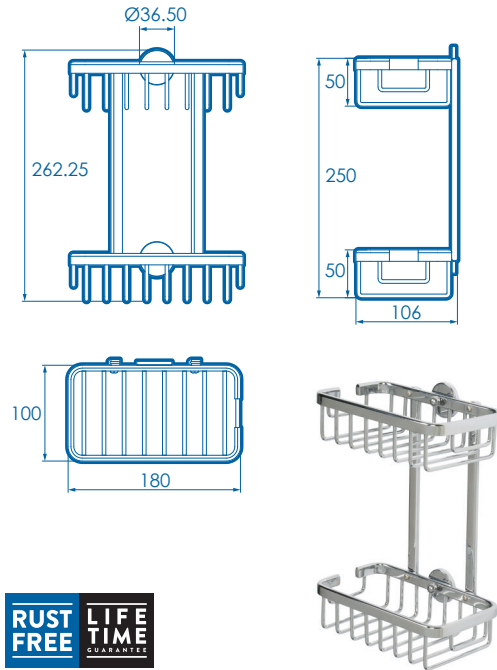
# Slimline Aluminium Wire Bathroom Storage

## CORNER BASKET



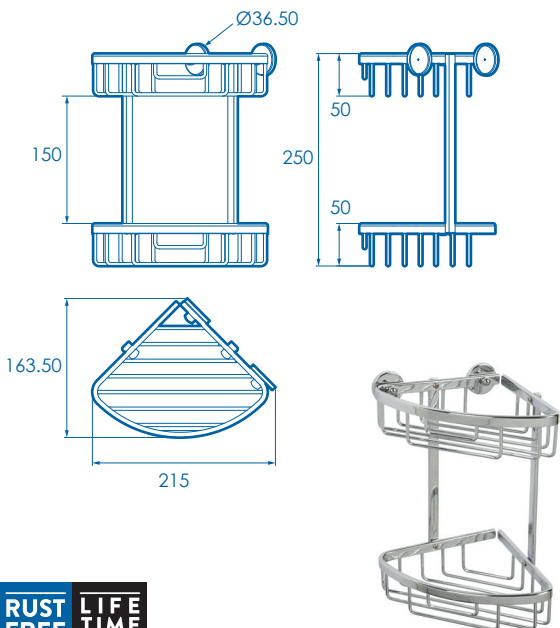
PRODUCT CODE	QM785941
PACKAGING	Card wrap and euro slot
DIMENSIONS (HxWxD)	92.25x277.50x192.50mm
PRICE	£23.46

## TWO TIER BASKET



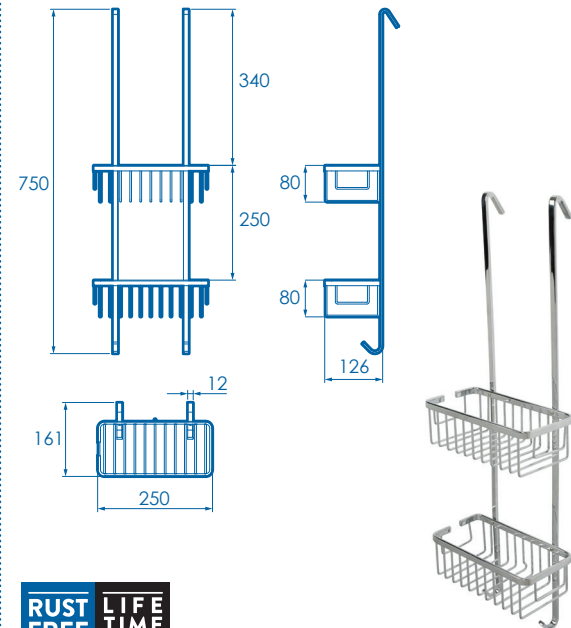
PRODUCT CODE	QM786041
PACKAGING	Card wrap and euro slot
DIMENSIONS (HxWxD)	262.25x180x106mm
PRICE	£37.56

## TWO TIER CORNER BASKET



PRODUCT CODE	QM783841
PACKAGING	Card wrap and euro slot
DIMENSIONS (HxWxD)	250x215x163.50mm
PRICE	£37.56

## TWO TIER HOOK OVER BASKET



PRODUCT CODE	QM784341
PACKAGING	Card wrap and euro slot
DIMENSIONS (HxWxD)	750x250x126mm
PRICE	£51.64

WALL MOUNTED/  
SEMI PERMANENT  
ACCESSORIES

# Aluminium Wire Bathroom Storage

These contemporary aluminium baskets help create a modern look in your bathroom whilst providing the perfect storage solution.

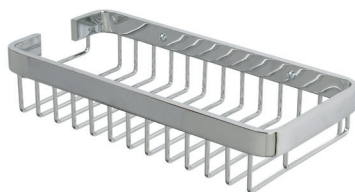
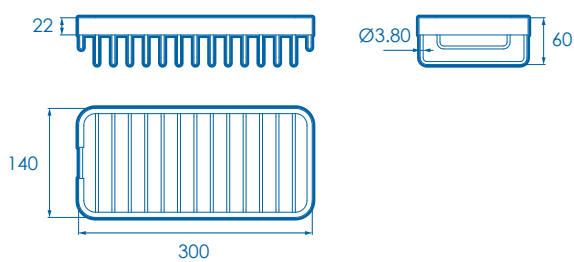
## FEATURES

- With many sizes and designs to choose from, these slimline aluminium wire bathroom baskets provide the perfect additional storage space.
- Each product in the range comes with a rust free lifetime guarantee, providing peace of mind that your product won't rust.
- Suitable for use with the 'wet' shower area.
- All fixings are included to make these products easy to fit.
- Chrome plated aluminium construction

**RUST FREE** **LIFE TIME**  
GUARANTEE

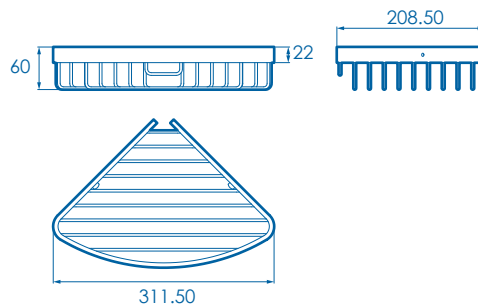


## COSMETIC BASKET



**RUST FREE** **LIFE TIME**  
GUARANTEE

## CORNER BASKET

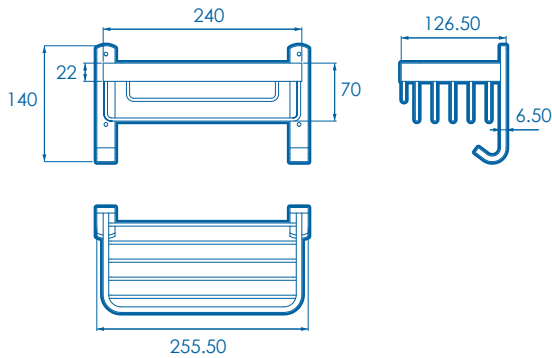


**RUST FREE** **LIFE TIME**  
GUARANTEE

PRODUCT CODE	QM770641	PRODUCT CODE	QM775941
PACKAGING	Card wrap and euro slot	PACKAGING	Card wrap and euro slot
DIMENSIONS (HxWxD)	60x300x140mm	DIMENSIONS (HxWxD)	60x311.50x208.50mm
PRICE	£28.16	PRICE	£28.16

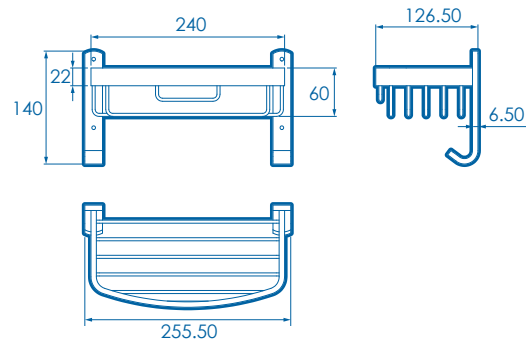
# Aluminium Wire Bathroom Storage

## LARGE BASKET



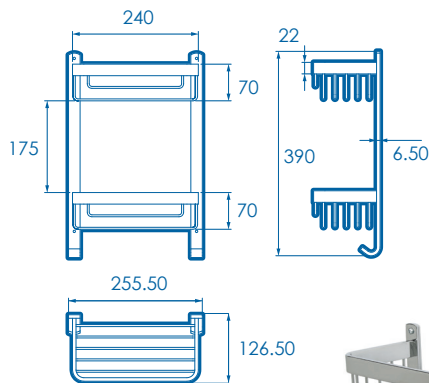
PRODUCT CODE	QM770341
PACKAGING	Card wrap and euro slot
DIMENSIONS (HxWxD)	140x255.50x126.50mm
PRICE	£28.16

## LARGE CURVED BASKET



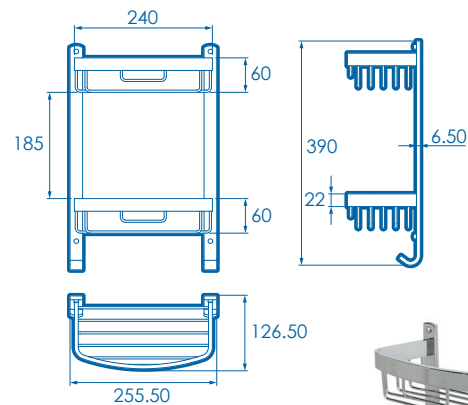
PRODUCT CODE	QM770541
PACKAGING	Card wrap and euro slot
DIMENSIONS (HxWxD)	140x255.50x126.50mm
PRICE	£28.16

## LARGE TWO TIER BASKET



PRODUCT CODE	QM770841
PACKAGING	Card wrap and euro slot
DIMENSIONS (HxWxD)	390x255.50x126.50mm
PRICE	£46.94

## LARGE TWO TIER CURVED BASKET

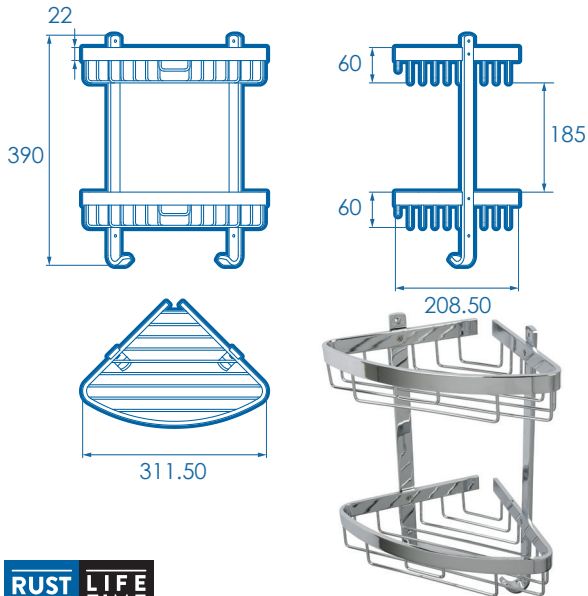


PRODUCT CODE	QM773841
PACKAGING	Card wrap and euro slot
DIMENSIONS (HxWxD)	390x255.50x126.50mm
PRICE	£46.94

WALL MOUNTED/  
SEMI PERMANENT  
ACCESSORIES

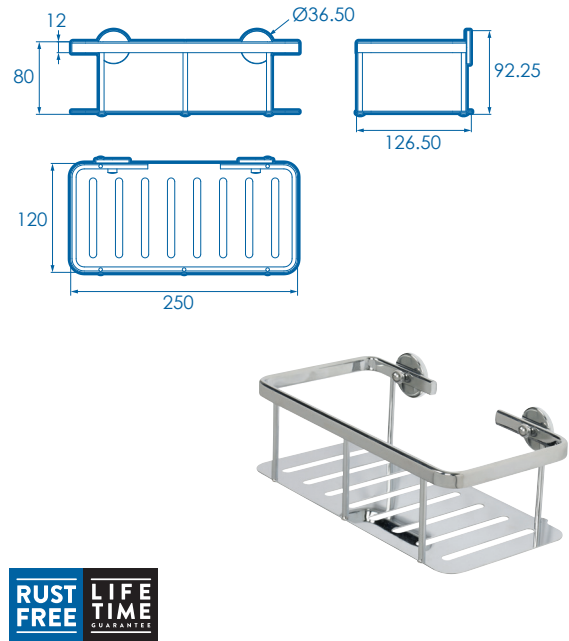
# Aluminium Wire Bathroom Storage

## LARGE TWO TIER CORNER BASKET



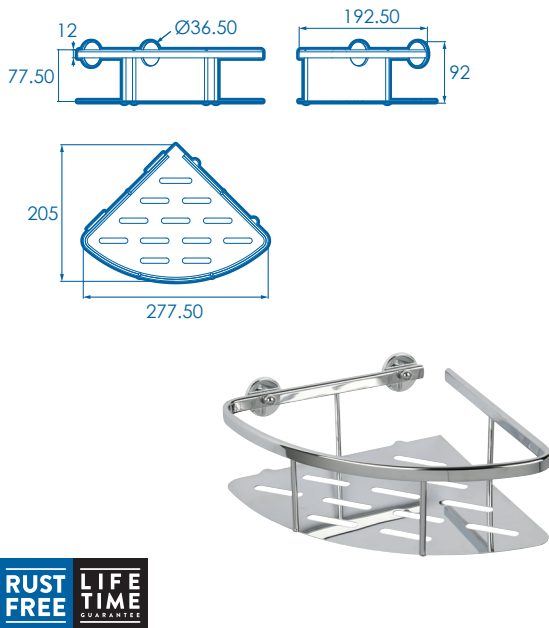
PRODUCT CODE	QM772841
PACKAGING	Card wrap and euro slot
DIMENSIONS (HxWxD)	390x311.50x208.50mm
PRICE	£46.94

## COSMETIC BASKET



PRODUCT CODE	QM790641
PACKAGING	Card wrap and euro slot
DIMENSIONS (HxWxD)	80x250x126.50mm
PRICE	£28.16

## CORNER BASKET



PRODUCT CODE	QM795941
PACKAGING	Card wrap and euro slot
DIMENSIONS (HxWxD)	92x277.50x205mm
PRICE	£28.16



# Flexi-Fix Wire Bathroom Storage

The Charwood range of Flexi-Fix wire bathroom storage provides an easy fix solution for your bathroom storage needs.

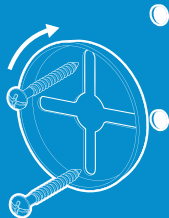
## FEATURES

- Range of styles and designs are available.
- Three ways to fix, you choose how.
- No drills required with the unique X plates aligning to old holes.
- Each product in the range comes with a rust free 5 year guarantee, providing peace of mind that your product won't rust.
- Suitable for use with the 'wet' shower area.
- All fixings are included.
- Made from durable chrome plated mild steel.

## THREE WAYS TO FIX

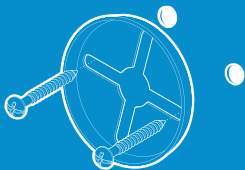
### 1. RE-FIX

Aligns to old holes



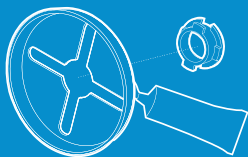
### 2. SCREW-FIX

To new holes



### 3. GLUE-FIX

To most surfaces



**RUST  
FREE**

**FIVE  
YEAR  
GUARANTEE**

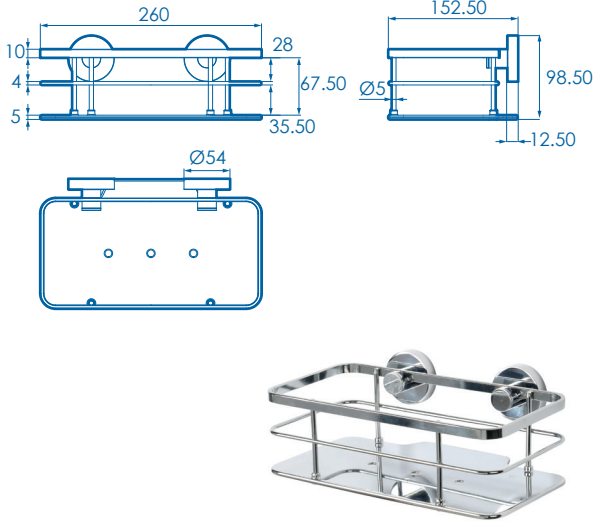
**Flexi Fix™**  
SCREW OR GLUE



WALL MOUNTED/  
SEMI PERMANENT  
ACCESSORIES

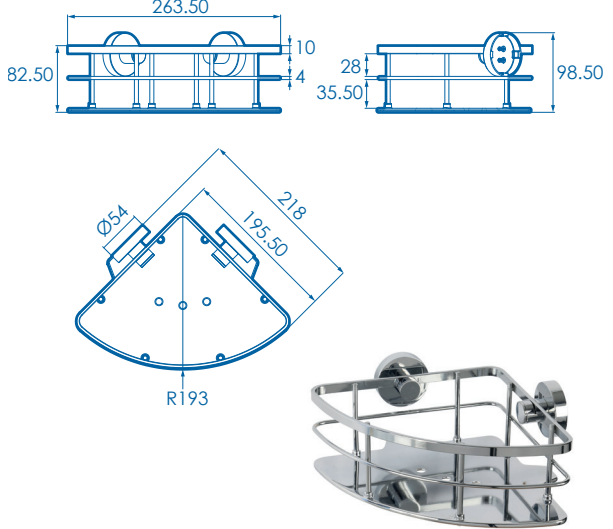
# Flexi-Fix Wire Bathroom Storage

## CHARLWOOD FLEXI-FIX COSMETIC BASKET



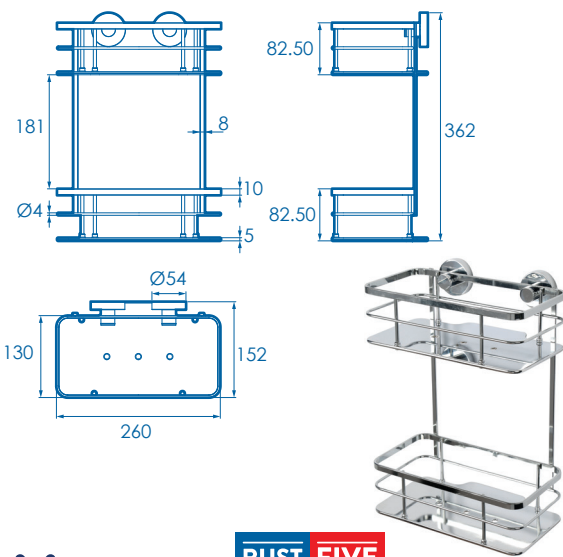
PRODUCT CODE	QM810641
PACKAGING	Full colour box
DIMENSIONS (HxWxD)	98.50x260x98.50mm
PRICE	£32.86

## CHARLWOOD FLEXI-FIX CORNER BASKET



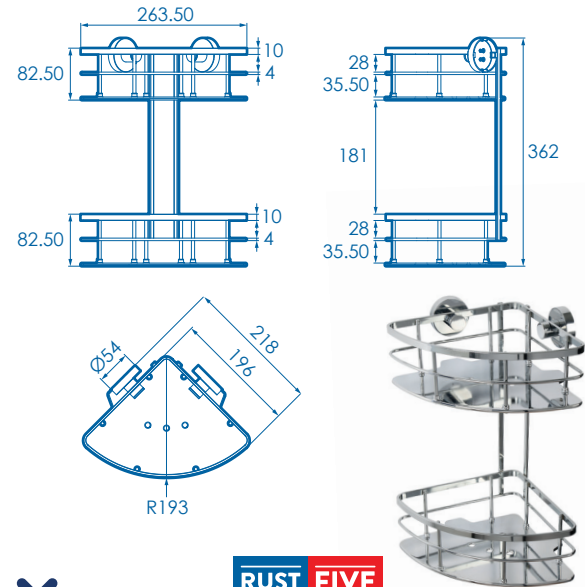
PRODUCT CODE	QM810941
PACKAGING	Full colour box
DIMENSIONS (HxWxD)	98.50x263.50x218mm
PRICE	£32.86

## CHARLWOOD FLEXI-FIX TWO TIER COSMETIC BASKET



PRODUCT CODE	QM810541
PACKAGING	Full colour box
DIMENSIONS (HxWxD)	362x260x130mm
PRICE	£56.34

## CHARLWOOD FLEXI-FIX TWO TIER CORNER BASKET



PRODUCT CODE	QM813841
PACKAGING	Full colour box
DIMENSIONS (HxWxD)	362x263.50x218mm
PRICE	£56.34

WALL MOUNTED/  
SEMI PERMANENT  
ACCESSORIES



# Romsey Wall Mounted Accessories

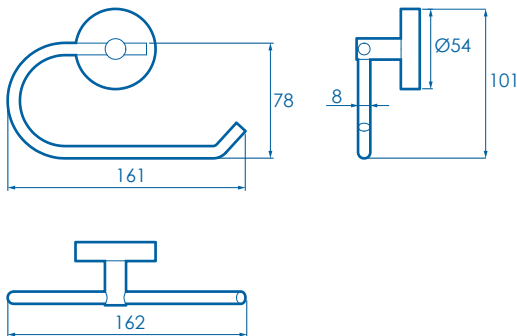
The Romsey range of accessories are modern in design and use the Flexi-Fix innovation to provide three ways to fix to your wall.

## FEATURES

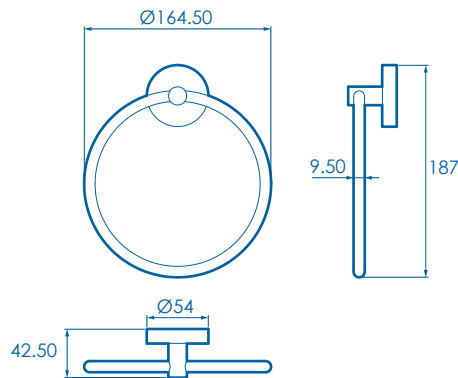
- Three ways to fix (see page 103), you choose how – Re-Fix, Screw Fix or Glue Fix.
- Suitable to fit into any bathroom.
- All fixings are included to make these products easy to fit.
- Co-ordinating storage baskets available (see page 104).
- Made from durable zinc alloy construction with high quality chrome plated finish.



## TOILET ROLL HOLDER



## TOWEL RING

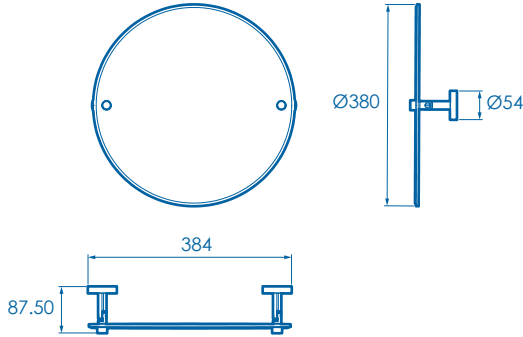


PRODUCT CODE	QM741141
PACKAGING	Blister pack with euro slot
DIMENSIONS (HxWxD)	101x162x78mm
PRICE	£14.08

PRODUCT CODE	QM741541
PACKAGING	Blister pack with euro slot
DIMENSIONS (HxWxD)	187x164.50x42.50mm
PRICE	£15.96

# Romsey Wall Mounted Accessories

## MIRROR

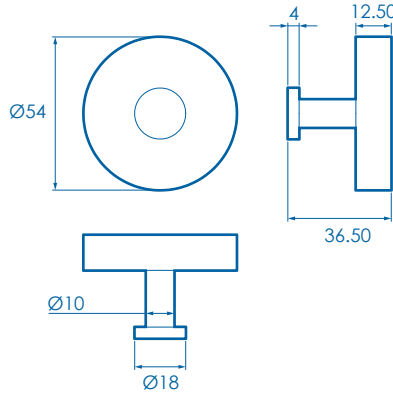


- Does not include the glue fixing method



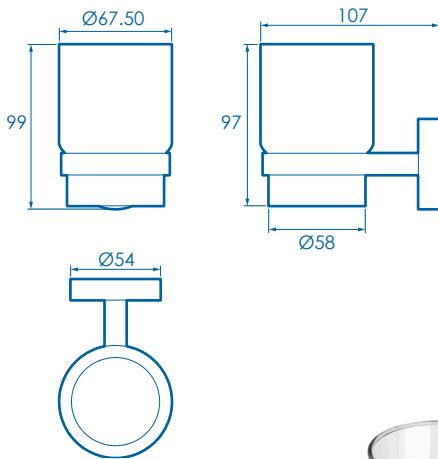
PRODUCT CODE	QM741041
PACKAGING	Blister pack with euro slot
DIMENSIONS (HxWxD)	380x380x87.50mm
PRICE	£56.33

## ROBE HOOK



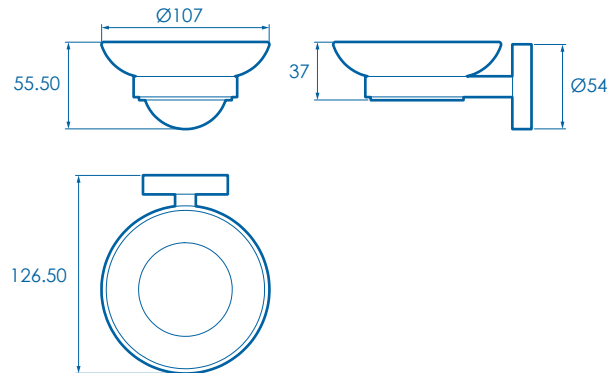
PRODUCT CODE	QM741741
PACKAGING	Blister pack with euro slot
DIMENSIONS (HxWxD)	54x54x36.50mm
PRICE	£8.44

## TUMBLER AND HOLDER



PRODUCT CODE	QM741841
PACKAGING	Blister pack with euro slot
DIMENSIONS (HxWxD)	99x67.50x107mm
PRICE	£16.90

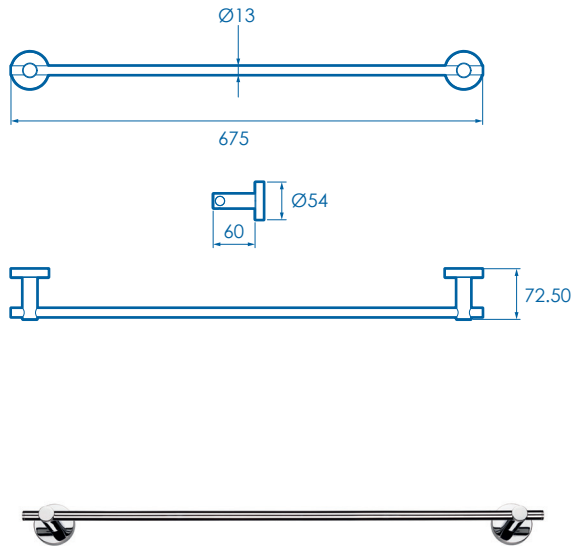
## SOAP DISH AND HOLDER



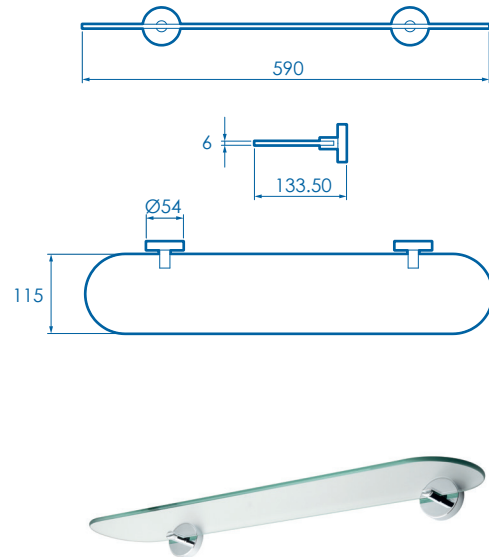
PRODUCT CODE	QM741941
PACKAGING	Blister pack with euro slot
DIMENSIONS (HxWxD)	55.60x54x126.50mm
PRICE	£16.90

# Romsey Wall Mounted Accessories

## TOWEL RAIL



## GLASS SHELF



PRODUCT CODE	QM742741
PACKAGING	Blister pack with euro slot
DIMENSIONS (HxWxD)	54x675x72.50mm
PRICE	£24.41

PRODUCT CODE	QM741441
PACKAGING	Blister pack with euro slot
DIMENSIONS (HxWxD)	54x540x115mm
PRICE	£24.41



# Wimborne Wall Mounted Accessories

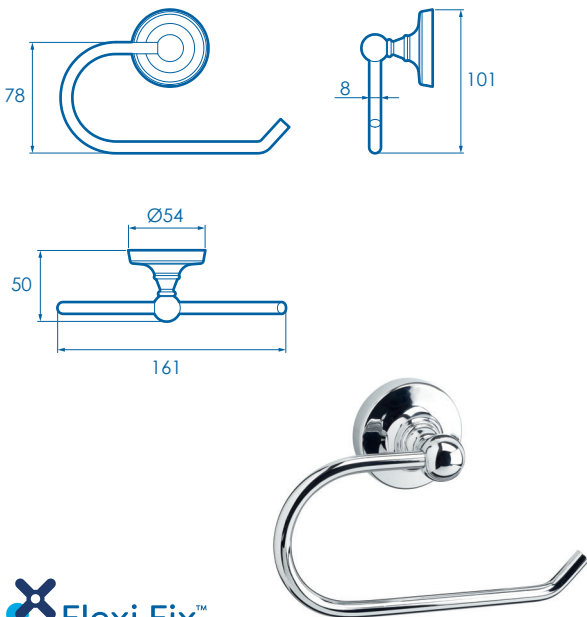
The Wimborne range of accessories are traditional in design and use the Flexi-Fix innovation to provide three ways to fix to your wall.

## FEATURES

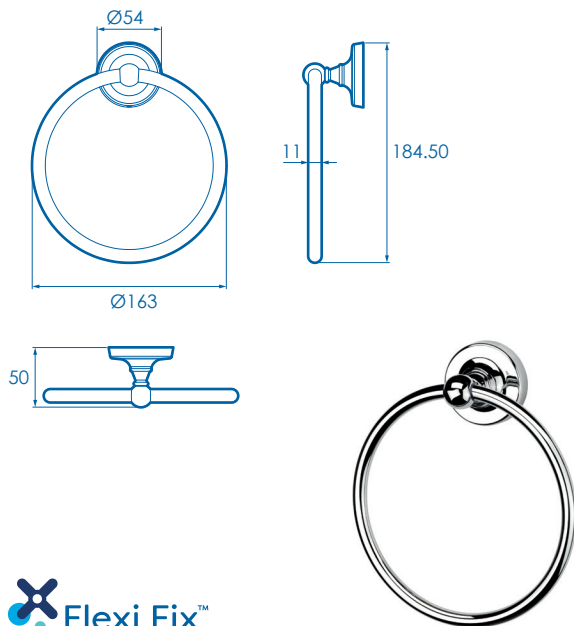
- Three ways to fix (see page 103) you choose how – Re-Fix, Screw Fix or Glue Fix.
- Suitable to fit into any bathroom.
- All fixings are included to make these products easy to fit.
- Co-ordinating storage baskets available (see page 104).
- Made from durable zinc alloy construction with high quality chrome plated finish.



## TOILET ROLL HOLDER



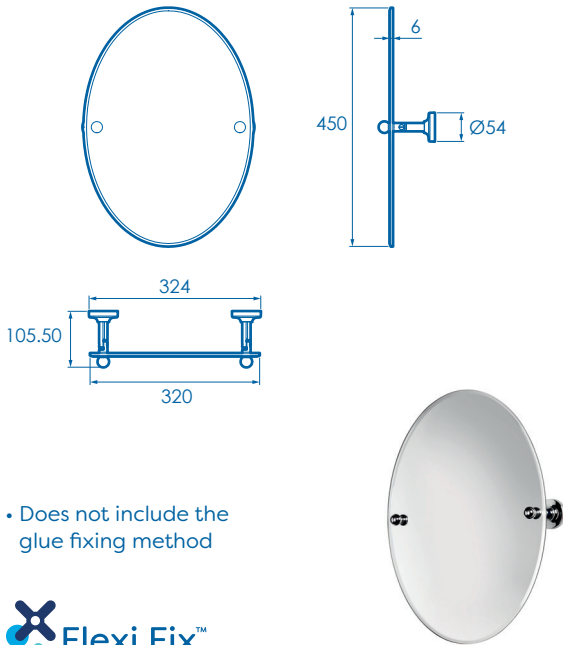
## TOWEL RING



PRODUCT CODE	QM751141	PRODUCT CODE	QM751541
PACKAGING	Blister pack with euro slot	PACKAGING	Blister pack with euro slot
DIMENSIONS (HxWxD)	101x161x54mm	DIMENSIONS (HxWxD)	184.50x163x50mm
PRICE	£14.08	PRICE	£15.96

# Wimborne Wall Mounted Accessories

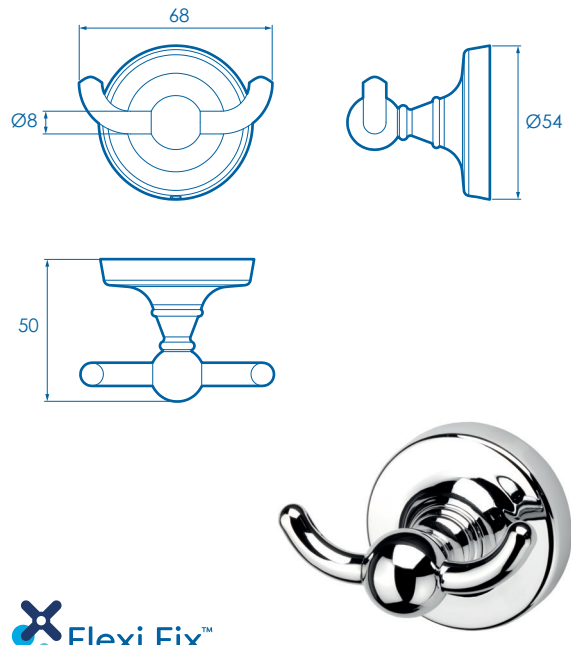
## MIRROR



• Does not include the glue fixing method



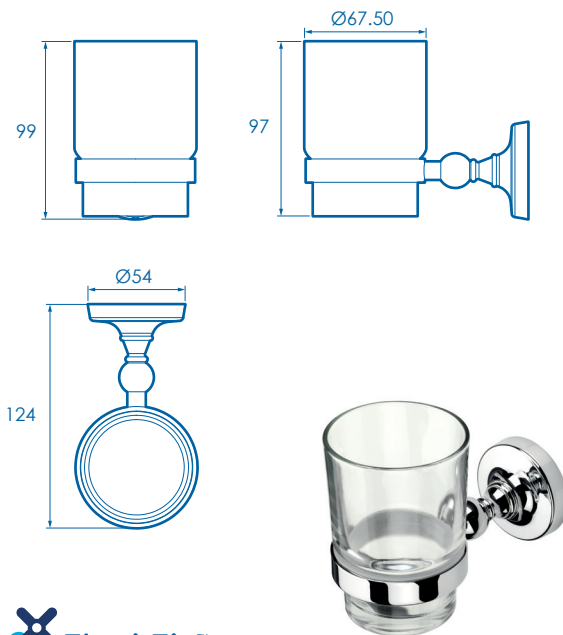
## DOUBLE ROBE HOOK



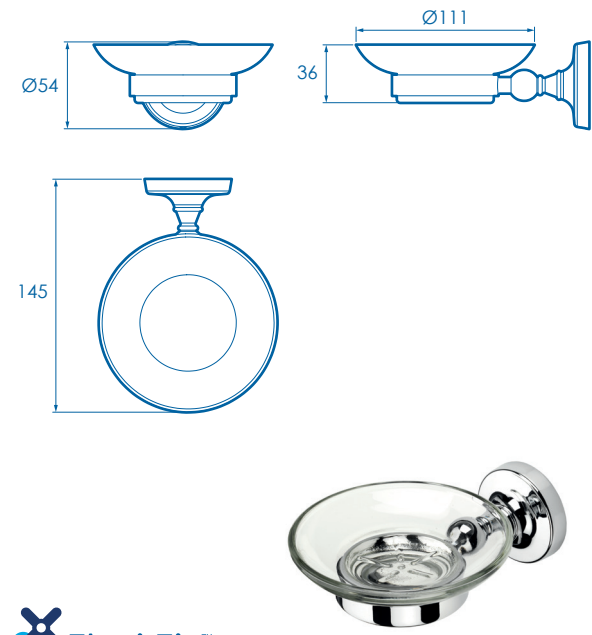
PRODUCT CODE	QM751041
PACKAGING	Blister pack with euro slot
DIMENSIONS (HxWxD)	450x320x105.50mm
PRICE	£56.33

PRODUCT CODE	QM751741
PACKAGING	Blister pack with euro slot
DIMENSIONS (HxWxD)	54x68x50mm
PRICE	£8.44

## TUMBLER AND HOLDER



## SOAP DISH AND HOLDER

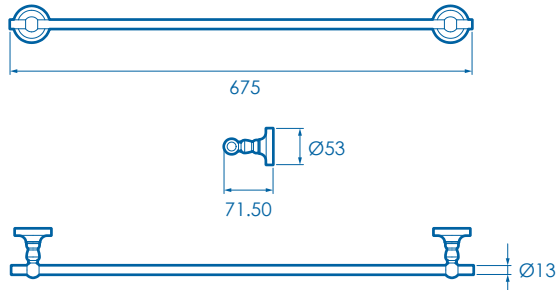


PRODUCT CODE	QM751841
PACKAGING	Blister pack with euro slot
DIMENSIONS (HxWxD)	99x67.50x124mm
PRICE	£16.90

PRODUCT CODE	QM751941
PACKAGING	Blister pack with euro slot
DIMENSIONS (HxWxD)	54x111x145mm
PRICE	£16.90

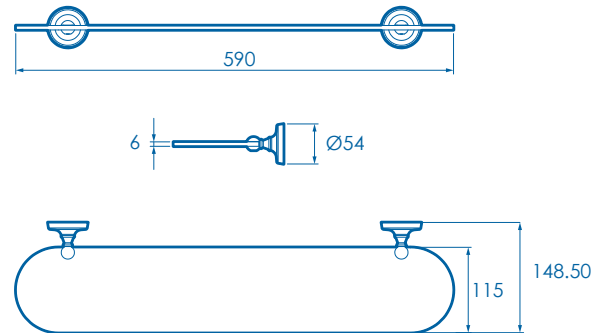
# Wimborne Wall Mounted Accessories

## TOWEL RAIL



 Flexi Fix™

## GLASS SHELF



 Flexi Fix™

PRODUCT CODE	QM752741	PRODUCT CODE	QM751441
PACKAGING	Blister pack with euro slot	PACKAGING	Blister pack with euro slot
DIMENSIONS (HxWxD)	53x675x71.50mm	DIMENSIONS (HxWxD)	54x590x148.50mm
PRICE	£24.41	PRICE	£24.41



# Chester Wall Mounted Accessories

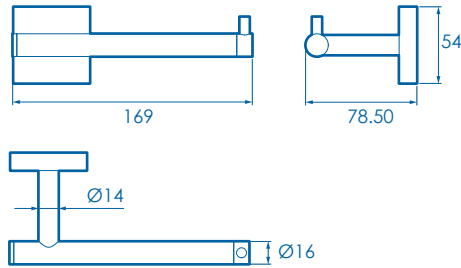
The Chester range of accessories are contemporary in design and use the Flexi-Fix innovation to provide three ways to fix to your wall.

## FEATURES

- Three ways to fix (see page 103) you choose how – Re-Fix, Screw Fix or Glue Fix.
- Suitable to fit into any bathroom.
- All fixings are included to make these products easy to fit.
- Co-ordinating storage baskets available (see page 104).
- Made from durable zinc alloy construction with high quality chrome plated finish.

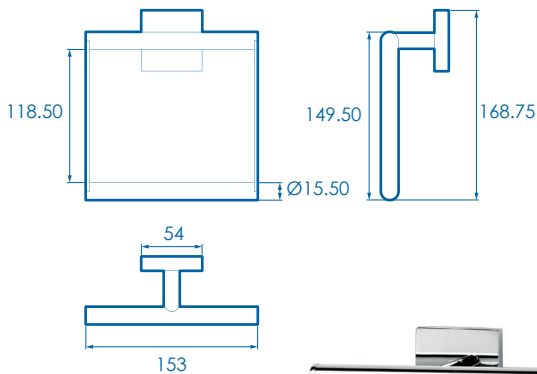


## TOILET ROLL HOLDER



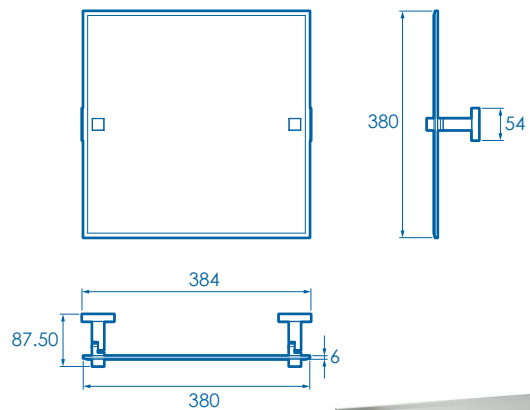
PRODUCT CODE	QM441141
PACKAGING	Full colour box
DIMENSIONS (HxWxD)	54x169x78.50mm
PRICE	£18.78

## TOWEL RING



PRODUCT CODE	QM441541
PACKAGING	Full colour box
DIMENSIONS (HxWxD)	168.75x153x58mm
PRICE	£23.48

## CHESTER MIRROR



- Does not include the glue fixing method

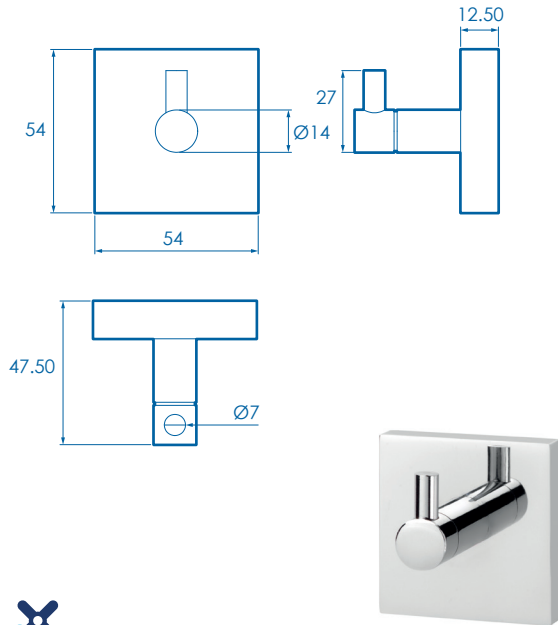


PRODUCT CODE	QM441041
PACKAGING	Full colour box
DIMENSIONS (HxWxD)	380x384x87.50mm
PRICE	£51.64

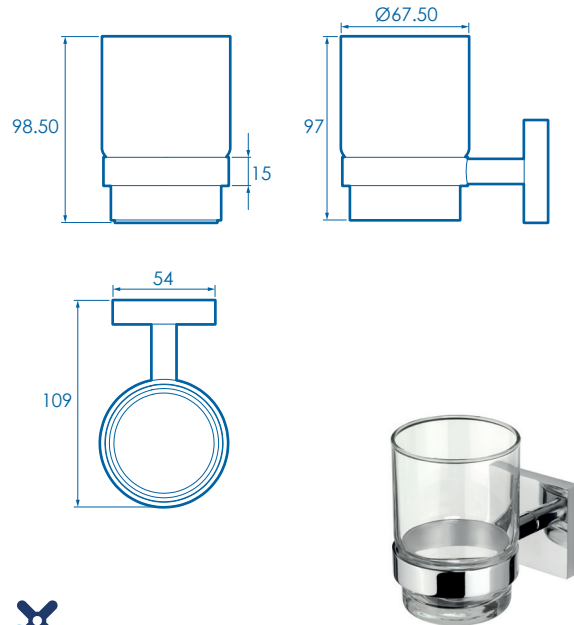
WALL MOUNTED/  
SEMI PERMANENT  
ACCESSORIES

# Chester Wall Mounted Accessories

## ROBE HOOK

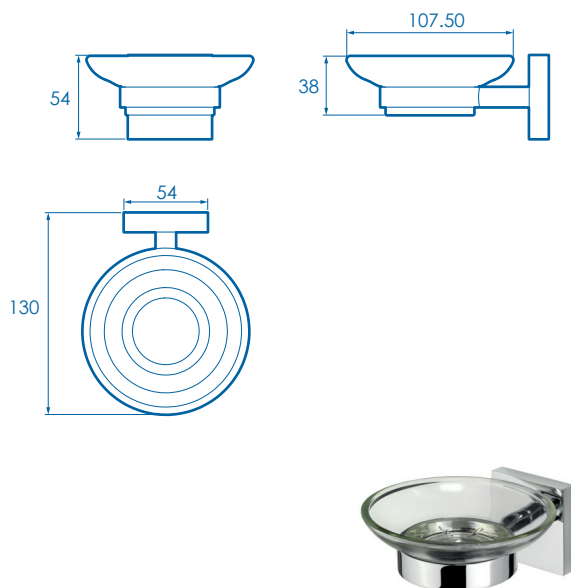


## TUMBLER AND HOLDER

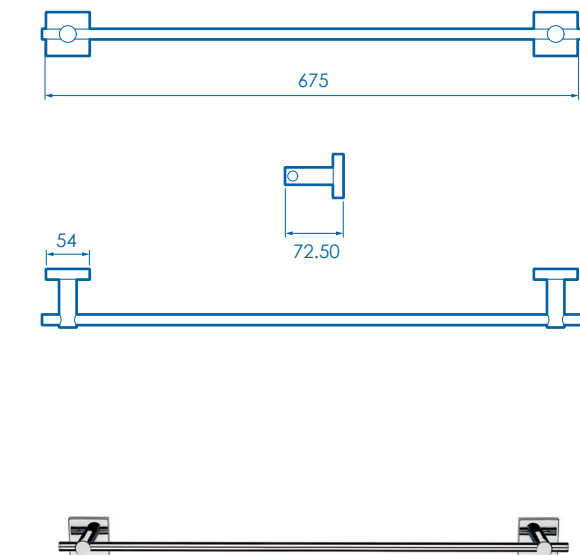


PRODUCT CODE	QM441741	PRODUCT CODE	QM441841
PACKAGING	Full colour box	PACKAGING	Full colour box
DIMENSIONS (HxWxD)	54x54x47.50mm	DIMENSIONS (HxWxD)	97x67.50x109mm
PRICE	£12.21	PRICE	£21.60

## SOAP DISH AND HOLDER



## TOWEL RAIL

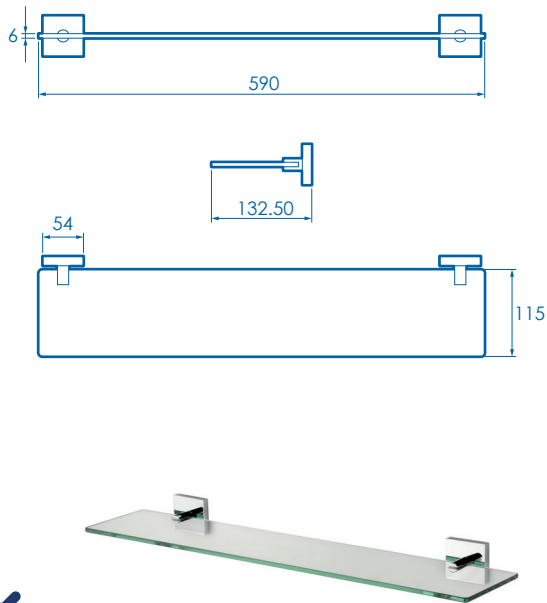


PRODUCT CODE	QM441941	PRODUCT CODE	QM442741
PACKAGING	Full colour box	PACKAGING	Full colour box
DIMENSIONS (HxWxD)	54x107.50x130mm	DIMENSIONS (HxWxD)	54x675x72.50mm
PRICE	£21.60	PRICE	£30.98

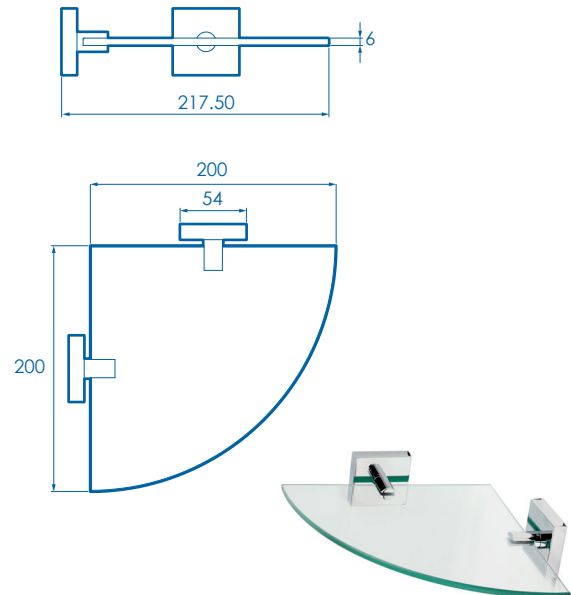


# Chester Wall Mounted Accessories

## GLASS SHELF



## GLASS CORNER SHELF



PRODUCT CODE	QM441441	PRODUCT CODE	QM445941
PACKAGING	Full colour box	PACKAGING	Full colour box
DIMENSIONS (HxWxD)	115x590x132.50mm	DIMENSIONS (HxWxD)	217.50x200x200mm
PRICE	£30.98	PRICE	£22.53



# Epsom Wall Mounted Accessories

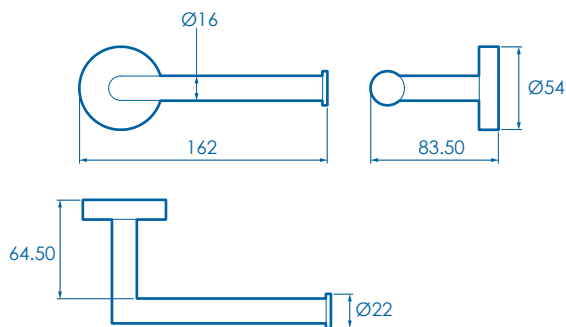
The Epsom range of accessories are modern and robust in design and use the Flexi-Fix innovation to provide three ways to fix to your wall.

## FEATURES

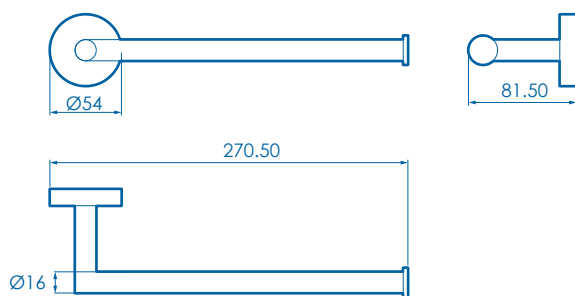
- Three ways to fix (see page 103), you choose how – Re-Fix, Screw Fix or Glue Fix.
- Suitable to fit into any bathroom.
- All fixings are included to make these products easy to fit.
- Co-ordinating storage baskets available (see page 104).
- Made from durable zinc alloy construction with high quality chrome plated finish



## TOILET ROLL HOLDER



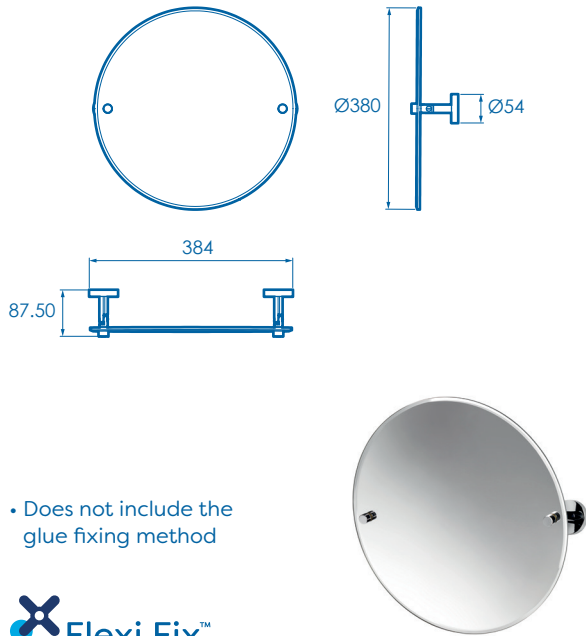
## TOWEL BAR



PRODUCT CODE	QM481141	PRODUCT CODE	QM481541
PACKAGING	Full colour box	PACKAGING	Full colour box
DIMENSIONS (HxWxD)	54x162x83.50mm	DIMENSIONS (HxWxD)	54x270.50x81.50mm
PRICE	£18.78	PRICE	£20.66

# Epsom Wall Mounted Accessories

## MIRROR

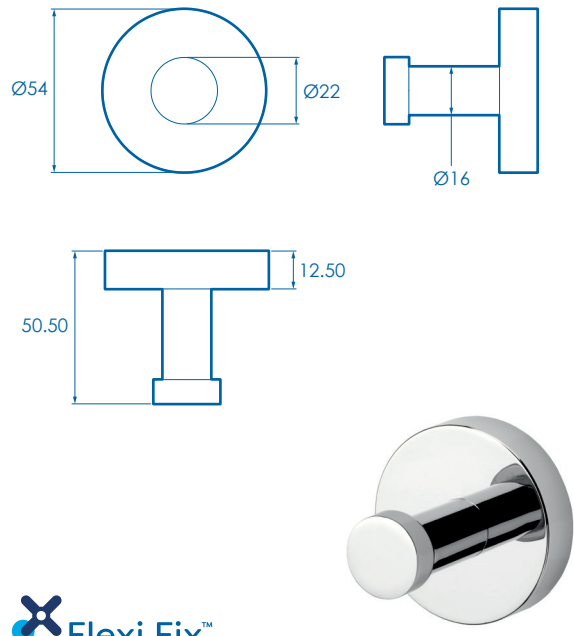


• Does not include the glue fixing method



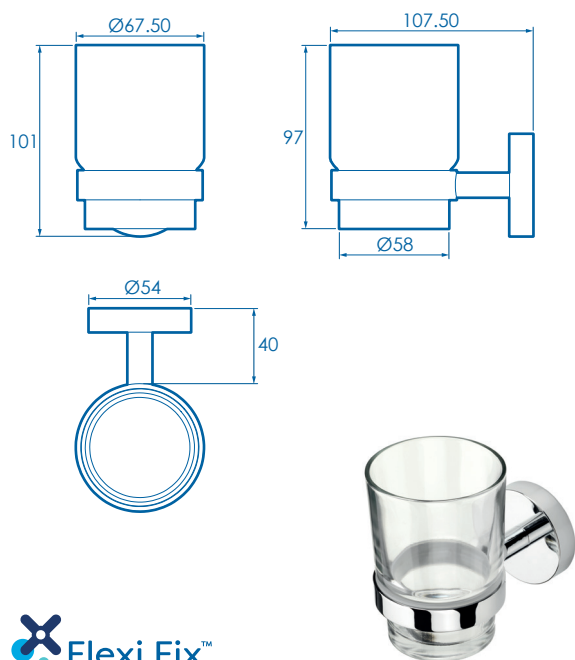
PRODUCT CODE	QM411041
PACKAGING	Full colour box
DIMENSIONS (HxWxD)	380x384x87.50mm
PRICE	£46.94

## ROBE HOOK



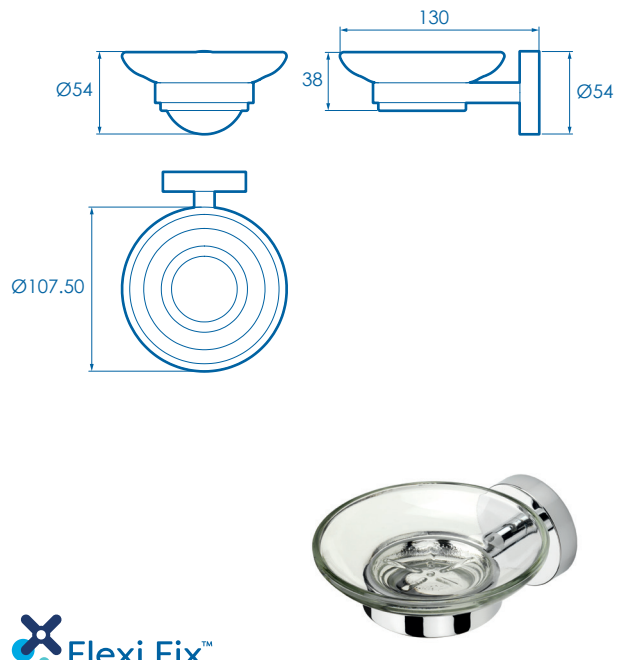
PRODUCT CODE	QM481741
PACKAGING	Full colour box
DIMENSIONS (HxWxD)	54x54x50.50mm
PRICE	£12.21

## TUMBLER AND HOLDER



PRODUCT CODE	QM481841
PACKAGING	Full colour box
DIMENSIONS (HxWxD)	97x67.50x107.50mm
PRICE	£21.60

## SOAP DISH AND HOLDER

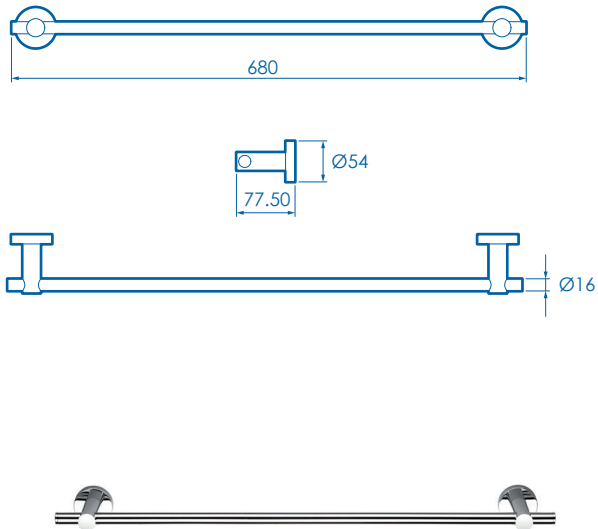


PRODUCT CODE	QM481941
PACKAGING	Full colour box
DIMENSIONS (HxWxD)	54x107.50x130mm
PRICE	£21.60

WALL MOUNTED/  
SEMI PERMANENT  
ACCESSORIES

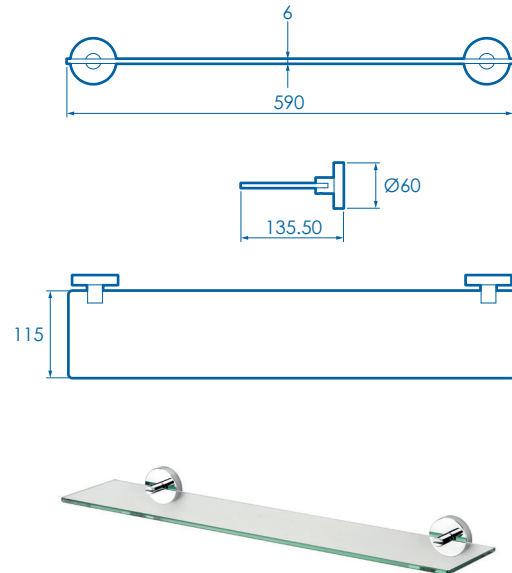
# Epsom Wall Mounted Accessories

## TOWEL RAIL



PRODUCT CODE	QM482741
PACKAGING	Full colour box
DIMENSIONS (HxWxD)	54x680x77.50mm
PRICE	£30.98

## GLASS SHELF



PRODUCT CODE	QM481441
PACKAGING	Full colour box
DIMENSIONS (HxWxD)	60x590x135.50mm
PRICE	£30.98



# Britannia Wall Mounted Accessories

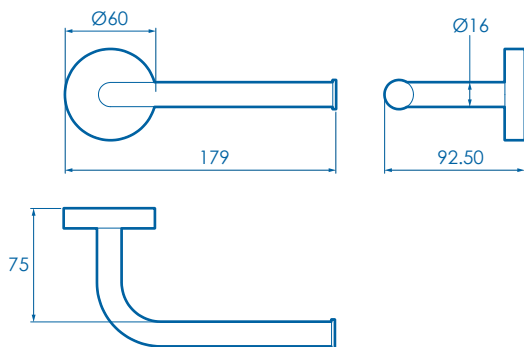
The Britannia range of accessories are modern and robust in design and use the Flexi-Fix innovation to provide three ways to fix to your wall.

## FEATURES

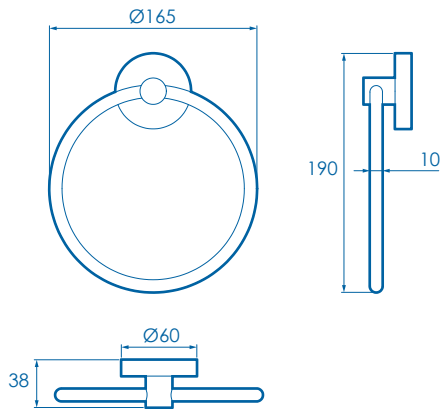
- Three ways to fix (see page 103), you choose how – Re-Fix, Screw Fix or Glue Fix.
- Suitable to fit into any bathroom.
- All fixings are included to make these products easy to fit.
- Co-ordinating storage baskets available (see page 104).
- Made from durable zinc alloy construction with high quality chrome plated finish.



## TOILET ROLL HOLDER



## TOWEL RING

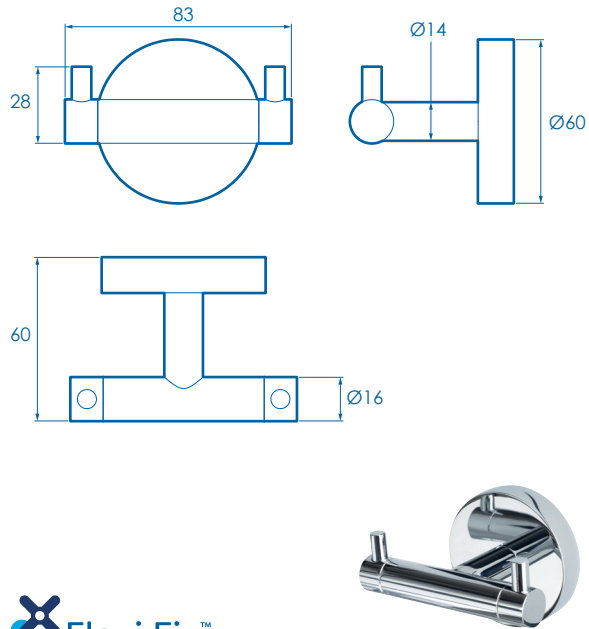


PRODUCT CODE	QM581141
PACKAGING	Full colour box
DIMENSIONS (HxWxD)	60x179x92.50mm
PRICE	£22.53

PRODUCT CODE	QM581541
PACKAGING	Full colour box
DIMENSIONS (HxWxD)	190x165x38mm
PRICE	£25.35

# Britannia Wall Mounted Accessories

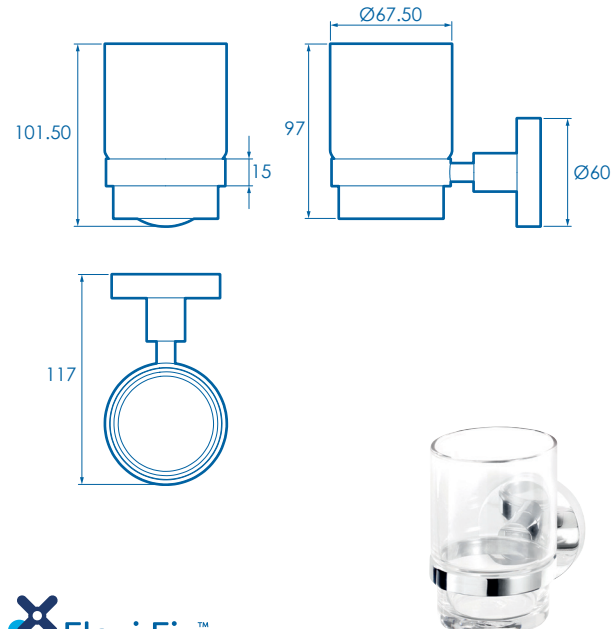
## DOUBLE ROBE HOOK



 Flexi Fix™

PRODUCT CODE	QM589141
PACKAGING	Full colour box
DIMENSIONS (HxWxD)	60x83x60mm
PRICE	£15.96

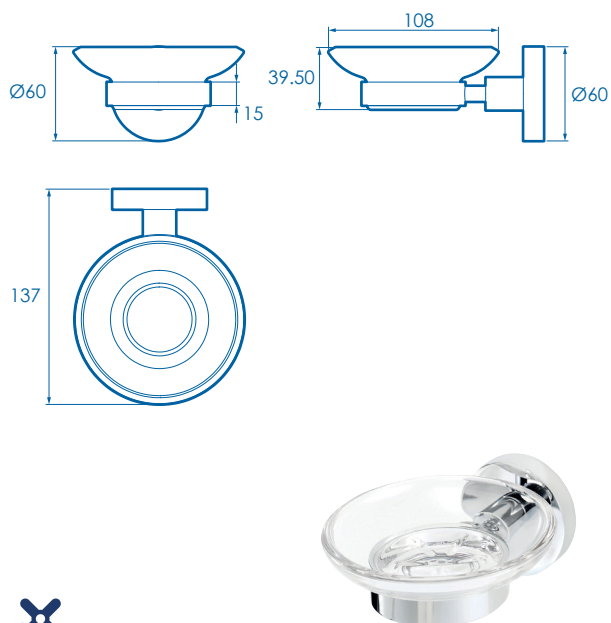
## TUMBLER AND HOLDER



 Flexi Fix™

PRODUCT CODE	QM581841
PACKAGING	Full colour box
DIMENSIONS (HxWxD)	101.50x67.50x117mm
PRICE	£28.17

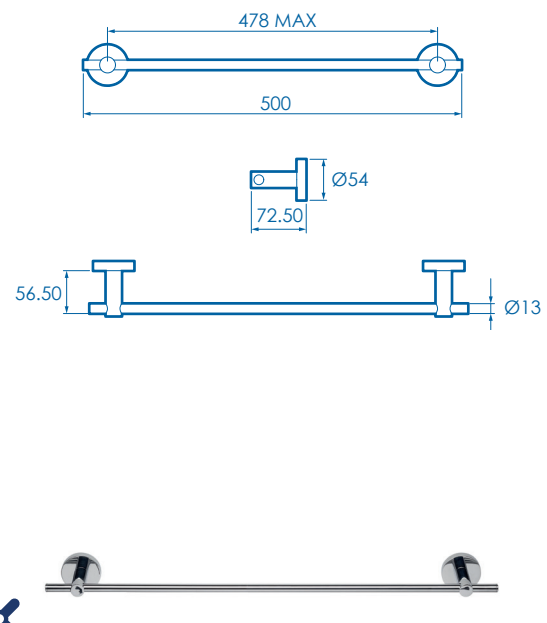
## SOAP DISH AND HOLDER



 Flexi Fix™

PRODUCT CODE	QM581941
PACKAGING	Full colour box
DIMENSIONS (HxWxD)	60x108x137mm
PRICE	£28.17

## TOWEL RAIL

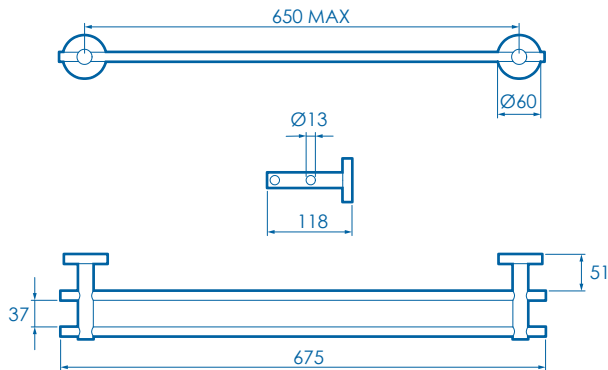


 Flexi Fix™

PRODUCT CODE	QM581341
PACKAGING	Full colour box
DIMENSIONS (HxWxD)	54x500x72.50mm
PRICE	£46.96

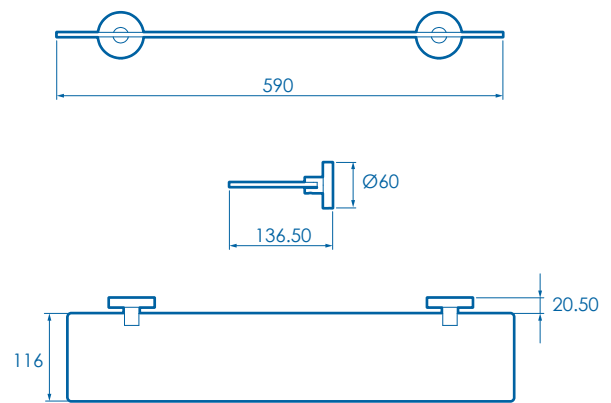
# Britannia Wall Mounted Accessories

## DOUBLE TOWEL RAIL



PRODUCT CODE	QM582941
PACKAGING	Full colour box
DIMENSIONS (HxWxD)	60x675x118mm
PRICE	£65.74

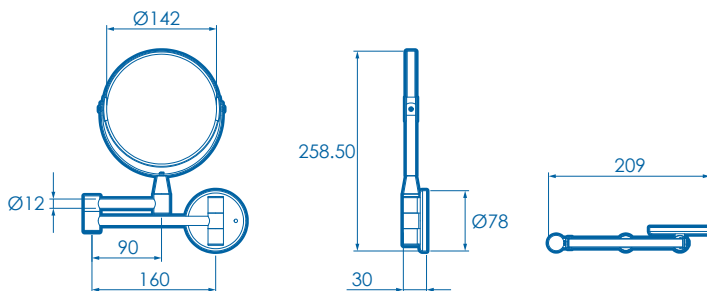
## GLASS SHELF



PRODUCT CODE	QM581441
PACKAGING	Full colour box
DIMENSIONS (HxWxD)	60x590x136.50mm
PRICE	£42.26

## SMALL ROUND MAGNIFYING MIRROR

- Durable brass and stainless steel construction, with a high quality chrome plated finish and glass
- 2 x Magnification mirror
- Adjustable arm and mirror tilt function allows greater flexibility
- 142mm Diameter
- This item does not include the Flexi-Fix fitting
- All fixings are included to make this product easy to fit

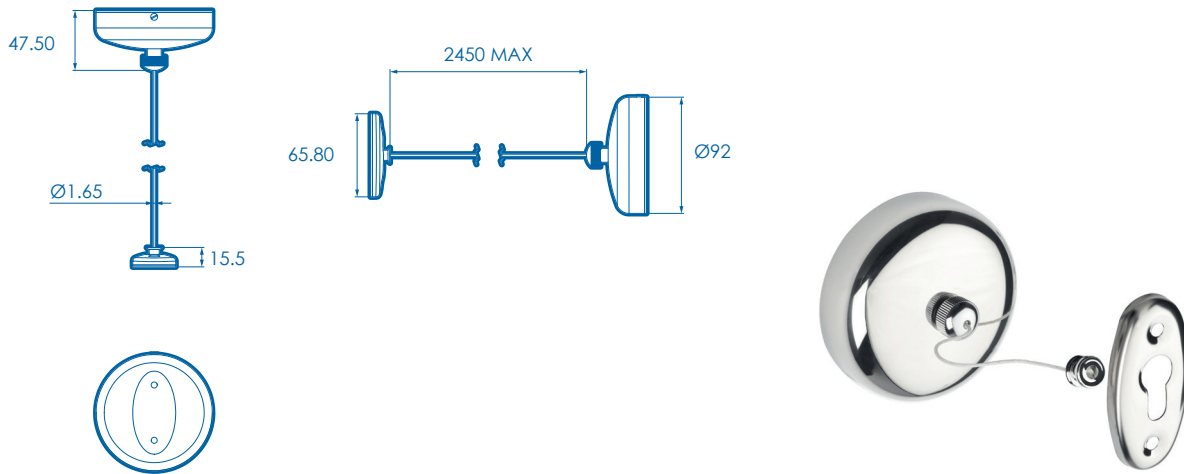


PRODUCT CODE	PACKAGING	DIMENSIONS (HxWxD)	PRICE
QA103041	Full colour box	258.50x142x30mm	£15.96

# Britannia Wall Mounted Accessories

## RETRACTABLE CLOTHES LINE

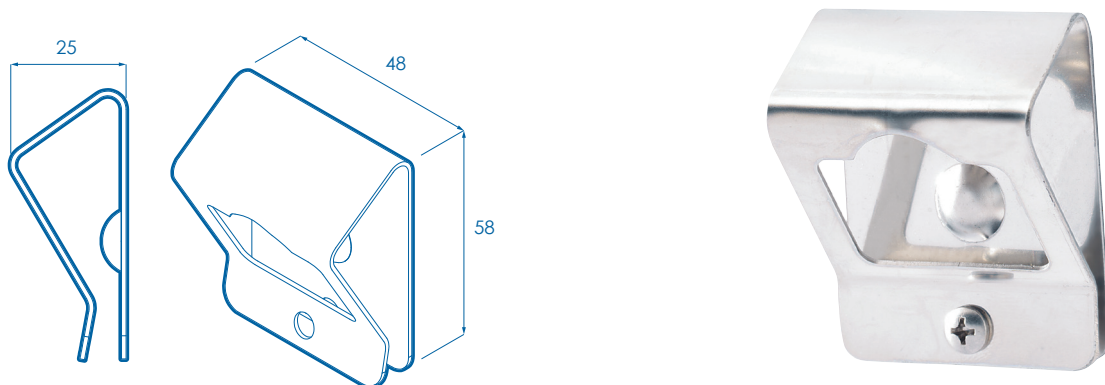
- Stainless steel construction
- 2450mm Cord length
- This item does not include the Flexi-Fix fitting
- All fixings included



PRODUCT CODE	PACKAGING	DIMENSIONS (LxW)	PRICE
QA108641	Full colour box	92x92x47.50mm	£15.96

## WALL MOUNTED BOTTLE OPENER

- Stainless Steel construction
- Handy tool to open your bottles with
- This item does not include the Flexi-Fix fitting
- All fixings are included to make this product easy to fit.



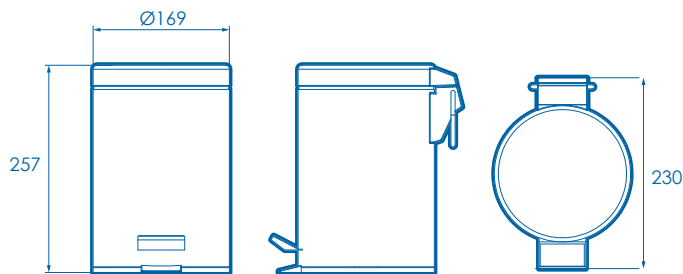
PRODUCT CODE	PACKAGING	DIMENSIONS (HxWxD)	PRICE
QM588541	Full colour box	58x48x25mm	£6.57



# Britannia Wall Mounted Accessories

## THREE LITRE PEDAL BIN

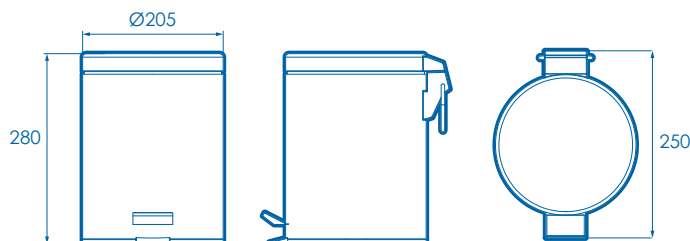
- Stainless steel construction with high quality polished finish
- A discreet way to store your rubbish in your bathroom
- 3 Litre inner waste holder
- Free standing for flexible position
- Foot pedal action means rubbish can be disposed of without having to manually lift the lid



PRODUCT CODE	FINISH	PACKAGING	DIMENSIONS (HxWxD)	PRICE
QA107205	Stainless Steel/Chrome	White box with black and white label	257x169x230mm	£14.55

## FIVE LITRE PEDAL BIN

- Stainless steel construction with high quality polished finish
- A discreet way to store your rubbish in your bathroom
- 5 Litre inner waste holder.
- Free standing for flexible position.
- Foot pedal action means rubbish can be disposed of without having to manually lift the lid.

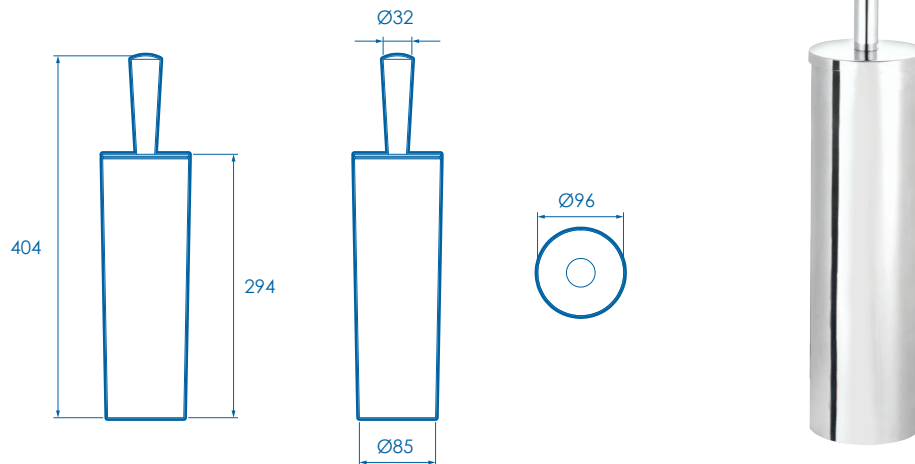


PRODUCT CODE	FINISH	PACKAGING	DIMENSIONS (HxWxD)	PRICE
QA107305	Stainless Steel/Chrome	White box with black and white label	280x205x250mm	£18.78

# Britannia Wall Mounted Accessories

## TOILET BRUSH

- Stainless steel construction with high quality polished finish
- Practical yet stylish
- The toilet brush is kept hidden within the holder
- Free standing for flexible position



PRODUCT CODE	FINISH	PACKAGING	DIMENSIONS (HxWxD)	PRICE
QM102005	Stainless Steel	White box with black and white label	404x96x85mm	£25.34



# Sutton Wall Mounted Accessories

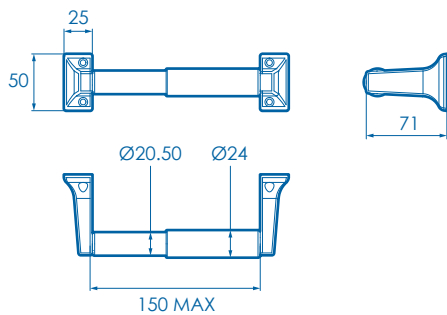
These practical accessories provide a great choice of products to finish your bathroom.

## FEATURES

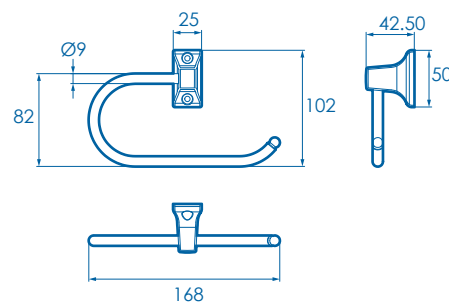
- A range of co-ordinating products to choose from to complete your bathroom.
- All fixings are included.
- Exposed fixings make these products easy to fix to the wall.
- Made from durable chrome plated zinc alloy construction with high quality chrome plated finish.



## SPINDLE TOILET ROLL HOLDER



## TOILET ROLL HOLDER

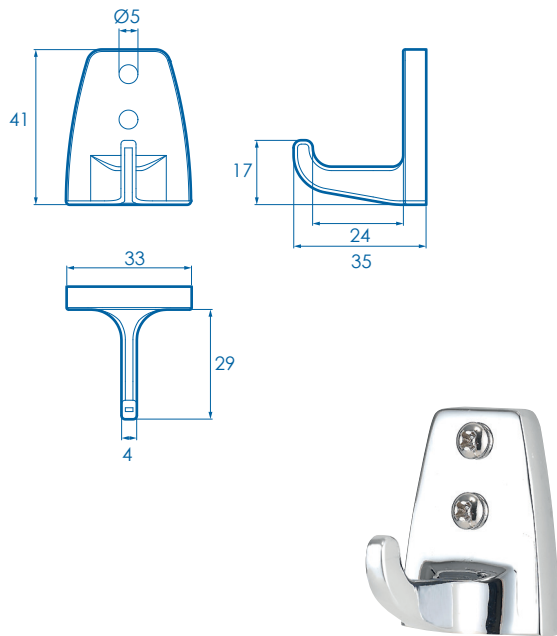


- Chrome plated mild steel arm

PRODUCT CODE	QM731141	PRODUCT CODE	QM731241
PACKAGING	Blister pack with euro slot	PACKAGING	Blister pack with euro slot
DIMENSIONS (HxWxD)	50x150x71mm	DIMENSIONS (HxWxD)	102x168x42.50mm
PRICE	£7.02	PRICE	£9.38

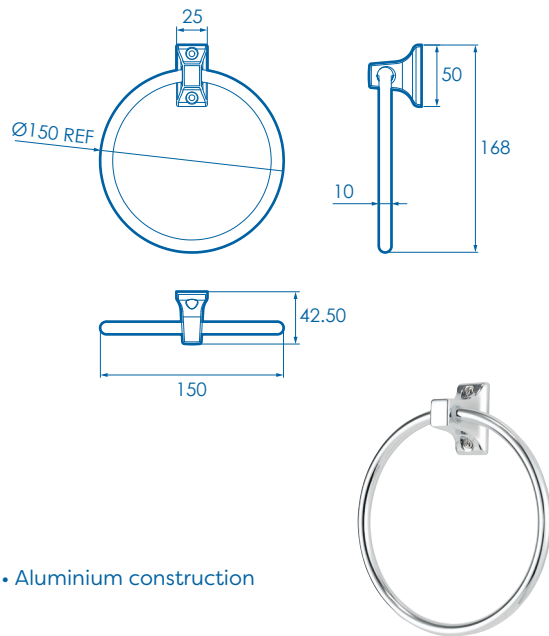
# Sutton Wall Mounted Accessories

## ROBE HOOK



PRODUCT CODE	QM731741
PACKAGING	Blister pack with euro slot
DIMENSIONS (HxWxD)	41x33x35mm
PRICE	£3.74

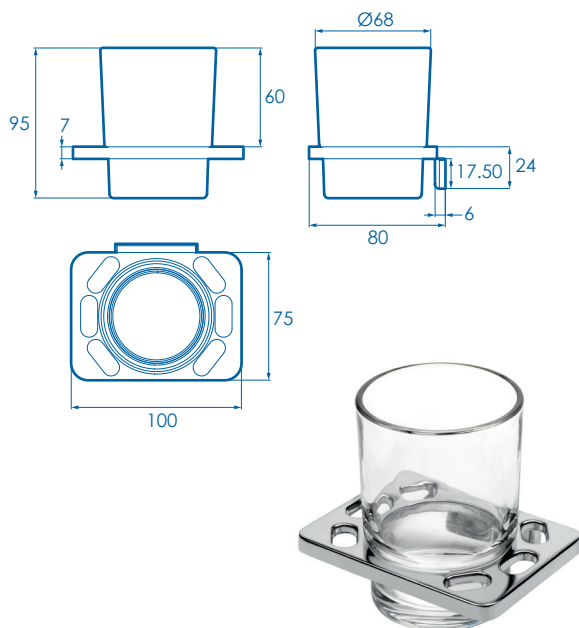
## TOWEL RING



• Aluminium construction

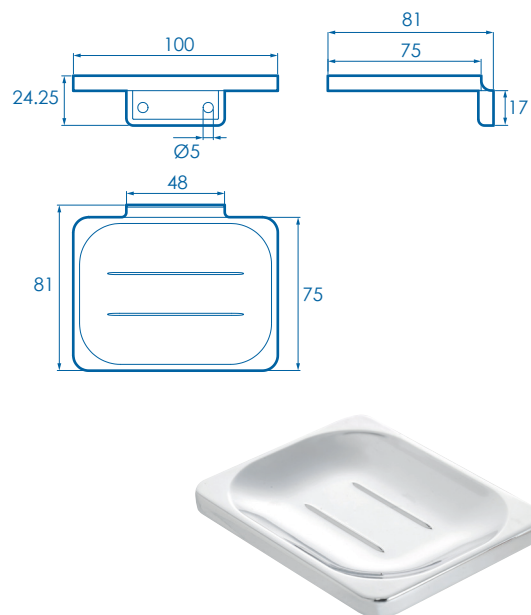
PRODUCT CODE	QM731541
PACKAGING	Blister pack with euro slot
DIMENSIONS (HxWxD)	168x150x42.50mm
PRICE	£7.97

## TUMBLER AND HOLDER



PRODUCT CODE	QM731841
PACKAGING	Blister pack with euro slot
DIMENSIONS (HxWxD)	95x100x80mm
PRICE	£9.38

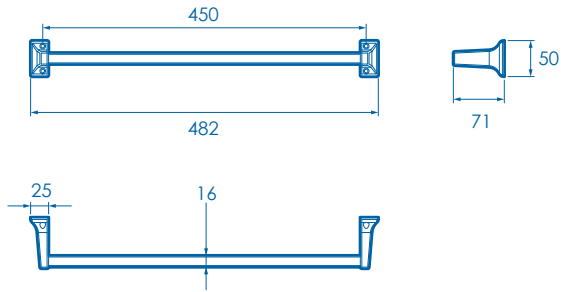
## SOAP DISH



PRODUCT CODE	QM731941
PACKAGING	Blister pack with euro slot
DIMENSIONS (HxWxD)	24.25x100x81mm
PRICE	£7.50

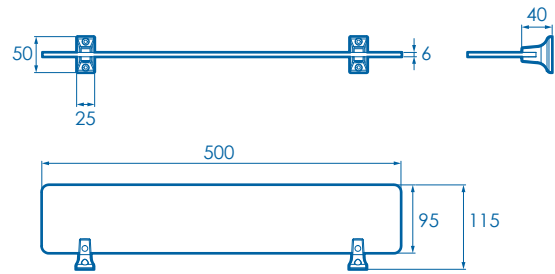
# Sutton Wall Mounted Accessories

## TOWEL RAIL



- Aluminium construction

## GLASS SHELF



- Contains toughened glass

PRODUCT CODE	QM732641	PRODUCT CODE	QM731441
PACKAGING	Blister pack with euro slot	PACKAGING	Blister pack with euro slot
DIMENSIONS (HxWxD)	50x482x71mm	DIMENSIONS (HxWxD)	50x500x115mm
PRICE	£11.25	PRICE	£20.18



WALL MOUNTED/  
SEMI PERMANENT  
ACCESSORIES

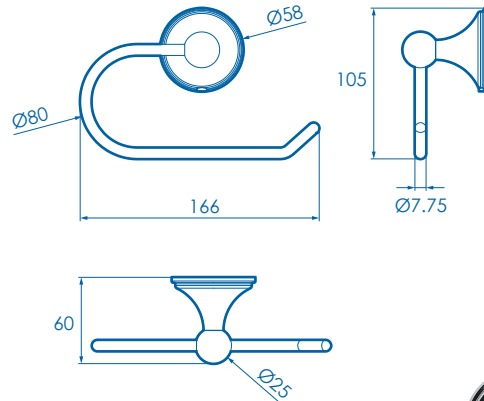
# Westminster Wall Mounted Accessories

These classic accessories provide a traditional finish to your bathroom.

## FEATURES

- A range of co-ordinating products to choose from to complete your bathroom.
- All fixings are included to make these products easy to fit.
- Concealed fixings.
- Made from durable chrome plated zinc alloy construction with high quality chrome plated finish.

## TOILET ROLL HOLDER

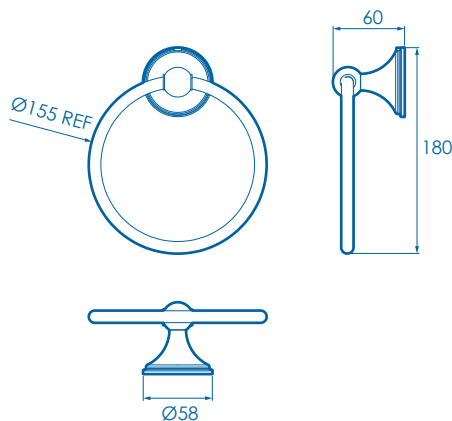


- Chrome plated mild steel



PRODUCT CODE	QM201141
PACKAGING	Blister pack with euro slot
DIMENSIONS (HxWxD)	105x165x60mm
PRICE	£12.66

## TOWEL RING

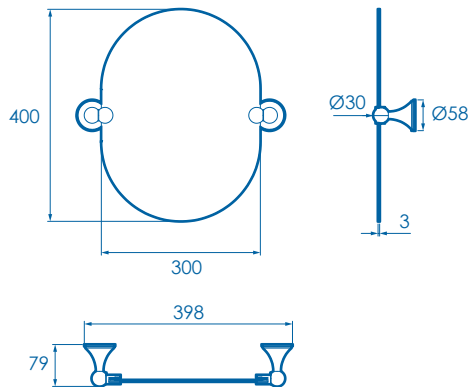


- Aluminium construction



PRODUCT CODE	QM201541
PACKAGING	Blister pack with euro slot
DIMENSIONS (HxWxD)	180x155x60mm
PRICE	£12.66

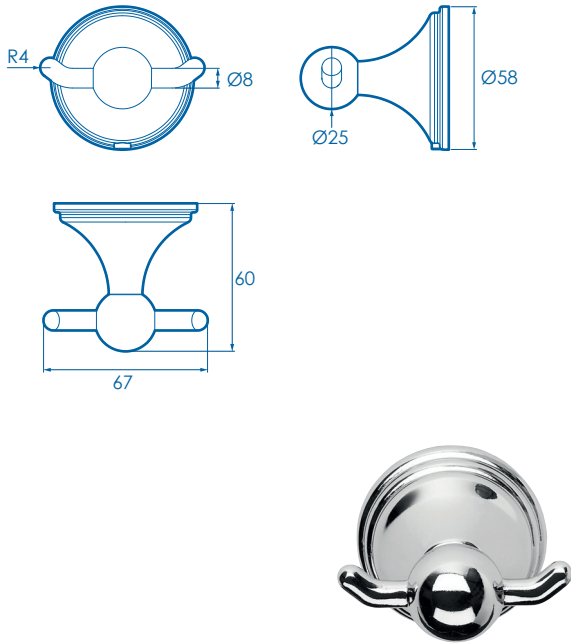
## MIRROR



PRODUCT CODE	QM201041BOX
PACKAGING	Blister pack with euro slot
DIMENSIONS (HxWxD)	400x300x79mm
PRICE	£38.02

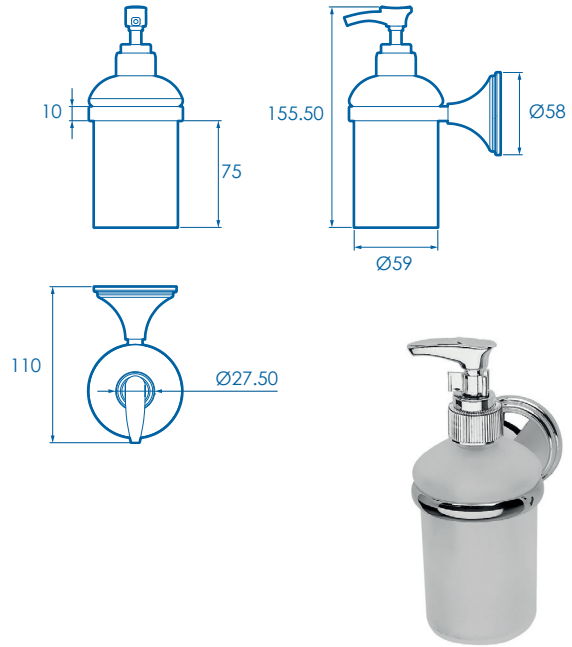
# Westminster Wall Mounted Accessories

## DOUBLE ROBE HOOK



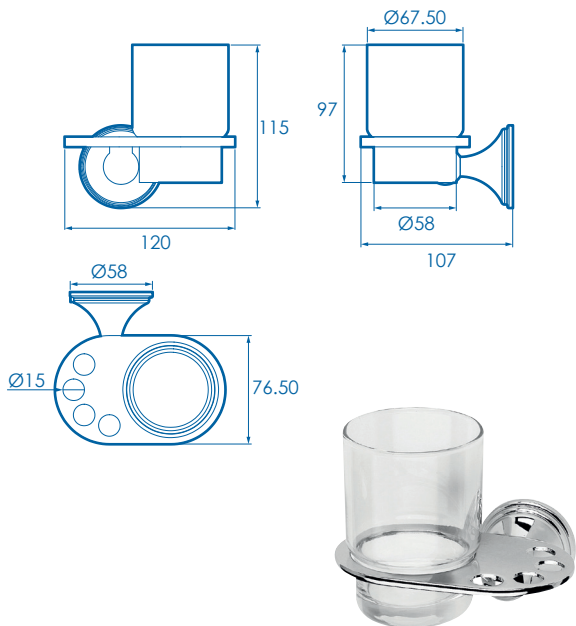
PRODUCT CODE	QM201741
PACKAGING	Blister pack with euro slot
DIMENSIONS (HxWxD)	58x67x60mm
PRICE	£6.56

## SOAP DISPENSER



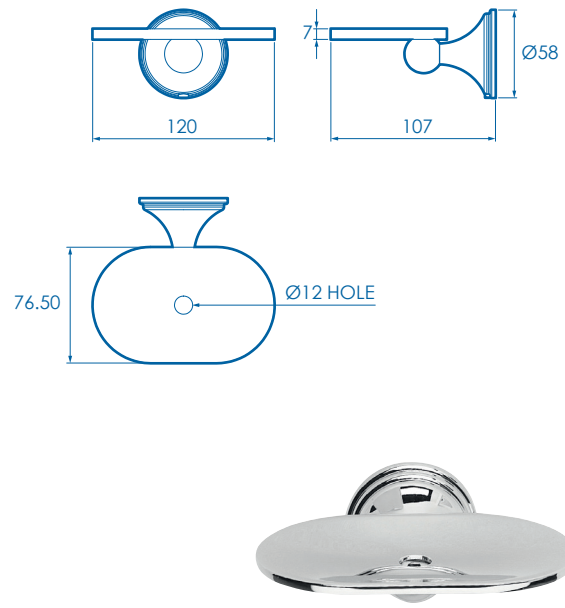
PRODUCT CODE	QM206641
PACKAGING	Blister pack with euro slot
DIMENSIONS (HxWxD)	155.50x59x110mm
PRICE	£18.29

## TUMBLER AND HOLDER



PRODUCT CODE	QM201841
PACKAGING	Blister pack with euro slot
DIMENSIONS (HxWxD)	115x120x107mm
PRICE	£15.01

## SOAP DISH

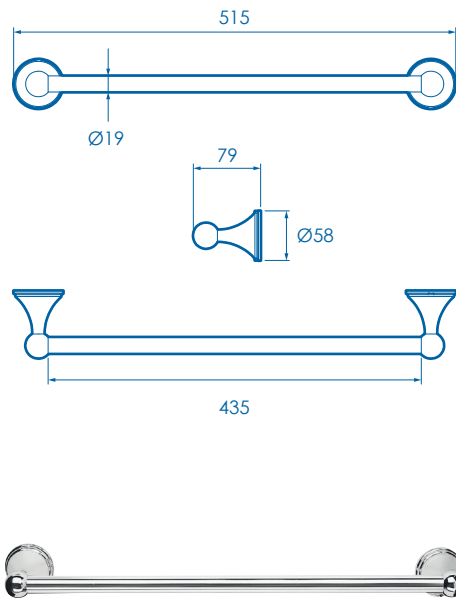


PRODUCT CODE	QM201941
PACKAGING	Blister pack with euro slot
DIMENSIONS (HxWxD)	58x120x107mm
PRICE	£12.66

WALL MOUNTED/  
SEMI PERMANENT  
ACCESSORIES

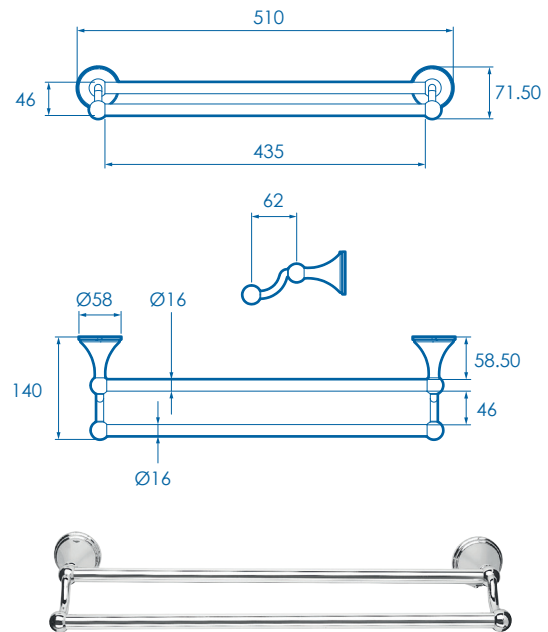
# Westminster Wall Mounted Accessories

## TOWEL RAIL



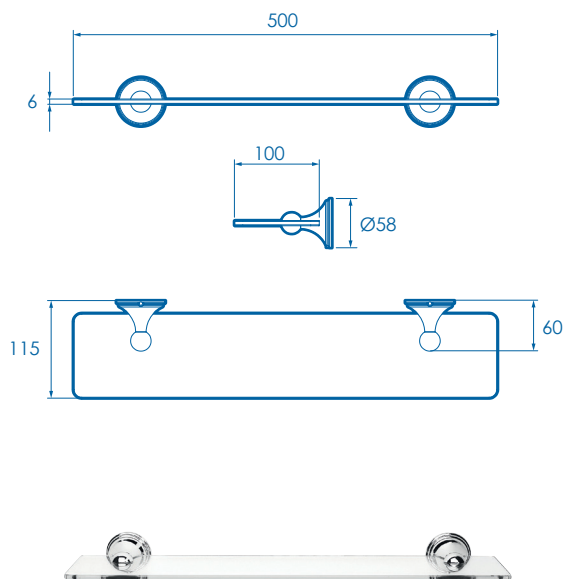
PRODUCT CODE	QM202641
PACKAGING	Blister pack with euro slot
DIMENSIONS (HxWxD)	58x515x79mm £19.24

## DOUBLE TOWEL RAIL



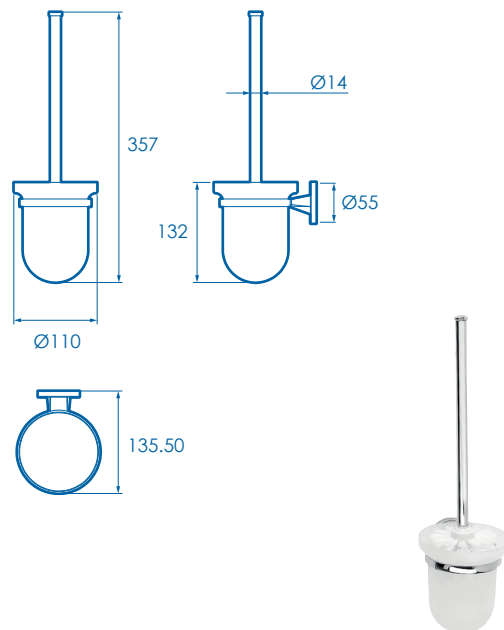
PRODUCT CODE	QM202841
PACKAGING	Blister pack with euro slot
DIMENSIONS (HxWxD)	71.50x510x140mm £29.10

## GLASS SHELF



PRODUCT CODE	QM201441
PACKAGING	Blister pack with euro slot
DIMENSIONS (HxWxD)	58x500x100mm £28.63

## TOILET BRUSH



PRODUCT CODE	QM202441
PACKAGING	Blister pack with euro slot
DIMENSIONS (HxWxD)	357x110x135.50mm £28.63

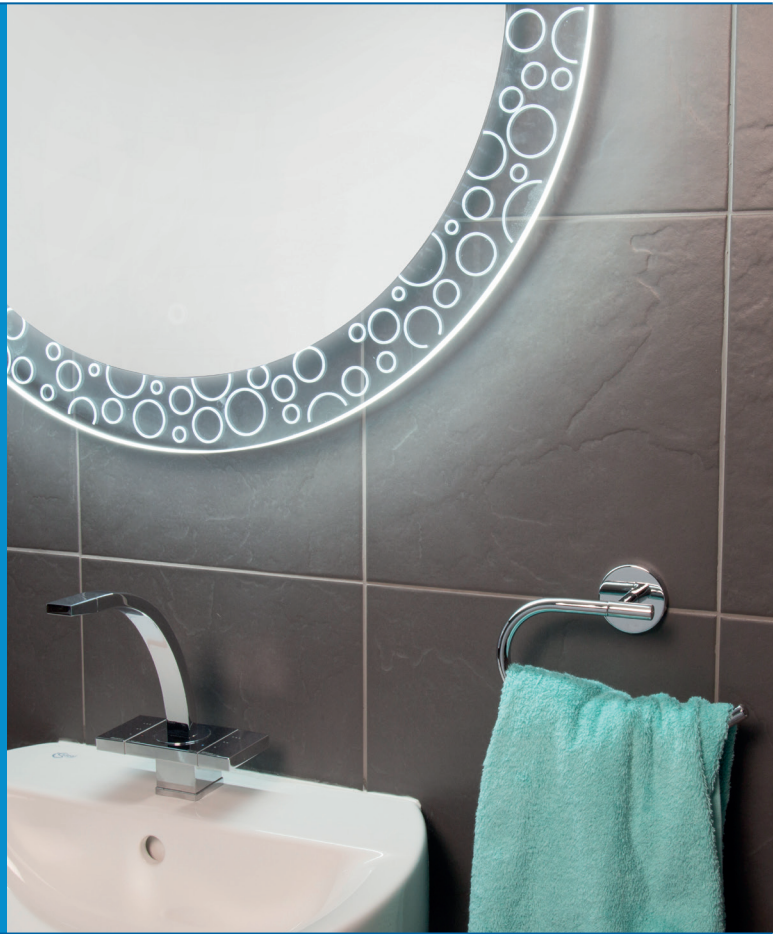


# Hampstead Wall Mounted Accessories

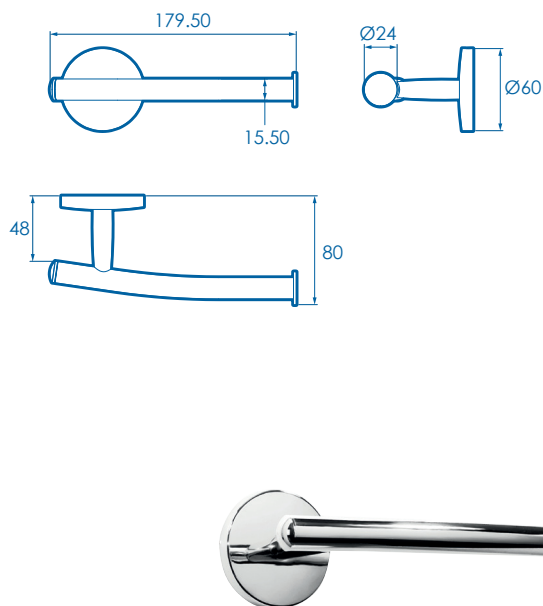
These traditional styled accessories provide the perfect finish to your bathroom.

## FEATURES

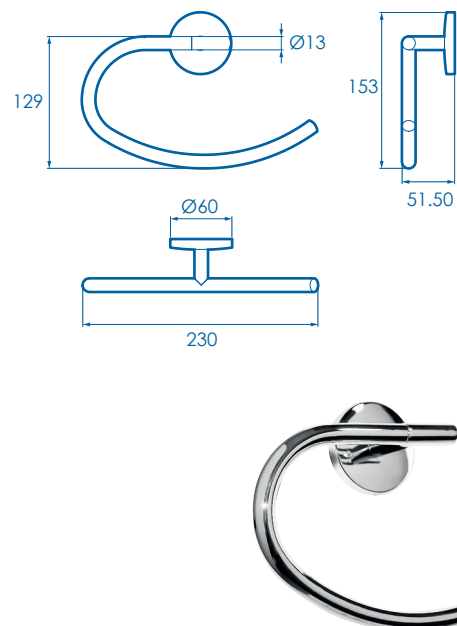
- A range of co-ordinating products to choose from to complete your bathroom.
- All fixings are included to make these products easy to fit.
- Concealed fixings.
- Made from durable chrome plated zinc alloy construction with high quality chrome plated finish.



## TOILET ROLL HOLDER



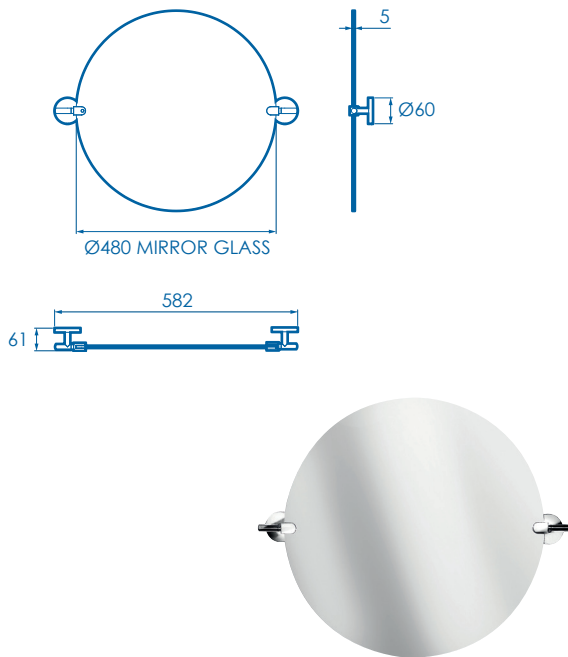
## TOWEL RING



PRODUCT CODE	QM641141	PRODUCT CODE	QM641541
PACKAGING	Blister pack with euro slot	PACKAGING	Blister pack with euro slot
DIMENSIONS (HxWxD)	60x179.50x80mm	DIMENSIONS (HxWxD)	153x230x51.50mm
PRICE	£14.54	PRICE	£17.36

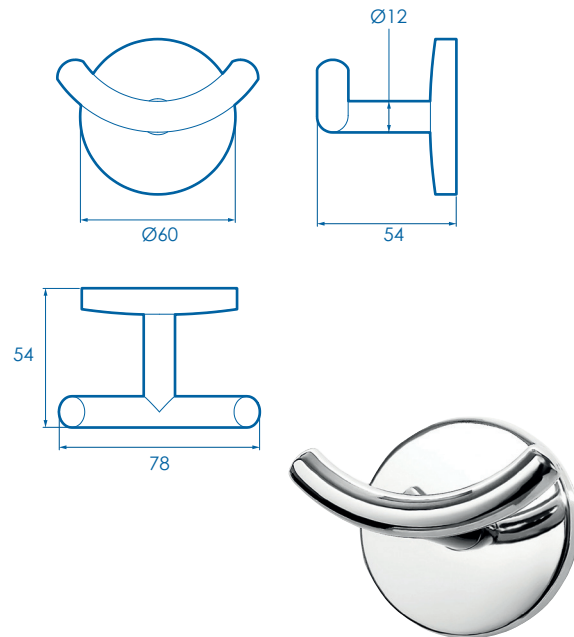
# Hampstead Wall Mounted Accessories

## MIRROR



PRODUCT CODE	QM641041
PACKAGING	Blister pack with euro slot
DIMENSIONS (HxWxD)	480x582x61mm
PRICE	£46.94

## DOUBLE ROBE HOOK



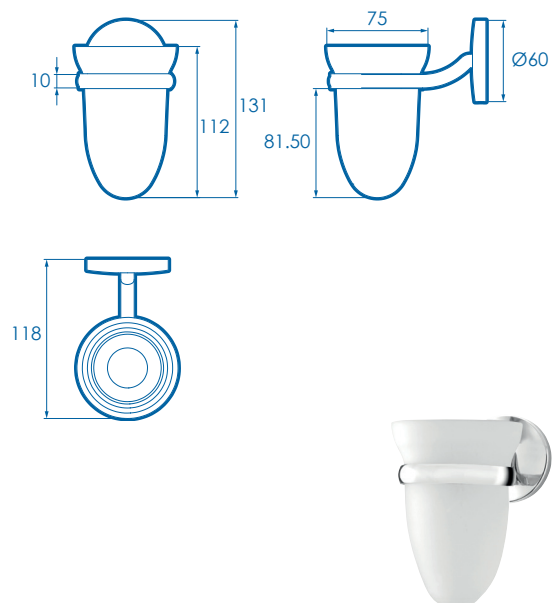
PRODUCT CODE	QM641741
PACKAGING	Blister pack with euro slot
DIMENSIONS (HxWxD)	60x78x54mm
PRICE	£7.02

## SOAP DISPENSER



PRODUCT CODE	QM646641
PACKAGING	Blister pack with euro slot
DIMENSIONS (HxWxD)	167x73x118.50mm
PRICE	£19.24

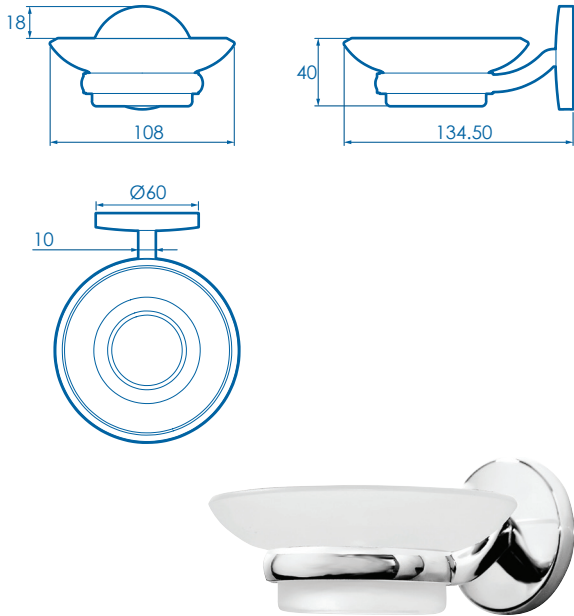
## TUMBLER AND HOLDER



PRODUCT CODE	QM641841
PACKAGING	Blister pack with euro slot
DIMENSIONS (HxWxD)	131x75x118mm
PRICE	£15.48

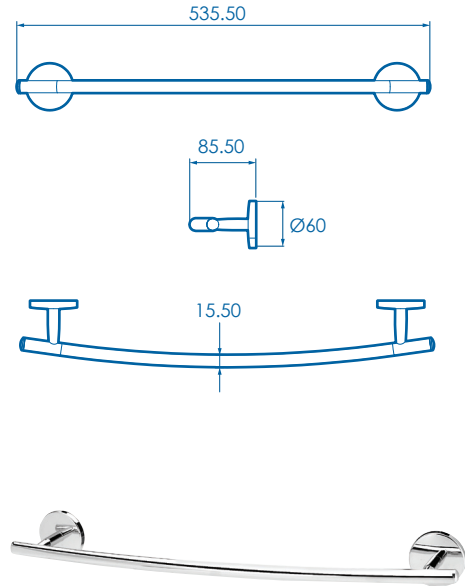
# Hampstead Wall Mounted Accessories

## SOAP DISH



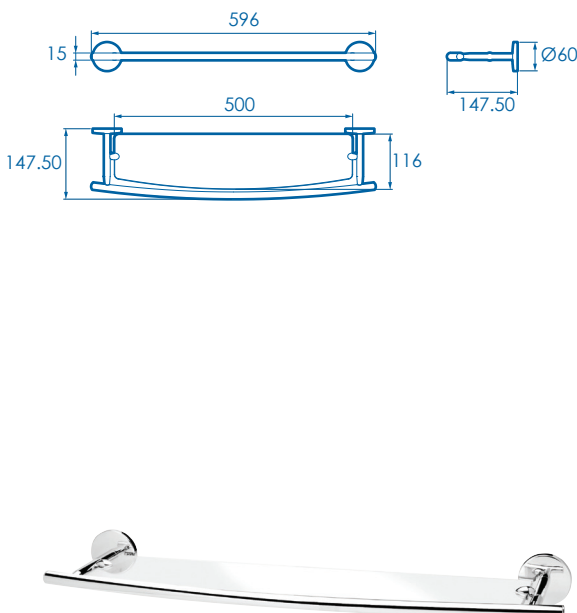
PRODUCT CODE	QM641941
PACKAGING	Blister pack with euro slot
DIMENSIONS (HxWxD)	60x108x134.50mm
PRICE	£14.54

## TOWEL RAIL



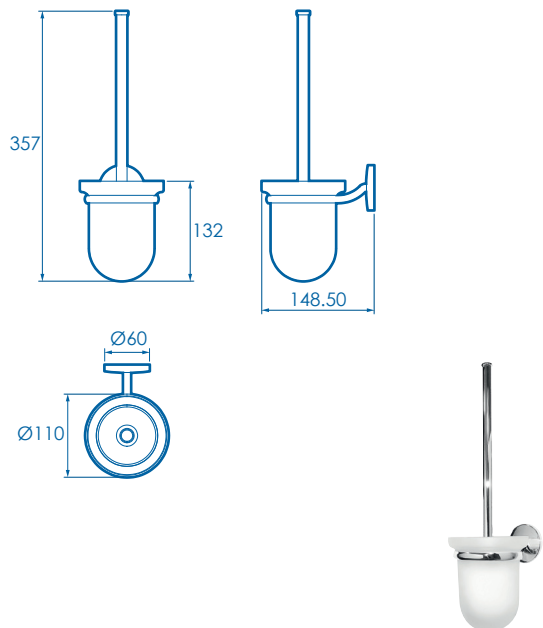
PRODUCT CODE	QM642641
PACKAGING	Blister pack with euro slot
DIMENSIONS (HxWxD)	60x535.50x50mm
PRICE	£28.16

## GLASS SHELF



PRODUCT CODE	QM641441
PACKAGING	Blister pack with euro slot
DIMENSIONS (HxWxD)	60x596x147.50mm
PRICE	£37.56

## TOILET BRUSH



PRODUCT CODE	QM642441
PACKAGING	Blister pack with euro slot
DIMENSIONS (HxWxD)	357x148.50x110mm
PRICE	£28.63

WALL MOUNTED/  
SEMI PERMANENT  
ACCESSORIES

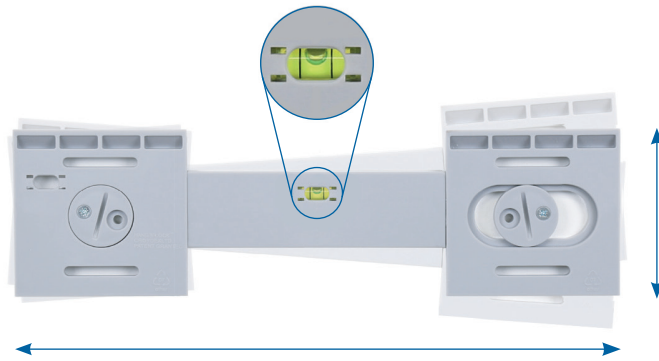


# Cabinets and Storage

Storage is an integral part of any bathroom and the Croydex range of furniture and cabinets certainly make a smart addition to any home. With a wide variety on offer, you are sure to find a storage solution to help your bathroom stand out from the crowd.



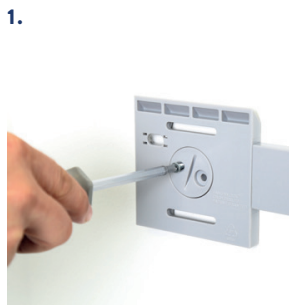
# Hang'n'Lock™ – Cabinets



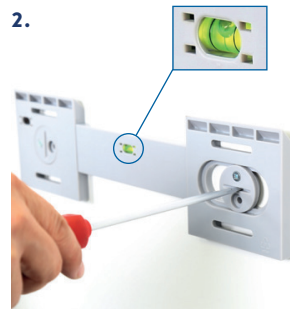
**EASY INSTALLATION BRACKET • FULLY ADJUSTABLE • SINGLE PERSON INSTALL**

The patented Hang'n'Lock easy installation bracket from Croydex is a simple and safe solution for hanging your cabinet or mirror.

Hang'n'Lock provides the flexibility to change the level of your cabinet or mirror after having drilled your holes.



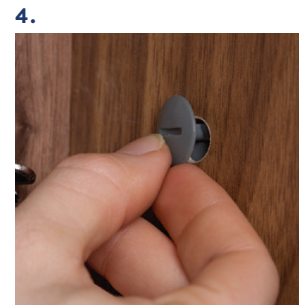
Attach the bracket to the wall



Adjust the level



Hang your mirror or cabinet



Lock securely in place

\* Different locking systems apply to mirrors & cabinets

CABINETS AND STORAGE



Scan the QR code to view our Hang'n'Lock demonstration video or visit [www.croydex.com](http://www.croydex.com)

# Aluminium Cabinets

These classic accessories provide a traditional finish to your bathroom.

## FEATURES

- Double sided mirrored doors with a bevelled edge on the front mirror glass
- Wide opening hinges increase accessibility
- Adjustable toughened clear glass shelves
- Concealed shelf supports
- Left or right hand door opening
- Can be surface or recessed\* mounted
- Decorative mirrored glass side panels for surface mounting included
- Hang 'n' Lock installation system for surface mounted configuration
- Optional pin handles included
- Supplied fully assembled\*\*
- Easy to install, fixings included

*\*100mm depth is required for recessed installation*

*\*\* if a surface mounted configuration is selected, mirrored side panels must be fitted to the cabinet. These are not required if a recessed configuration is selected*

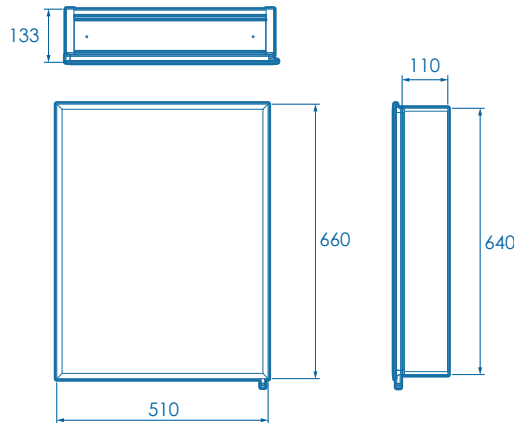
 **Hang'n'Lock™**  
ALWAYS LEVEL



# Aluminium Cabinets

## LANGLEY SINGLE DOOR CABINET

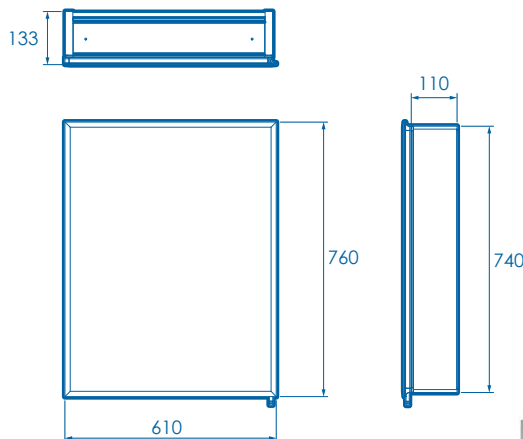
- Bright anodised aluminium cabinet with bevelled edge mirrored door
- Two adjustable shelves
- 165 Degree sprung hinges for increased accessibility
- Recessed or surface mounted configuration
- Easy to install Hang'n'Lock system for single person installation



PRODUCT CODE	MATERIAL	PACKAGING	DIMENSIONS (HxWxD)	PRICE
WC101369	Aluminium	White box with colour label	660x510x133mm	£187.83

## HAVEN SINGLE DOOR CABINET

- Bright anodised aluminium cabinet with bevelled edge mirrored door
- Two adjustable shelves
- 165 Degree sprung hinges for increased accessibility
- Recessed or surface mounted configuration
- Easy to install Hang'n'Lock system for single person installation



PRODUCT CODE	MATERIAL	PACKAGING	DIMENSIONS (HxWxD)	PRICE
WC101469	Aluminium	White box with colour label	760x610x133mm	£234.80

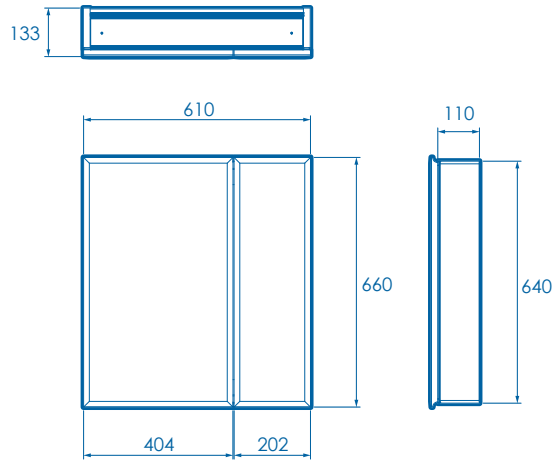
CABINETS AND STORAGE



# Aluminium Cabinets

## NEWTON DOUBLE DOOR BI-VIEW CABINET

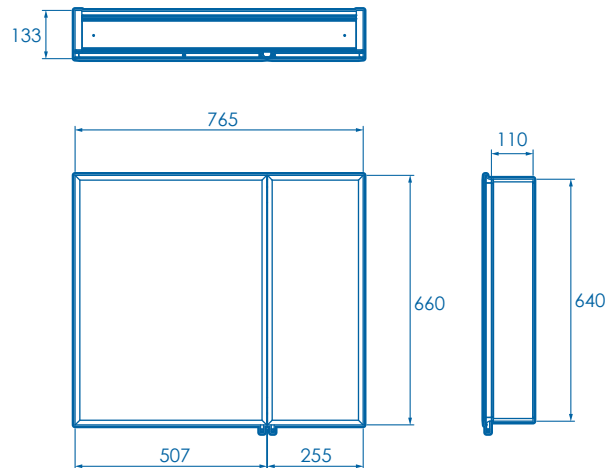
- Bright anodised aluminium cabinet with bevelled edge mirrored doors
- Five adjustable glass shelves
- 165 Degree sprung hinges for increased accessibility
- Recessed or surface mounted configuration
- Easy to install Hang'n'Lock system for single person installation



PRODUCT CODE	MATERIAL	PACKAGING	DIMENSIONS (HxWxD)	PRICE
WC102069	Aluminium	White box with colour label	660x610x133mm	£234.80

## HALTON DOUBLE DOOR BI-VIEW CABINET

- Bright anodised aluminium cabinet with bevelled edge mirrored doors
- Five adjustable glass shelves
- 165 Degree sprung hinges for increased accessibility
- Recessed or surface mounted configuration
- Easy to install Hang'n'Lock system for single person installation

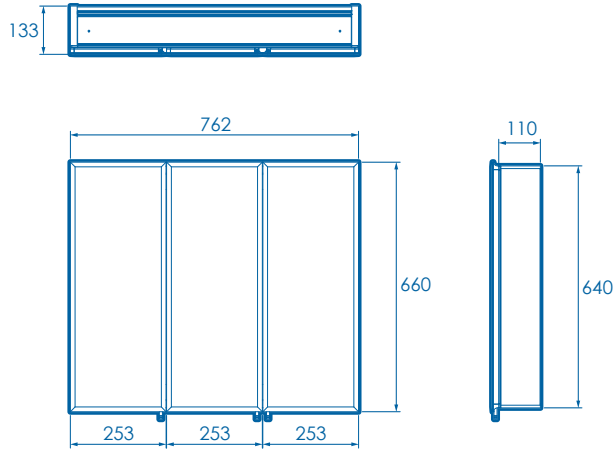


PRODUCT CODE	MATERIAL	PACKAGING	DIMENSIONS (HxWxD)	PRICE
WC101669	Aluminium	White box with colour label	660x765x133mm	£253.38

# Aluminium Cabinets

## LOXLEY TRIPLE DOOR TRI-VIEW CABINET

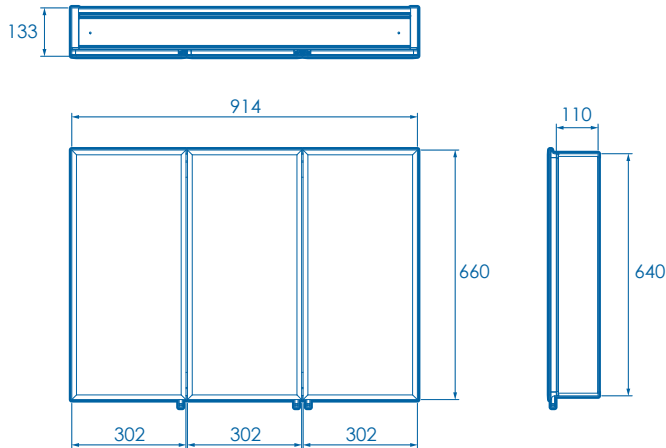
- Bright anodised aluminium cabinet with bevelled edge mirrored doors
- Nine adjustable glass shelves
- 165 Degree sprung hinges for increased accessibility
- Recessed or surface mounted configuration
- Easy to install Hang'n'Lock system for single person installation



PRODUCT CODE	MATERIAL	PACKAGING	DIMENSIONS (HxWxD)	PRICE
WC101869	Aluminium	White box with colour label	660x762x133mm	£300.55

## KENNET TRIPLE DOOR TRI-VIEW CABINET

- Bright anodised aluminium cabinet with bevelled edge mirrored doors
- Nine adjustable glass shelves
- 165 Degree sprung hinges for increased accessibility
- Recessed or surface mounted configuration
- Easy to install Hang'n'Lock system for single person installation



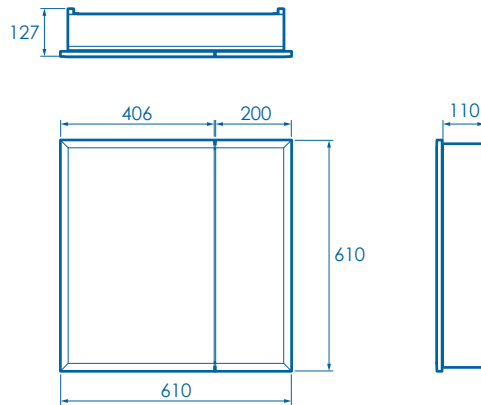
PRODUCT CODE	MATERIAL	PACKAGING	DIMENSIONS (HxWxD)	PRICE
WC101969	Aluminium	White box with colour label	660x914x133mm	£347.51

CABINETS AND STORAGE

# White Steel Cabinets

## WELLINGTON DOUBLE DOOR BI-VIEW CABINET

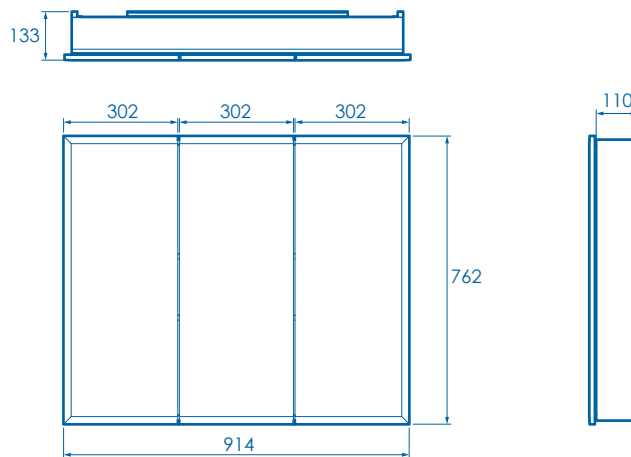
- White steel cabinet with mirrored doors
- Two adjustable shelves
- 110 Degree sprung hinges
- Optional pin handles included
- Easy to install Hang'n'Lock system for single person installation



PRODUCT CODE	MATERIAL	PACKAGING	DIMENSIONS (HxWxD)	PRICE
WC102122	White steel	White box with colour label	610x610x127mm	£178.44

## WESTBOURNE TRIPLE DOOR TRI-VIEW CABINET

- White steel cabinet with mirrored doors
- Two adjustable shelves
- 110 Degree sprung hinges
- Optional pin handles included
- Easy to install Hang'n'Lock system for single person installation

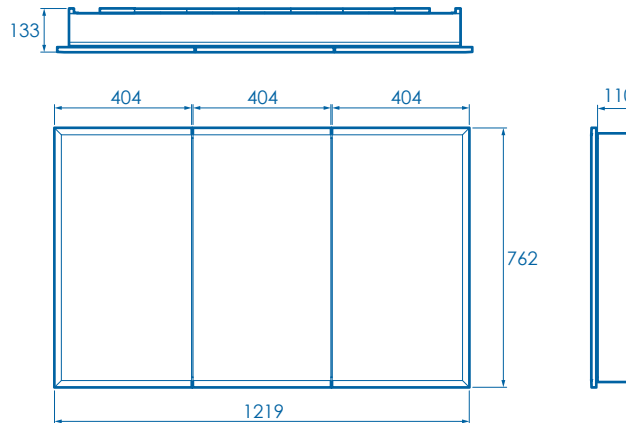


PRODUCT CODE	MATERIAL	PACKAGING	DIMENSIONS (HxWxD)	PRICE
WC102322	White steel	White box with colour label	762x914x133mm	£281.76

# White Steel/Wooden Cabinets

## BURWELL TRIPLE DOOR TRI-VIEW CABINET

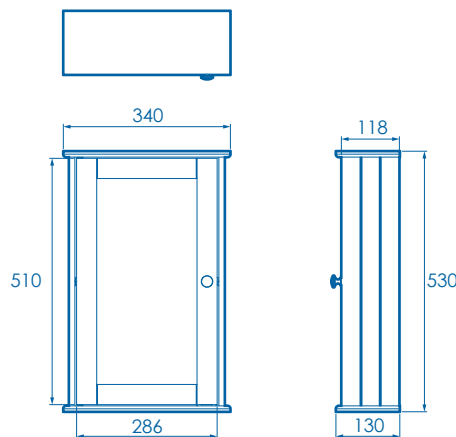
- White steel cabinet with mirrored doors
- Two adjustable shelves
- 110 Degree sprung hinges
- Optional pin handles included
- Easy to install Hang'n'Lock system for single person installation



PRODUCT CODE	MATERIAL	PACKAGING	DIMENSIONS (HxWxD)	PRICE
WC102622	White steel	White box with colour label	762x1219x133mm	£356.90

## BLANCO SINGLE DOOR MIRROR WOODEN CABINET

- White wooden single mirror door cabinet
- One adjustable shelf
- One fixed open shelf
- Easy to install Hang'n'Lock system
- Simple self-assembly format, all fixtures and fittings included
- Easy to install Hang'n'Lock system for single person installation

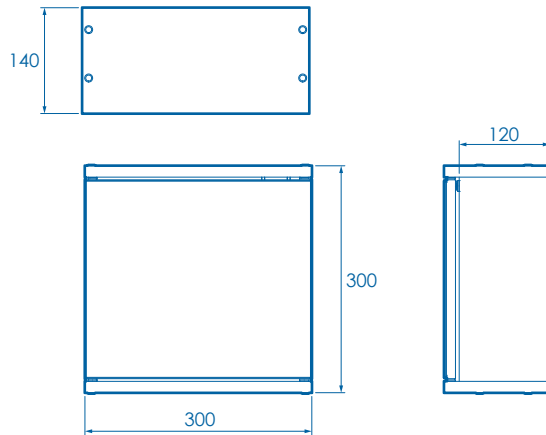


PRODUCT CODE	MATERIAL	PACKAGING	DIMENSIONS (HxWxD)	PRICE
WC271022	White Wood	White box with colour label	530x340x130mm	£46.67

# Wooden Cabinets

## SIMPLICITY SINGLE DOOR SELF ASSEMBLY CABINET

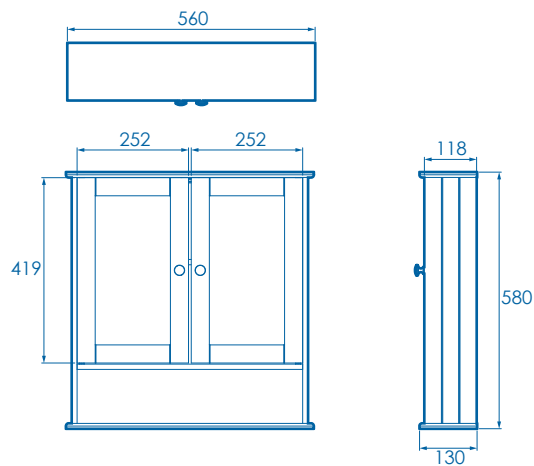
- Magnetic push catch opening
- White MDF cabinet with mirrored door
- One adjustable shelf
- Magnetic push catch opening
- Simple self-assembly format
- All fixtures and fittings included



PRODUCT CODE	MATERIAL	PACKAGING	DIMENSIONS (HxWxD)	PRICE
WC257122	White MDF	White box with colour label	300x300x140mm	£41.78

## ANDERSON DOUBLE MIRROR DOOR CABINET

- White wooden double mirror door cabinet
- One adjustable shelf
- Easy to install Hang'n'Lock system
- Simple self-assembly format
- All fixtures and fittings included
- Easy to install Hang'n'Lock system for single person installation

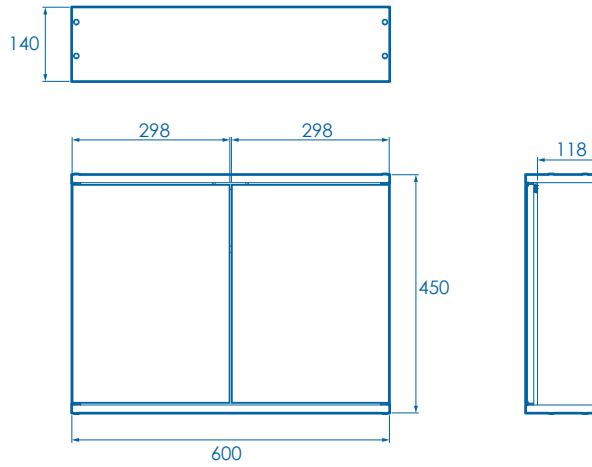


PRODUCT CODE	MATERIAL	PACKAGING	DIMENSIONS (HxWxD)	PRICE
WC271122	White Wood	White box with colour label	580x560x130mm	£71.67

# Wooden Cabinets

## SIMPLICITY DOUBLE DOOR CABINET

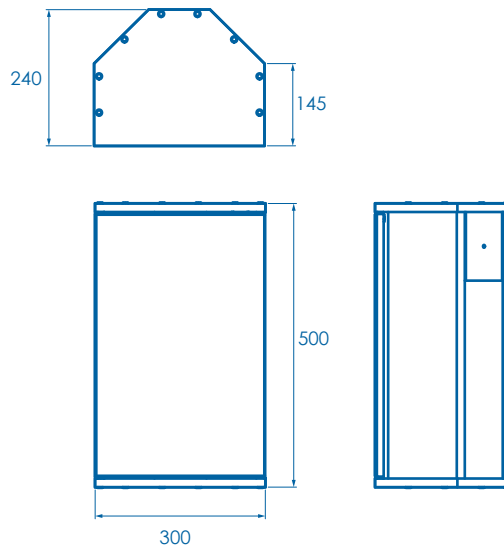
- Magnetic push catch opening
- White MDF cabinet with mirrored door
- One adjustable shelf
- Magnetic push catch opening
- Simple self-assembly format
- All fixtures and fittings included



PRODUCT CODE	MATERIAL	PACKAGING	DIMENSIONS (HxWxD)	PRICE
WC257022	White MDF	White box with colour label	450x600x140mm	£67.14

## SIMPLICITY SINGLE DOOR SELF ASSEMBLY CORNER CABINET

- Fits nicely into the corner of your bathroom
- White MDF cabinet with mirrored door
- One adjustable shelf
- Magnetic push catch opening
- Simple self-assembly format
- All fixtures and fittings included

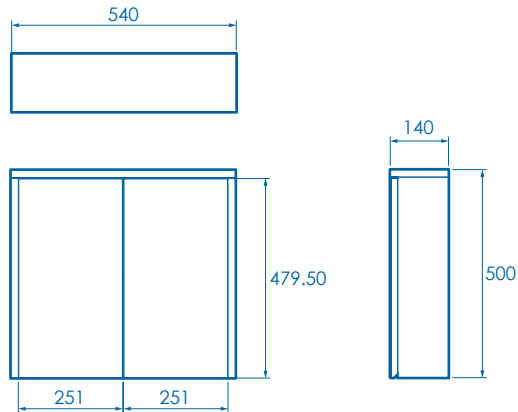


PRODUCT CODE	MATERIAL	PACKAGING	DIMENSIONS (HxWxD)	PRICE
WC257222	White MDF	White box with colour label	500x300x240mm	£56.33

# Wooden Cabinets

## SWIVEL DOUBLE DOOR BI-VIEW CABINET

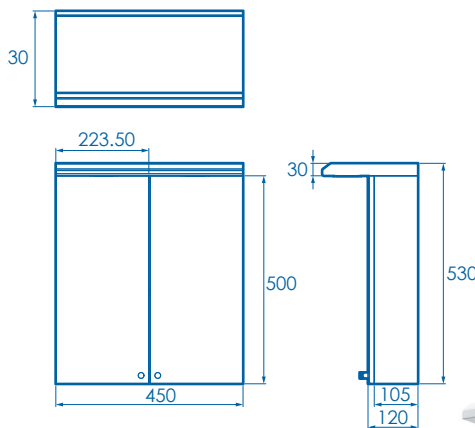
- Swivel doors
- White finish cabinet with swivel mirrored doors to provide an all round view
- One adjustable internal toughened glass shelf
- Supplied fully assembled
- All fixtures and fittings included



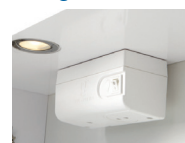
PRODUCT CODE	MATERIAL	PACKAGING	DIMENSIONS (HxWxD)	PRICE
WC440322	White MDF	White box with colour label	500x540x140mm	£93.91

## SHIRE DOUBLE DOOR ILLUMINATED CABINET

- Illuminated to provide a better look for your bathroom
- Steel cabinet with mirrored doors
- One fixed internal shelf
- Integrated shaver and charger socket
- Two halogen downlighters
- IP24 Rated, suitable for use in the outside zone



Shaver and charger socket

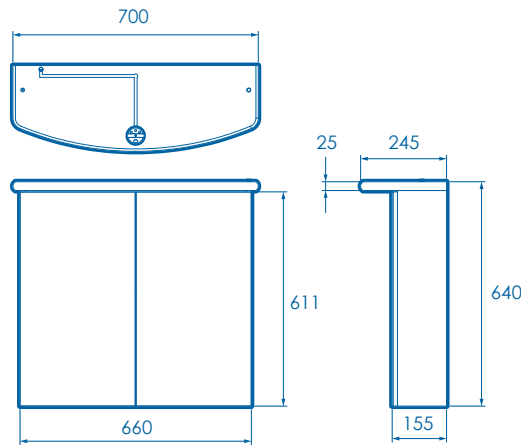


PRODUCT CODE	MATERIAL	PACKAGING	DIMENSIONS (HxWxD)	PRICE
WC266222E	White Steel	Brown box	530x450x230mm	£187.84
WC266205E	Stainless steel	Brown box	530x450x230mm	£233.85

# Illuminated Cabinets

## THAMES DOUBLE DOOR ILLUMINATED CABINET

- Illuminated to provide a better look for your bathroom
- White MDF cabinet with mirrored doors
- One internal shelf
- Integrated shaver and charger socket
- One halogen downlighter
- IP24 Rated, suitable for use in the outside zone



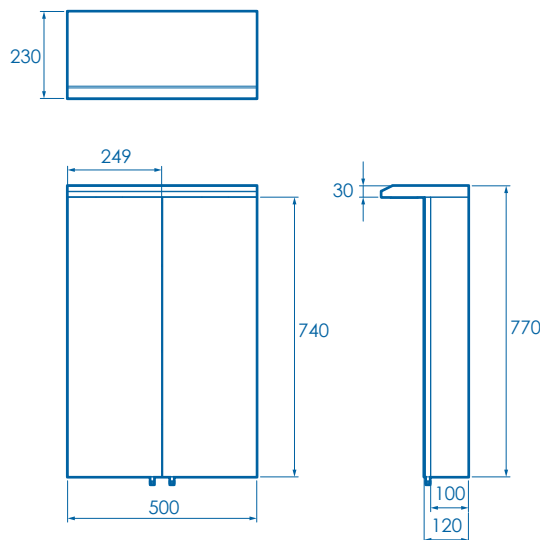
Shaver and charger socket



PRODUCT CODE	MATERIAL	PACKAGING	DIMENSIONS (HxWxD)	PRICE
WC146022E HANG 'N' LOCK	White MDF	Brown box	640x700x245mm	£281.76
WC146122E	White MDF	Brown box	640x700x245mm	£253.58

## COLORADO DOUBLE DOOR LARGE ILLUMINATED CABINET

- Stainless steel cabinet with mirrored doors
- Two glass shelves
- 120 Degree hinges
- Two halogen downlighters
- IP44 Rated, suitable for use in the outside zone



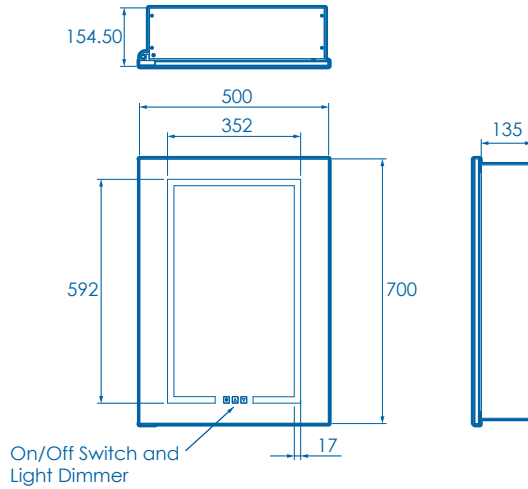
PRODUCT CODE	MATERIAL	PACKAGING	DIMENSIONS (HxWxD)	PRICE
WC786105E	Stainless steel	White box with colour label	770x500x230mm	£309.93



# Illuminated Cabinets

## CLARENCE SINGLE DOOR ILLUMINATED CABINET

- Aluminium cabinet with double sided mirrored door
- Illuminated LED mirror door with heated demister pad
- Integrated shaver and charger socket with touch sensitive on/off power switch
- Two adjustable tempered glass shelves
- IP44 Rated, suitable for use in the outside zone
- Easy to install Hang'n'Lock system for single person installation



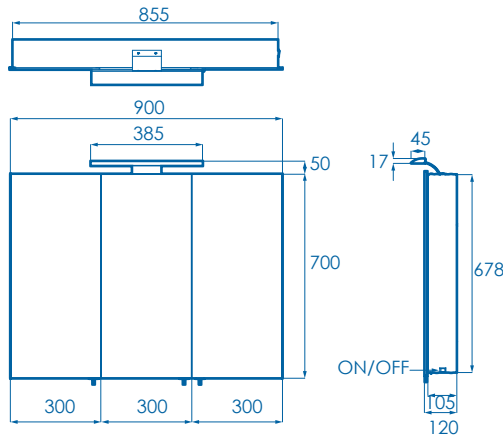
Shaver and charger socket



PRODUCT CODE	MATERIAL	PACKAGING	DIMENSIONS (HxWxD)	PRICE
WC147669E	Aluminium	Brown box with colour label	700x500x154.50mm	£479.17

## HAMPTON TRIPLE DOOR ILLUMINATED CABINET

- Aluminium cabinet with double sided mirrored doors and 180 degree hinges for increased accessibility
- Decorative LED lighting bar with rocker switch operation
- Integrated shaver and charger socket
- Two adjustable tempered glass shelves
- IP44 Rated, suitable for use in the outside zone
- Easy to install Hang'n'Lock system for single person installation



Shaver and charger socket



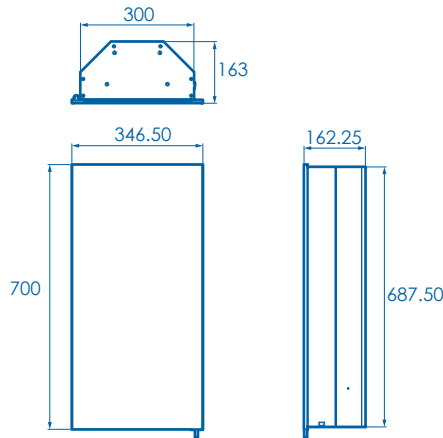
PRODUCT CODE	MATERIAL	PACKAGING	DIMENSIONS (HxWxD)	PRICE
WC147469E	Aluminium	Brown box with colour label	700x900x120mm	£437.50

# Illuminated Cabinets

## HOUSTON SINGLE DOOR ILLUMINATED CORNER CABINET



- Fits nicely into the corner of your bathroom
- Aluminium cabinet with double sided mirrored door and 180 degree hinges for increased accessibility
- Internal LED lighting panel with rocker switch operation
- Integrated shaver and charger socket
- Two adjustable tempered glass shelves
- IP44 Rated, suitable for use in the outside zone



Shaver and charger socket

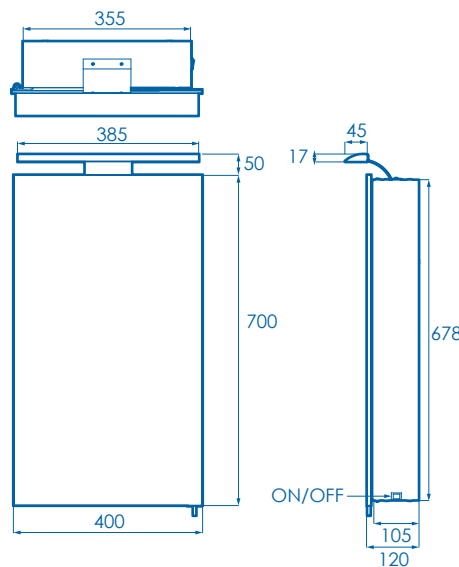


PRODUCT CODE	MATERIAL	PACKAGING	DIMENSIONS (HxWxD)	PRICE
WC147169E	Aluminium	Brown box with colour label	700x346.50x162.25mm	£316.67

## JEFFERSON SINGLE DOOR ILLUMINATED CABINET



- Aluminium cabinet with double sided mirrored door and 180 degree hinges for increased accessibility
- Decorative LED lighting bar with rocker switch operation
- Integrated shaver and charger socket
- Two adjustable tempered glass shelves
- IP44 Rated, suitable for use in the outside zone
- Easy to install Hang'n'Lock system for single person installation



Shaver and charger socket

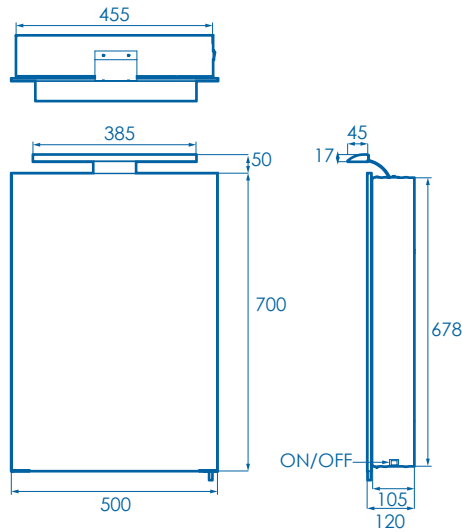


PRODUCT CODE	MATERIAL	PACKAGING	DIMENSIONS (HxWxD)	PRICE
WC147769E	Aluminium	Brown box with colour label	700x400x120mm	£270.83

# Illuminated Cabinets

## MADISON SINGLE DOOR ILLUMINATED CABINET

- Aluminium cabinet with double sided mirrored door and 180 degree hinges for increased accessibility
- Decorative LED lighting bar with rocker switch operation
- Integrated shaver and charger socket
- Two adjustable tempered glass shelves
- IP44 Rated, suitable for use in the outside zone



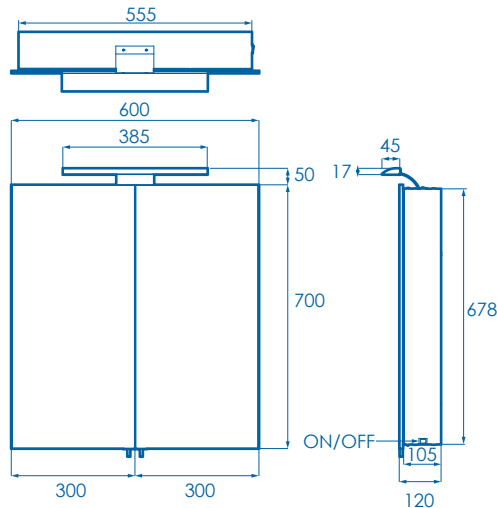
Shaver and charger socket



PRODUCT CODE	MATERIAL	PACKAGING	DIMENSIONS (HxWxD)	PRICE
WC147369E	Aluminium	Brown box with colour label	700x500x120mm	£291.67

## SADBURY DOUBLE DOOR ILLUMINATED CABINET

- Aluminium cabinet with double sided mirrored doors and 180 degree hinges for increased accessibility
- Decorative LED lighting bar with rocker switch operation
- Integrated shaver and charger socket
- Two adjustable tempered glass shelves
- IP44 Rated, suitable for use in the outside zone
- Easy to install Hang'n'Lock system for single person installation



Shaver and charger socket

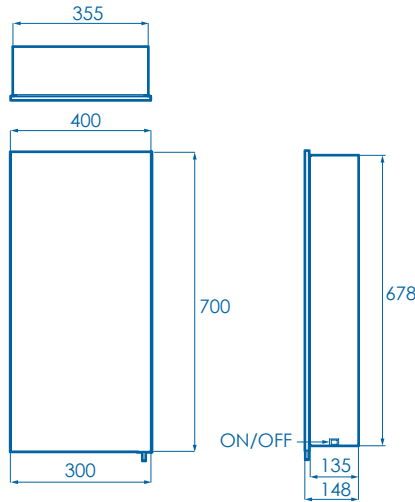


PRODUCT CODE	MATERIAL	PACKAGING	DIMENSIONS (HxWxD)	PRICE
WC147069E	Aluminium	Brown box with colour label	700x600x120mm	£312.50

# Illuminated Cabinets

## MAIFORD SINGLE DOOR ILLUMINATED CABINET

- Aluminium cabinet with double sided mirrored door and 180 degree hinges for increased accessibility
- Internal LED lighting panel with rocker switch operation
- Integrated shaver and charger socket
- Two adjustable tempered glass shelves
- IP44 Rated, suitable for use in the outside zone
- Easy to install Hang'n'Lock system for single person installation



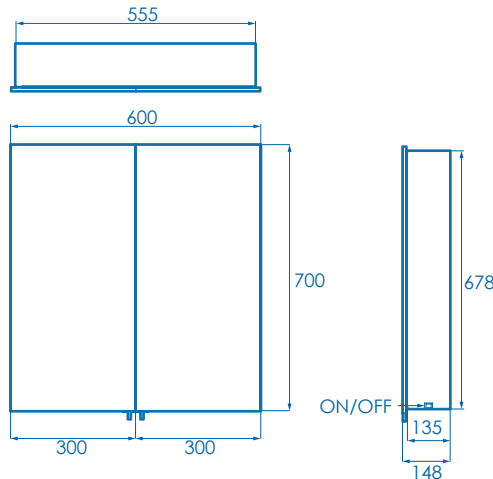
Shaver and charger socket



PRODUCT CODE	MATERIAL	PACKAGING	DIMENSIONS (HxWxD)	PRICE
WC147569E	Aluminium	Brown box with colour label	700x400x148mm	£333.33

## WARWICK DOUBLE DOOR ILLUMINATED CABINET

- Aluminium cabinet with double sided mirrored doors and 180 degree hinges for increased accessibility
- Internal LED lighting panel with rocker switch operation
- Integrated shaver and charger socket
- Two adjustable tempered glass shelves
- IP44 Rated, suitable for use in the outside zone
- Easy to install Hang'n'Lock system for single person installation



Shaver and charger socket



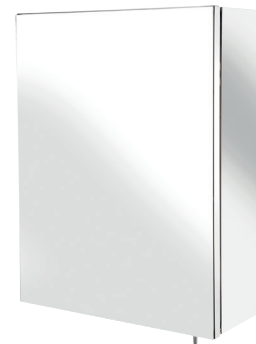
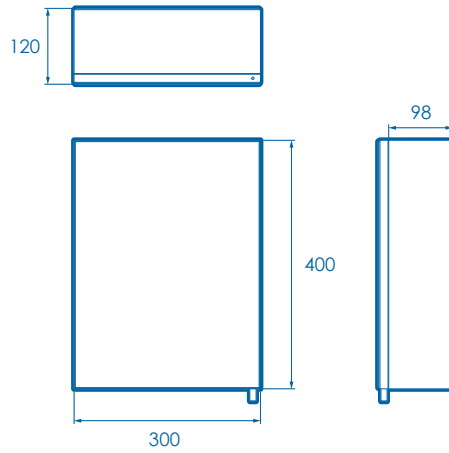
PRODUCT CODE	MATERIAL	PACKAGING	DIMENSIONS (HxWxD)	PRICE
WC147269E	Aluminium	Brown box with colour label	700x600x148mm	£400.00

CABINETS AND STORAGE

# Stainless Steel Cabinets

## AVON SINGLE DOOR SMALL CABINET

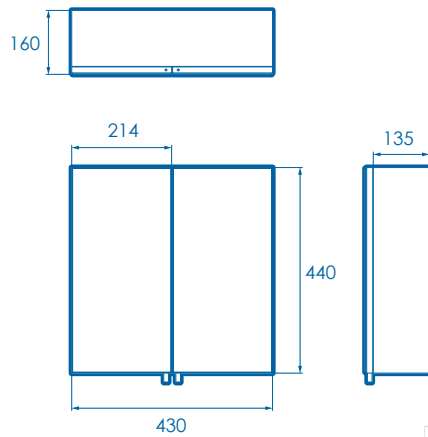
- Perfect for small spaces
- Stainless steel slimline cabinet with mirrored door
- Ideal for small spaces
- Fixed internal stainless steel shelf
- 90 Degree sprung hinges
- Supplied fully assembled, all fixtures and fittings



PRODUCT CODE	MATERIAL	PACKAGING	DIMENSIONS (HxWxD)	PRICE
WC856005	Stainless steel	White box with colour label	400x300x120mm	£65.73

## AVON DOUBLE DOOR SMALL CABINET

- Perfect for small spaces
- Stainless steel slimline cabinet with mirrored doors
- Ideal for small spaces
- Fixed internal stainless steel shelf
- 90 Degree sprung hinges
- Supplied fully assembled, all fixtures and fittings

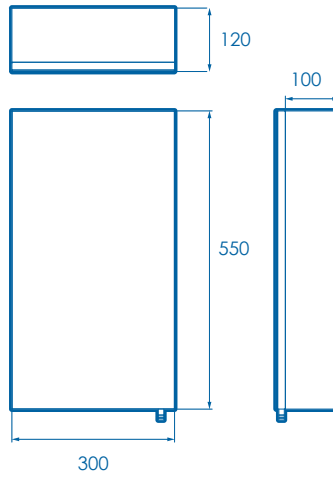


PRODUCT CODE	MATERIAL	PACKAGING	DIMENSIONS (HxWxD)	PRICE
WC866105	White	White box with colour label	440x430x160mm	£93.91

# Stainless Steel Cabinets

## ANTON SINGLE DOOR STANDARD CABINET

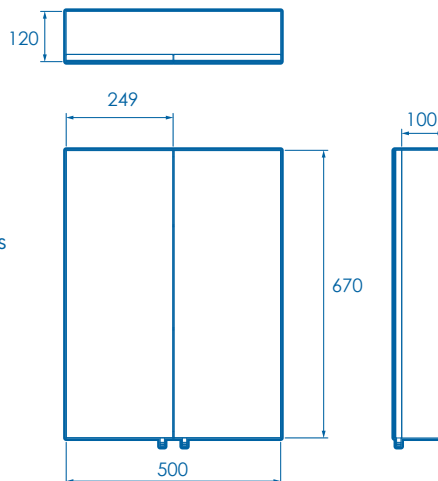
- Creates the look of additional space with mirrored doors
- Stainless steel cabinet with mirrored door
- Easy clean white MDF interior carcass for added strength
- Adjustable glass shelf
- 120 Degree sprung hinges
- Chrome plated pin handle
- Supplied fully assembled, all fixtures and fittings



PRODUCT CODE	MATERIAL	PACKAGING	DIMENSIONS (HxWxD)	PRICE
WC736005	Stainless steel	White box with colour label	550x300x120mm	£93.91

## ANTON DOUBLE DOOR STANDARD CABINET

- Creates the look of additional space with mirrored doors
- Stainless steel cabinet with mirrored door
- Easy clean white MDF interior carcass for added strength
- Two adjustable glass shelves
- 120 Degree sprung hinges
- Chrome plated pin handle
- Supplied fully assembled, all fixtures and fittings

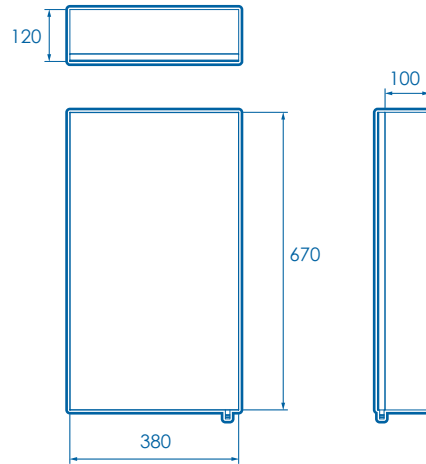


PRODUCT CODE	MATERIAL	PACKAGING	DIMENSIONS (HxWxD)	PRICE
WC756105	Stainless steel	White box with colour label	670x500x120mm	£169.04

# Stainless Steel Cabinets

## COLORADO SINGLE DOOR LARGE CABINET

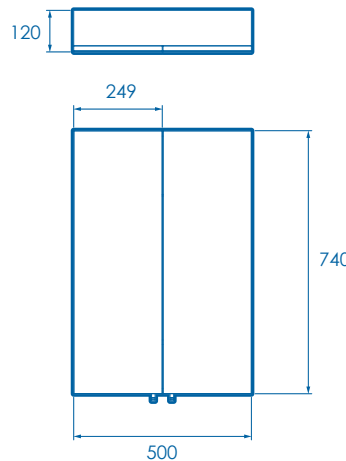
- Stainless steel cabinet with mirrored door
- Adjustable glass shelf
- Easy clean white MDF interior carcass for added strength
- Chrome plated pin handle
- Storage box on inside door
- Perfect for additional storage space
- Supplied fully assembled, all fixtures and fittings included



PRODUCT CODE	MATERIAL	PACKAGING	DIMENSIONS (HxWxD)	PRICE
WC746005	Stainless steel	White box with colour label	670x380x120mm	£164.36

## COLORADO DOUBLE DOOR LARGE CABINET

- Stainless steel cabinet with mirrored doors
- Two adjustable glass shelves
- Easy clean white MDF interior carcass for added strength
- Chrome plated pin handle
- Storage box on inside door
- Perfect for additional storage space
- Supplied fully assembled, all fixtures and fittings included

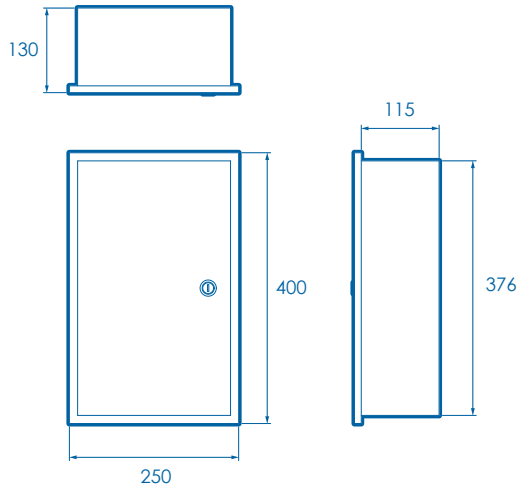


PRODUCT CODE	MATERIAL	PACKAGING	DIMENSIONS (HxWxD)	PRICE
WC776105	Stainless steel	White box with colour label	740x500x120mm	£211.31

# Lockable Cabinets

## TRENT LOCKABLE MEDICINE CABINET

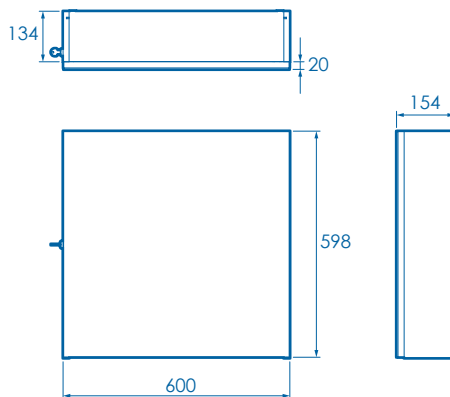
- Stainless steel cabinet with mirrored door
- Fixed stainless steel shelf
- 160 Degree pivot hinge
- Secure locking system for storage of medicines
- Supplied fully assembled, all fixtures and fittings including



PRODUCT CODE	MATERIAL	PACKAGING	DIMENSIONS (HxWxD)	PRICE
WC846005	Stainless steel	White box with colour label	400x250x130mm	£59.15

## LOCKABLE WALNUT EFFECT CABINET

- Walnut effect single mirror door cabinet
- Two adjustable shelves
- Soft close hinges
- Secure locking system for storage of medicines
- Supplied fully assembled, all fixtures and fittings including



PRODUCT CODE	MATERIAL	PACKAGING	DIMENSIONS (HxWxD)	PRICE
WC250177	MDF	Brown box with colour label	598x600x154mm	£187.50







## Inclusive Products

Making your bathroom mobility friendly can be as simple as investing in some new accessories to help make life that little bit easier, without compromising on its look and feel.



## Inclusive products

Ensuring mobility for all in the bathroom is something that our inclusive range assists with whilst ensuring rooms look modern and clutter free. These products are also designed to suit shared bathrooms meaning that accessibility and usability is not affected for anyone.

Our extensive range of bath and shower seating includes free standing and wall mounted options. Provided with each listing you will find detailed line drawings along with guidance for use and weight tolerances which will ensure you select the right product. The wall mounted options featured

can be folded away when not in use and offer an easy wipe clean finish. To ensure complete stability our free-standing seats all contain slip-resistant rubber feet and sturdy legs, some of which are adjustable in height.

To further ensure independence in the bathroom our handrails and selection of wall mounted bars are ideal. These are available in a range of designs and finishes to help you match the product to the existing décor of the room. Handrails can be securely attached to the wall and folded away when not in use. Featured

in a selection of lengths and finishes are the stainless steel, Grab'n'Grip and ABS bars which can be placed where needed. Designs also range from classic to modern which means you can match to the environment. For even more piece of mind the Grab'n'Grip and ABS bars feature additional grips to prevent the hands slipping.

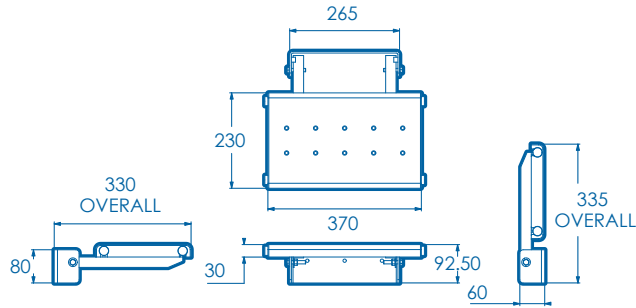
Additional to the inclusive offerings are the assistive four function shower handset and inclusive showering kit designed to make operating a shower easier for the disabled.



# Shower and Bath Seating

## WALL MOUNTED FOLD AWAY SHOWER SEAT

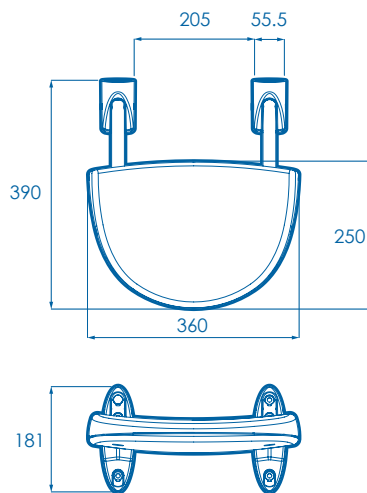
- Wall mounted shower seat
- Easy to clean
- Folds away neatly when not in use
- Suitable for users up to 90kg/198lbs/14st 2lbs when fitted to a solid wall
- Wipe clean
- Fixings not included



PRODUCT CODE	MATERIAL	DIMENSIONS (HxWxD)	PRICE
AP230022	White Powder Coated Chrome/Plastic	80x92.50x330mm	£46.94

## WHITE FOLD AWAY SHOWER SEAT

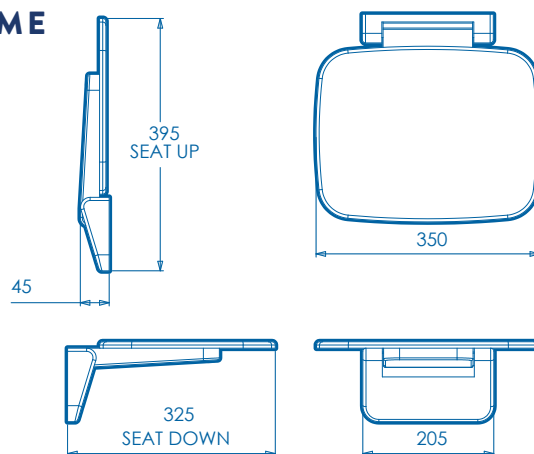
- Wall mounted shower seat
- Stainless steel bars and screws
- Folds away when not in use
- Suitable for users up to 120kg/264lbs/18st 12lbs when fitted to a solid wall
- Wipe clean
- Fixings not included



PRODUCT CODE	MATERIAL	DIMENSIONS (HxWxD)	PRICE
AP120022	Stainless Steel/White Plastic	181x360x390mm	£65.73

## WHITE AND CHROME FOLD AWAY SHOWER SEAT

- Wall mounted shower seat
- Folds away when not in use
- Suitable for users up to 100kg/220lbs/15st 10lbs when fitted to a solid wall
- Wipe clean
- Fixings not included

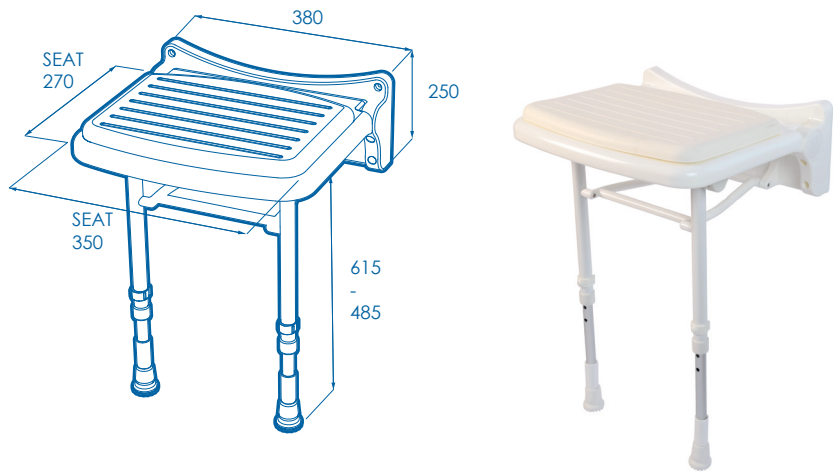


PRODUCT CODE	MATERIAL	DIMENSIONS (HxWxD)	PRICE
AP120122	Chrome Plated/White Plastic	395x350x45mm	£75.12

# Shower and Bath Seating

## WALL MOUNTED SHOWER CHAIR

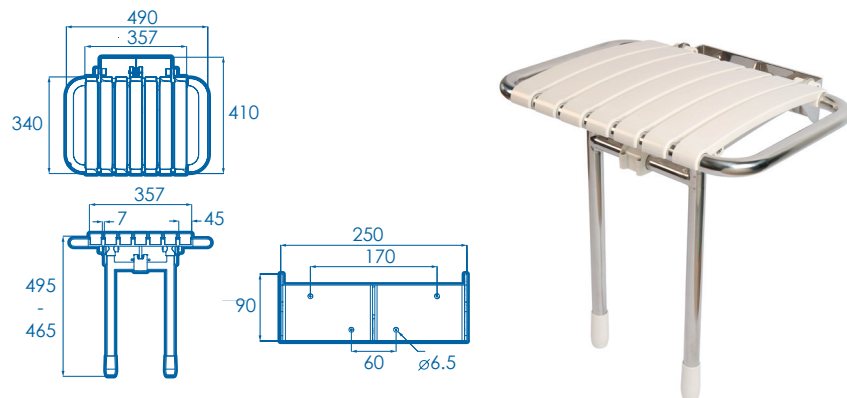
- Padded wall mounted shower chair with fold down legs
- Six position height adjustable seat: 485 - 615mm
- Removable pad for easy cleaning
- Folds up when not in use
- Suitable for users up to 158kg/348lbs/24st 12lbs when fitted to a solid wall
- Fixings not included



PRODUCT CODE	MATERIAL	DIMENSIONS (HxWxD)	PRICE
AP503122	White Powder Coated Aluminium/Plastic	485x350x360mm	£169.04

## NEWPORT FOLD UP SEAT

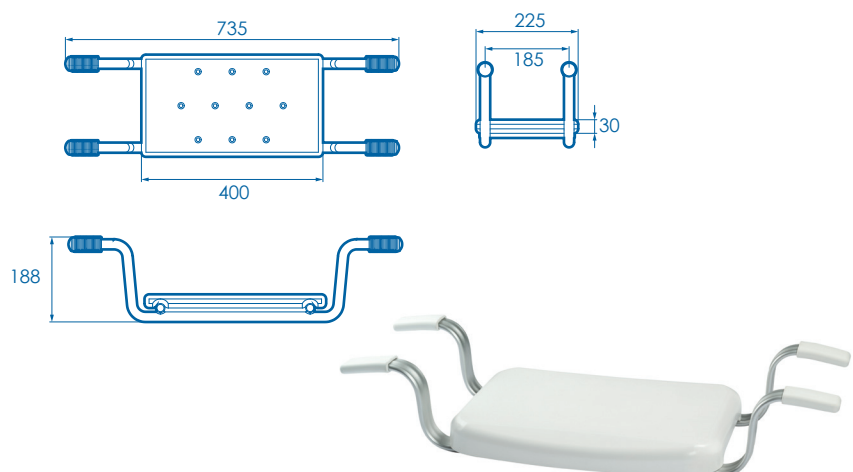
- Wall mounted shower seat
- Easy to clean
- Folds away neatly when not in use
- Stainless steel frame and legs
- Suitable for users up to 130kg/286lbs/20st 6lbs when fitted to a solid wall
- Wipe clean
- Fixings not included



PRODUCT CODE	MATERIAL	DIMENSIONS (HxWxD)	PRICE
AP504122	Polished Stainless Steel/White Plastic	465-495x490x410mm	£169.04

## WHITE EASY-FIT BATH BENCH

- Corrosion-resistant aluminium frame with easy to clean moulded plastic seat
- Soft caps protect the edge of the bath and prevent the seat from moving
- Fits most 700mm wide parallel sided baths
- Suitable for users up to 90kg/198lbs/14st 2lbs

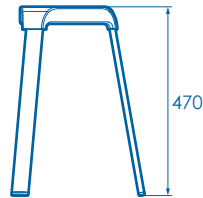
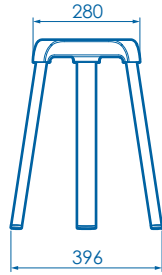
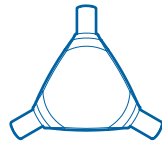


PRODUCT CODE	MATERIAL	DIMENSIONS (HxWxD)	PRICE
AP210122	Aluminium/White Plastic	188x735x225mm	£51.64

# Shower and Bath Seating

## SHOWER STOOL

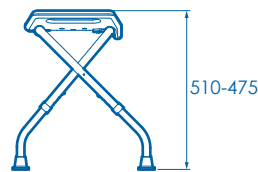
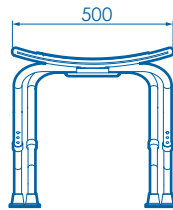
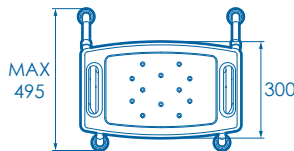
- Slip-resistant rubber feet
- Made of rust free materials
- Easy to clean moulded plastic seat
- Lightweight but sturdy



PRODUCT CODE	MATERIAL	DIMENSIONS (HxWxD)	PRICE
AP130622	Aluminium/White Plastic	470x396x396mm	£37.55

## ADJUSTABLE BATHROOM AND SHOWER SEAT

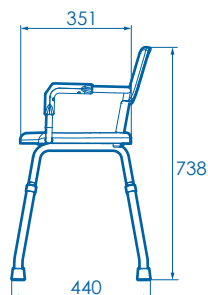
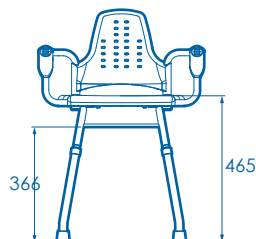
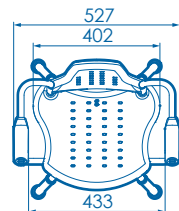
- Shaped seat with built-in hand holds to provide stability
- Slip-resistant rubber feet
- Height adjustable aluminium legs
- Easy to clean plastic seat
- Lightweight yet sturdy
- Folds away neatly when not in use
- Suitable for users up to 100kg/22lbs/15st 10lbs



PRODUCT CODE	MATERIAL	DIMENSIONS (HxWxD)	PRICE
AP100122	Aluminium/White Plastic	475-510x500x495mm	£61.03

## MODULAR SHOWER STOOL

- Lightweight but sturdy shower seat with arms and back rest
- Slip-resistant rubber feet
- Corrosion-resistant
- Height adjustable from 366-465mm
- Suitable for users up to 190kg/420lbs/30st

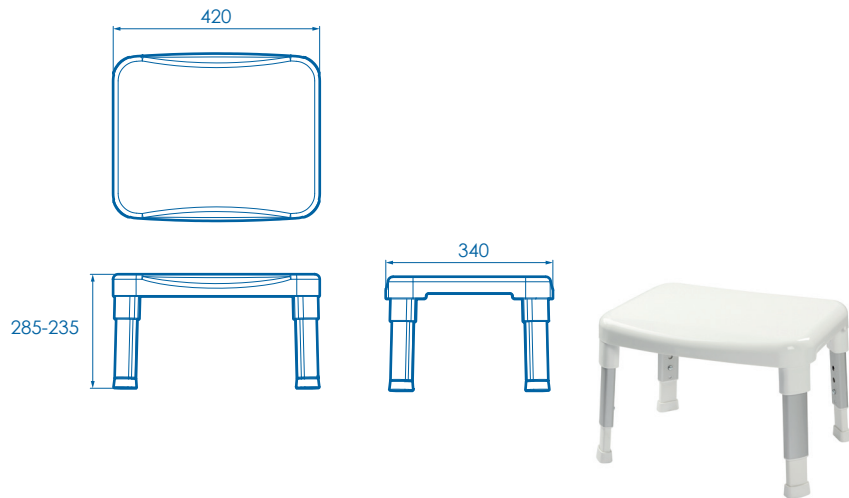


PRODUCT CODE	MATERIAL	DIMENSIONS (HxWxD)	PRICE
AP400222	Aluminium/White Plastic	930x540x310mm	£92.96

# Shower and Bath Seating

## SMALL WHITE ADJUSTABLE SHOWER STOOL

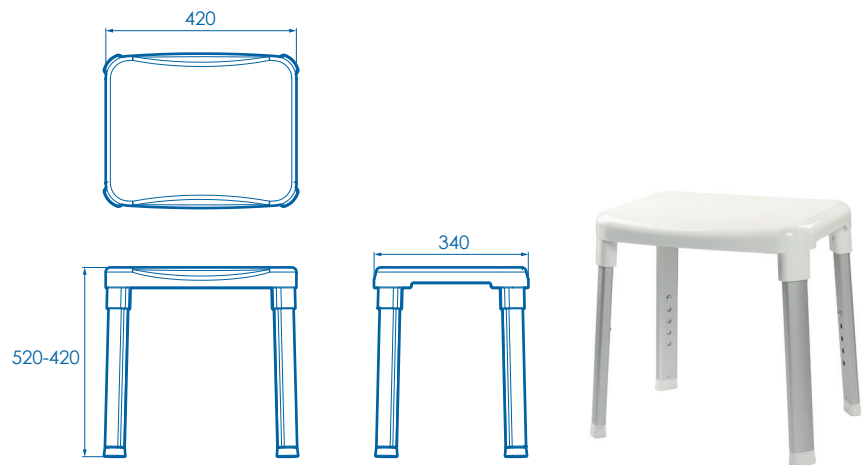
- Large sitting area: 340x420mm
- Slip-resistant rubber feet
- Made of rust free material
- Height adjustable from 235-285mm
- Suitable for users up to 100kg/220lbs/15st 10lbs
- Aluminium Legs



PRODUCT CODE	MATERIAL	DIMENSIONS (HxWxD)	PRICE
AP130222	Aluminium/White Plastic	235-285x420x340mm	£56.33

## LARGE WHITE ADJUSTABLE SHOWER STOOL

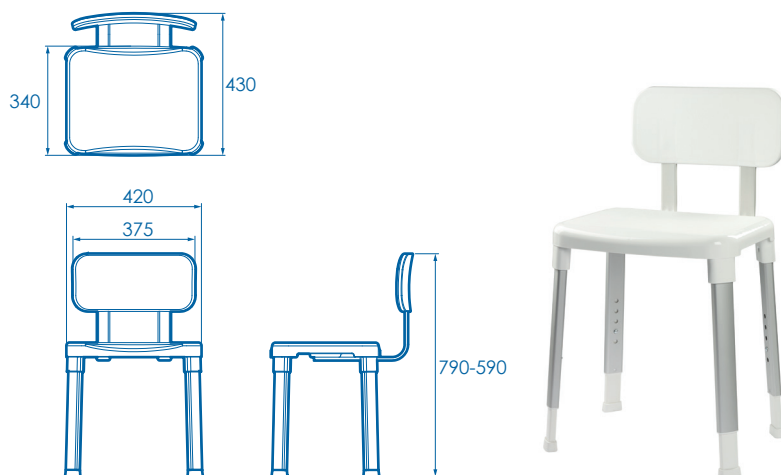
- Large sitting area: 340x420mm
- Slip-resistant rubber feet
- Made of rust free material
- Height adjustable from 420-520mm
- Fixings not included
- Suitable for users up to 100kg/220lbs/15st 10lbs
- Aluminium Legs



PRODUCT CODE	MATERIAL	DIMENSIONS (HxWxD)	PRICE
AP130522	Aluminium/White Plastic	420-520x420x350mm	£61.03

## MODULAR SHOWER SEAT

- Bathroom seat with back
- Large sitting area: 340x420mm
- Slip-resistant rubber feet
- Made of rust free materials
- Height adjustable from 590-790mm
- Suitable for users up to 100kg/220lbs/15st 10lbs
- Aluminium Legs



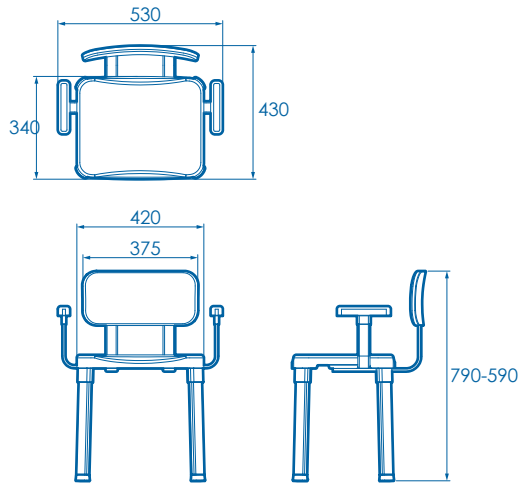
PRODUCT CODE	MATERIAL	DIMENSIONS (HxWxD)	PRICE
AP130322	Aluminium/White Plastic	590-790x420x430mm	£79.82



# Shower and Bath Seating

## MODULAR SHOWER SEAT WITH ARMS

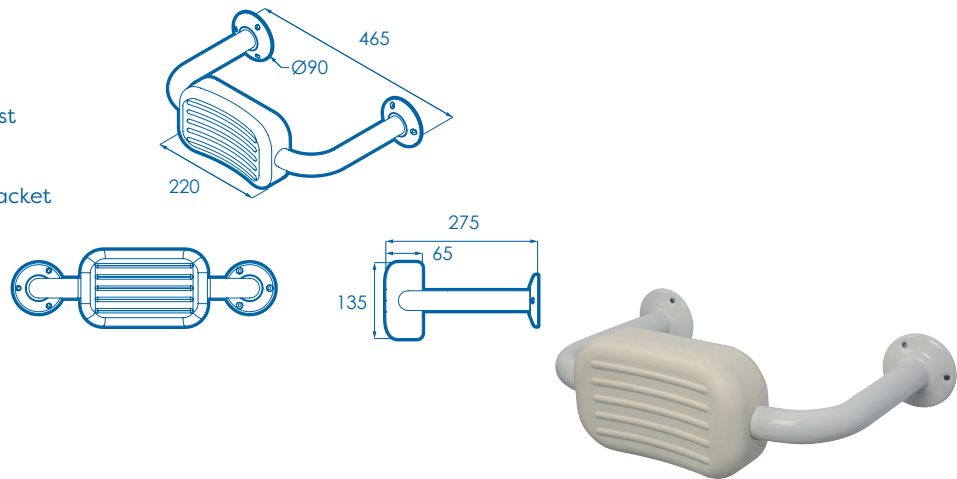
- Bathroom seat with back and arms
- Large sitting area: 340x420mm
- Slip-resistant rubber feet
- Made of rust free materials
- Height adjustable from 590-790mm
- Suitable for users up to 100kg/220lbs/15st 10lbs
- Aluminium Legs



PRODUCT CODE	MATERIAL	DIMENSIONS (HxWxD)	PRICE
AP130422	Aluminium/White Plastic	590-790x530x430mm	£89.21

## PADDED BACKREST

- Provides extra support whilst sitting in the shower
- Padded white back rest
- Epoxy coated mild steel bracket
- Easy to clean
- Suitable for users up to 70kg/154lbs/11st
- Fixings not included



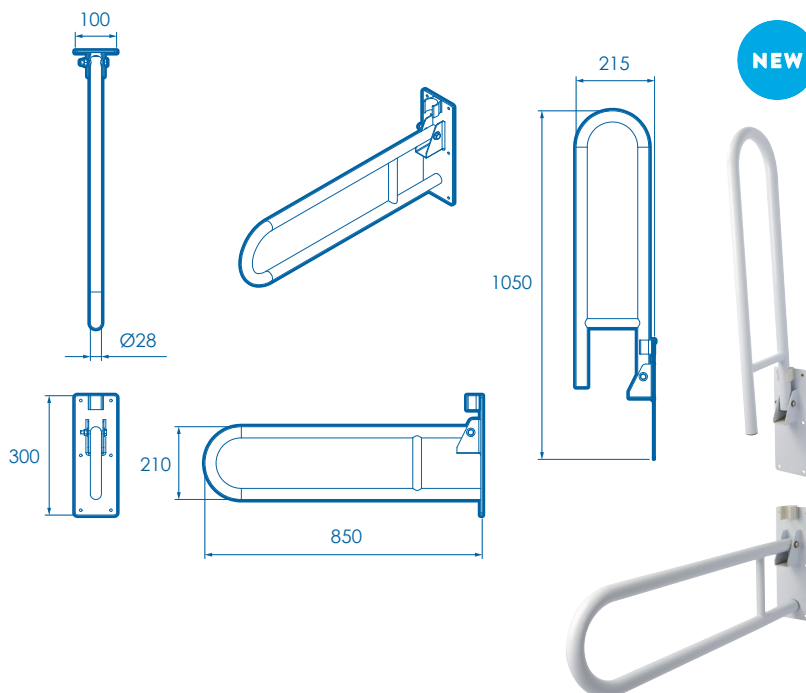
PRODUCT CODE	MATERIAL	DIMENSIONS (HxWxD)	PRICE
AP503222	Chrome Plated/White Plastic	135x465x275mm	£70.42



# Hand Rails

## FOLDAWAY HAND RAIL

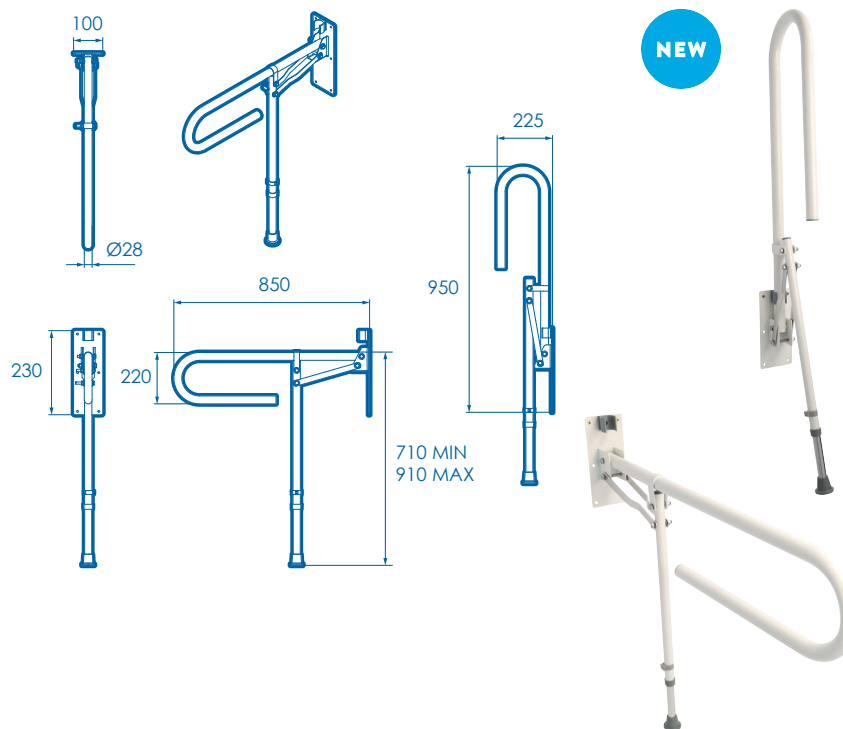
- Provides additional support while in the bathroom
- Fold away hand rail clips in vertical position when not in use
- Powder coated stainless steel
- Suitable for users up to 130kg/286lbs/20st 6lbs when fitted to a solid wall
- Fixings not included



PRODUCT CODE	MATERIAL	DIMENSIONS (HxWxD)	PRICE
AP502822	White Powder Coated Stainless Steel	300x100x850mm	£103.30
AP502834	Blue Powder Coated Stainless Steel	300x100x850mm	£103.30
AP502831 (NEW)	Grey Powder Coated Stainless Steel	300x100x850mm	£103.30
AP502841	Polished Stainless Steel	300x100x850mm	£112.69

## FOLDAWAY HAND RAIL WITH DROP DOWN LEG

- Fold away hand rail clips in vertical position when not in use
- Powder coated stainless steel
- Nine position adjustable leg: 710-910mm
- Suitable for users up to 150kg/330lbs/23st 8lbs when fitted to a solid wall
- Fixings not included

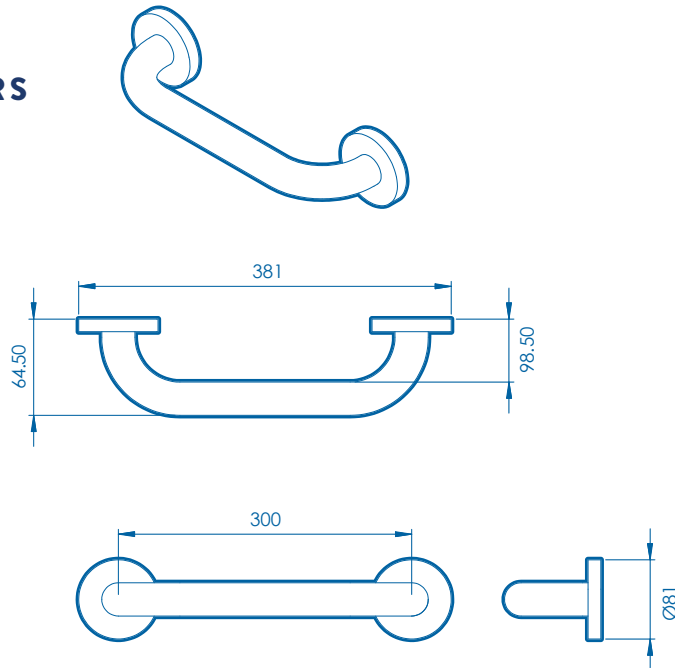


PRODUCT CODE	MATERIAL	DIMENSIONS (HxWxD)	PRICE
AP502922	White Powder Coated Stainless Steel	710-910x100x850mm	£122.09
AP502931 (NEW)	Grey Powder Coated Stainless Steel	710-910x100x850mm	£122.09
AP502941	Polished Stainless Steel	710-910x100x850mm	£131.48

# Stainless Steel Grab Bars

## 300mm STAINLESS STEEL STRAIGHT GRAB BARS

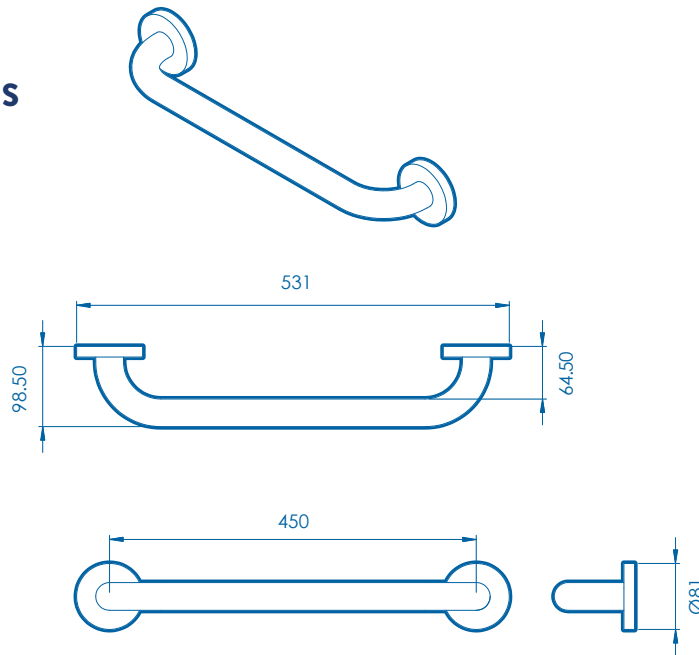
- 32mm Diameter bar for easier gripping
- Suitable for users up to 100kg/220lbs/15st 10lbs when fitted to a solid wall
- Powder coated stainless steel
- Corrosion-resistant, suitable for use in 'wet' showering areas
- Concealed fixings
- Fixings not included



PRODUCT CODE	MATERIAL	DIMENSIONS (LxW)	PRICE
AP501022	White Powder Coated Stainless Steel	300x81mm	£19.70
AP501034	Blue Powder Coated Stainless Steel	300x81mm	£19.70
AP501031	Grey Powder Coated Stainless Steel	300x81mm	£19.70
AP501041	Chrome Plated Stainless Steel	300x81mm	£22.52

## 450mm STAINLESS STEEL STRAIGHT GRAB BARS

- 32mm Diameter bar for easier gripping
- Suitable for users up to 100kg/220lbs/15st 10lbs when fitted to a solid wall
- Powder coated stainless steel
- Corrosion-resistant, suitable for use in 'wet' showering areas
- Concealed fixings
- Fixings not included

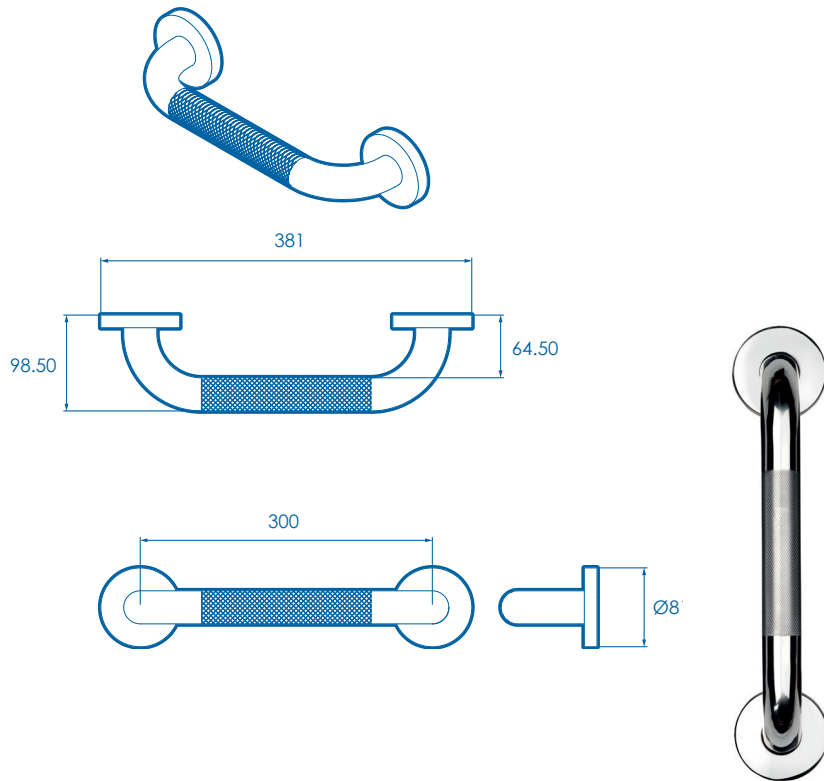


PRODUCT CODE	MATERIAL	DIMENSIONS (LxW)	PRICE
AP501122	White Powder Coated Stainless Steel	450x81mm	£22.06
AP501134	Blue Powder Coated Stainless Steel	450x81mm	£22.06
AP501131	Grey Powder Coated Stainless Steel	450x81mm	£22.06
AP501141	Chrome Plated Stainless Steel	450x81mm	£24.56

# Stainless Steel Grab Bars

## 300mm STAINLESS STEEL GRAB BAR WITH ANTI-SLIP GRIP

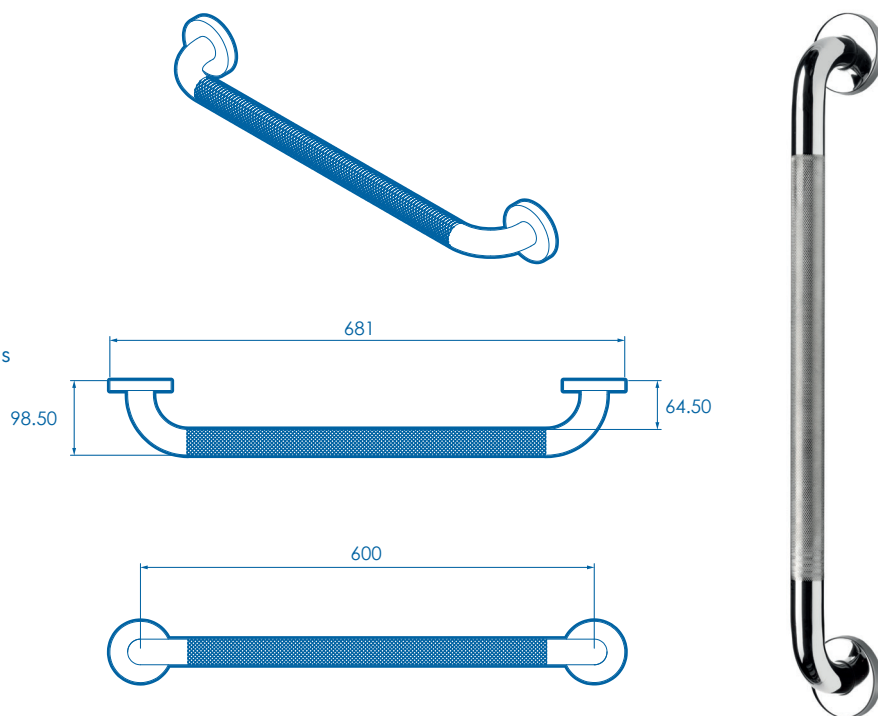
- 32mm Diameter bar with anti-slip grip prevents wet hands slipping on the rail
- Suitable for users up to 100kg/220lbs/15st 10lbs when fitted to a solid wall
- Corrosion-resistant, suitable for use in 'wet' showering areas
- Concealed fixings
- Fixings not included



PRODUCT CODE	MATERIAL	DIMENSIONS (LxW)	PRICE
AP500541	Polished/ Knurled Stainless Steel	300x81mm	£25.34

## 600mm STAINLESS STEEL GRAB BAR WITH ANTI-SLIP GRIP

- 32mm Diameter bar for easier gripping
- Suitable for users up to 100kg/220lbs/15st 10lbs when fitted to a solid wall
- Corrosion-resistant, suitable for use in 'wet' showering areas
- Concealed fixings
- Fixings not included

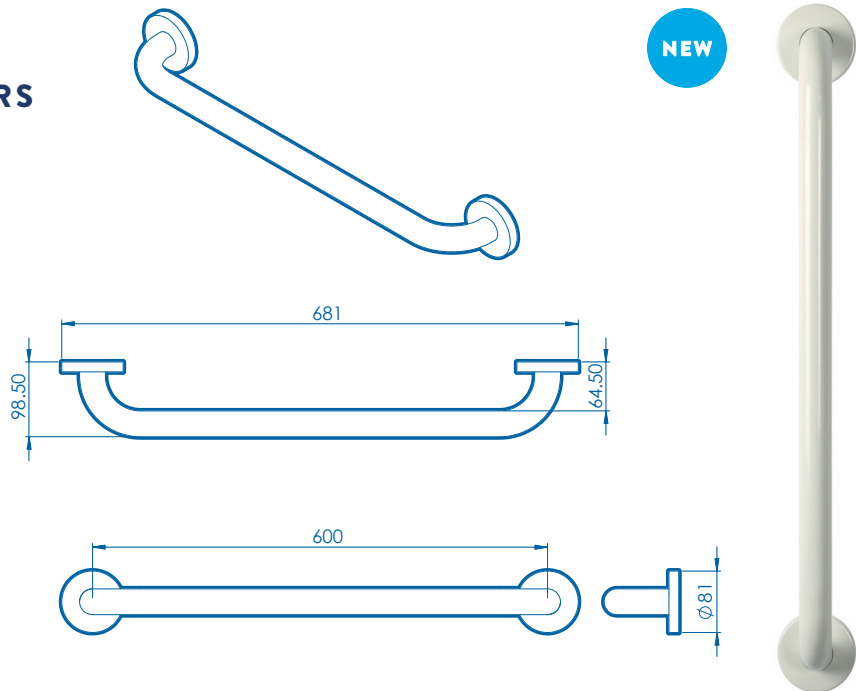


PRODUCT CODE	MATERIAL	DIMENSIONS (LxW)	PRICE
AP500741	Polished/ Knurled Stainless Steel	600x64.50mm	£30.04

# Stainless Steel Grab Bars

## 600mm STAINLESS STEEL STRAIGHT GRAB BARS

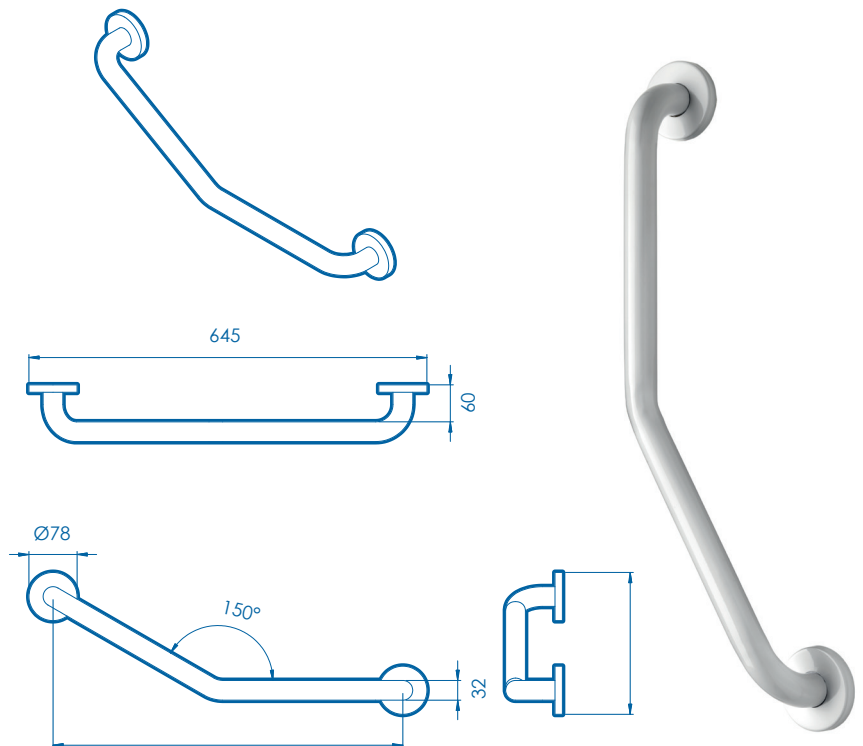
- 32mm Diameter bar for easier gripping
- Suitable for users up to 100kg/220lbs/15st 10lbs when fitted to a solid wall
- Powder coated stainless steel
- Corrosion-resistant, suitable for use in 'wet' showering areas
- Concealed fixings
- Fixings not included



PRODUCT CODE	MATERIAL	DIMENSIONS (LxW)	PRICE
AP501222	White Powder Coated Stainless Steel	600x81mm	£24.40
AP501234	Blue Powder Coated Stainless Steel	600x81mm	£24.40
AP501231	Grey Powder Coated Stainless Steel	600x81mm	£24.40
AP501241	Chrome Plated Stainless Steel	600x81mm	£27.22

## STAINLESS STEEL ANGLED GRAB BAR

- Angled support bar for hand and forearm
- 32mm Diameter bar for easier gripping
- Suitable for users up to 100kg/220lbs/15st 10lbs when fitted to a solid wall
- Corrosion-resistant, suitable for use in 'wet' showering areas
- Concealed fixings
- Fixings not included

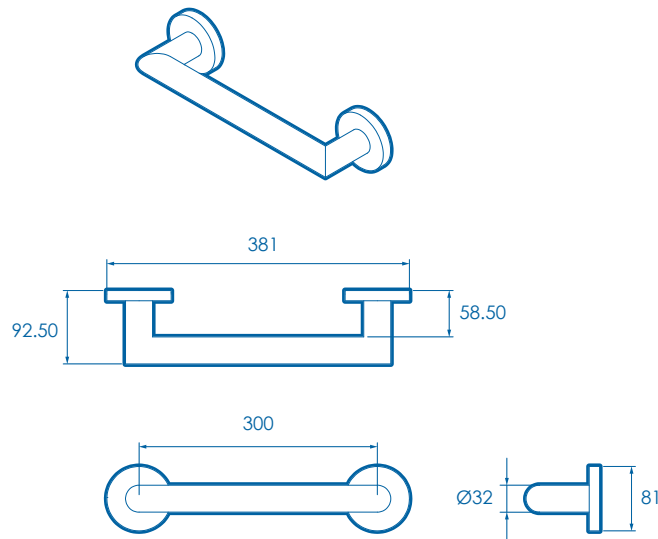


PRODUCT CODE	MATERIAL	DIMENSIONS (LxW)	PRICE
AP501322	White Powder Coated Stainless Steel	645x60mm	£30.04
AP501341	Chrome Plated Stainless Steel	645x60mm	£32.86

## Stainless Steel Grab Bars

### 300mm STAINLESS STEEL GRAB BAR

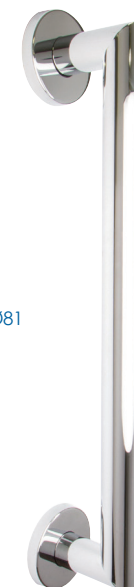
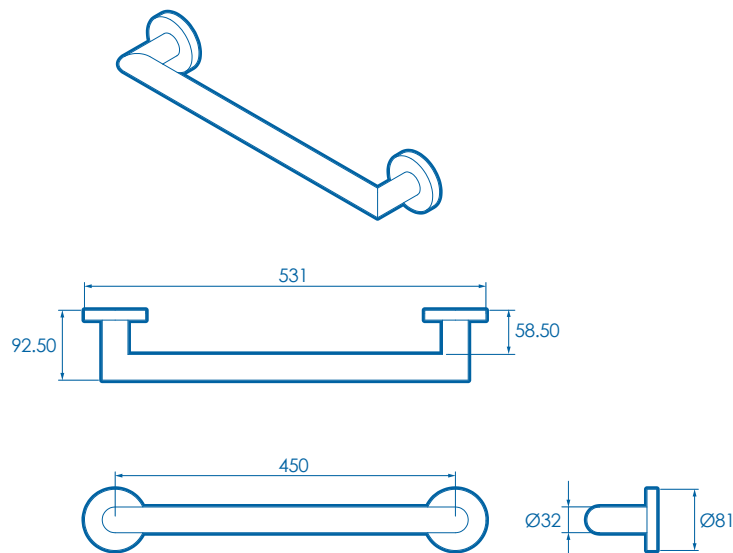
- 32mm Diameter bar for easier gripping
- Provides confidence and stability when getting in and out of the bath or shower
- Maximum loading is 100kg/220lbs/15st 10lbs when fitted to a solid wall
- Chrome plated stainless steel
- Corrosion-resistant, suitable for use in 'wet' showering areas
- Ideal for the bathroom and can be used around the home
- Concealed fixings
- Fixings not included



PRODUCT CODE	MATERIAL	DIMENSIONS (LxW)	PRICE
AP506105	Chrome Plated Stainless Steel	300x92.50mm	£26.67

### 450mm STAINLESS STEEL GRAB BAR

- 32mm Diameter bar for easier gripping
- Provides confidence and stability when getting in and out of the bath or shower
- Maximum loading is 100kg/220lbs/15st 10lbs when fitted to a solid wall
- Chrome plated stainless steel
- Corrosion - resistant, suitable for use in 'wet' showering areas
- Ideal for the bathroom and can be used around the home
- Concealed fixings
- Fixings not included

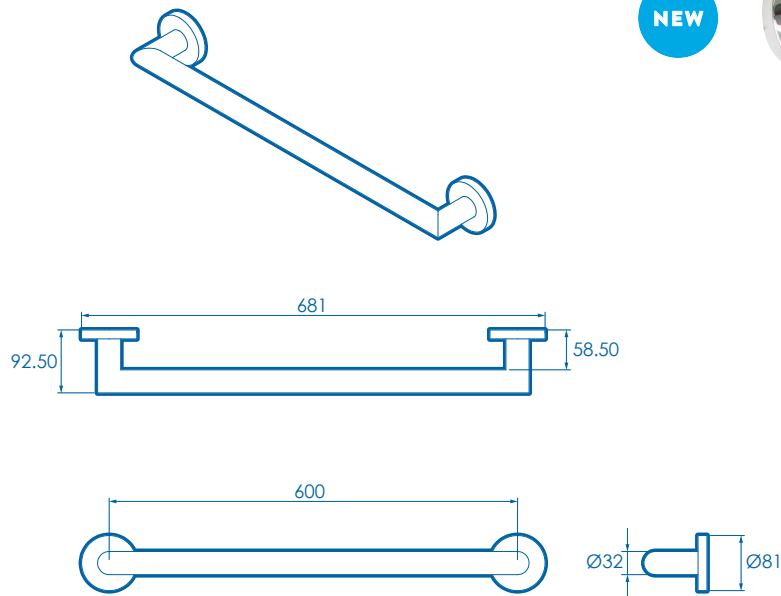


PRODUCT CODE	MATERIAL	DIMENSIONS (LxW)	PRICE
AP506205	Chrome Plated Stainless Steel	450x92.50mm	£28.75

# Stainless Steel Grab Bars

## 600mm STAINLESS STEEL GRAB BAR

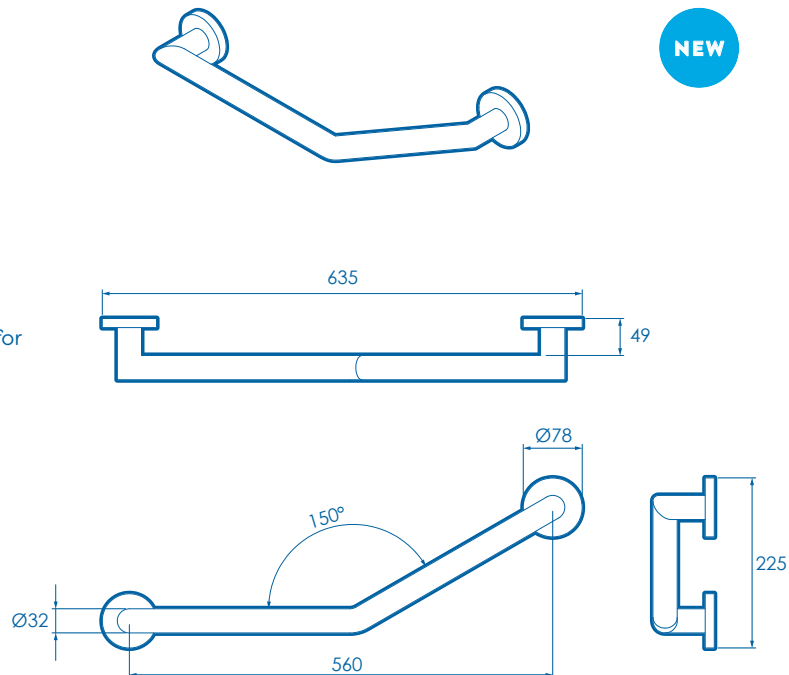
- 32mm Diameter bar for easier gripping
- Provides confidence and stability when getting in and out of the bath or shower
- Maximum loading is 100kg/220lbs/15st 10lbs when fitted to a solid wall
- Chrome plated stainless steel
- Corrosion - resistant, suitable for use in 'wet' showering areas
- Ideal for the bathroom and can be used around the home
- Concealed fixings
- Fixings not included



PRODUCT CODE	MATERIAL	DIMENSIONS (LxW)	PRICE
AP506305	Chrome Plated Stainless Steel	600x92.50mm	£30.83

## STAINLESS STEEL ANGLED GRAB BAR

- Provides additional support while in the bathroom
- 32mm Diameter bar for easier gripping
- Chrome plated
- Suitable for users up to 100kg/220lbs/15st 10lbs
- Corrosion-resistant, suitable for use in 'wet' showering areas
- Concealed fixings
- Fixings not included

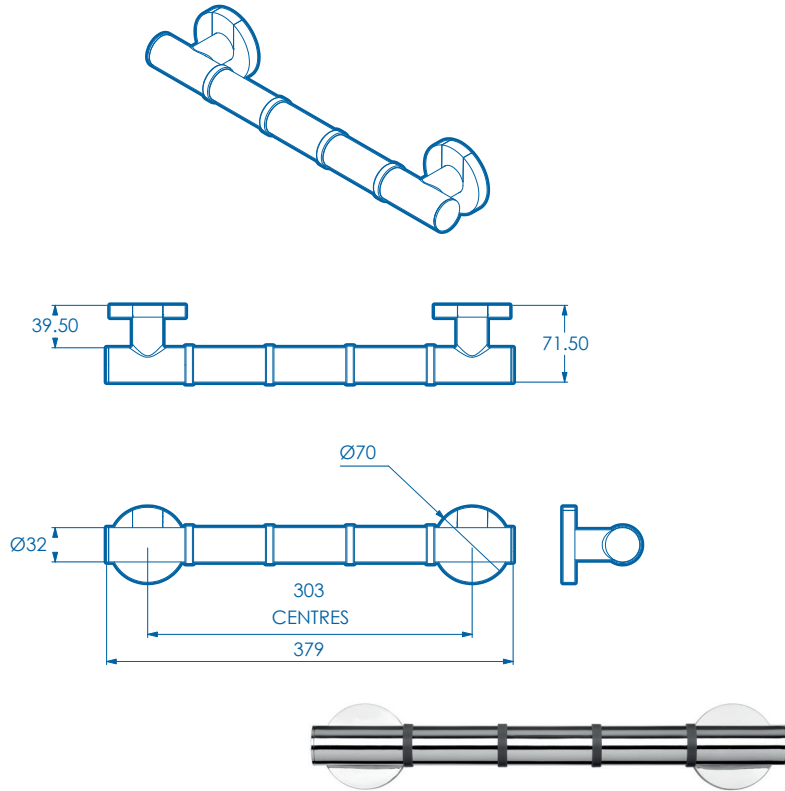


PRODUCT CODE	MATERIAL	DIMENSIONS (LxW)	PRICE
AP506405	Chrome Plated Stainless Steel	600x49mm	£33.33

# Grab 'n' Grip Grab Bars

## 380mm GRAB'N'GRIP STRAIGHT GRAB BAR

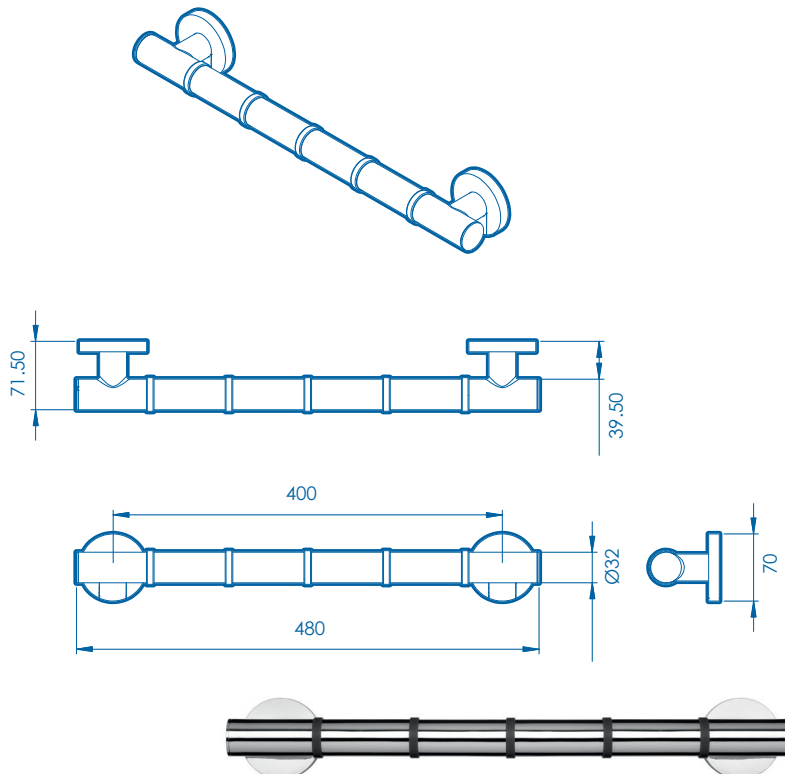
- Contemporary grab bar design
- Soft ribbed grip provides additional comfort and support that prevents wet hands slipping on the rail
- Chrome ABS outer
- Steel core for added strength
- 32mm Diameter bar for easier gripping
- Provides confidence and stability
- Concealed fixings
- Suitable for users of up to 100kg/220lbs/15st 10lbs when fitted to a solid wall
- Designed to suit 16" or 24" internal stud supports
- Fixings not included



PRODUCT CODE	MATERIAL	DIMENSIONS (LxW)	PRICE
AP530541	Chrome ABS	380x73mm	£32.86

## 485mm GRAB'N'GRIP STRAIGHT GRAB BAR

- Contemporary grab bar design
- Soft ribbed grip provides additional comfort and support that prevents wet hands slipping on the rail
- Chrome ABS outer
- Steel core for added strength
- 32mm Diameter bar for easier gripping
- Provides confidence and stability
- Concealed fixings
- Suitable for users of up to 100kg/220lbs/15st 10lbs when fitted to a solid wall
- Designed to suit 16" or 24" internal stud supports
- Fixings not included



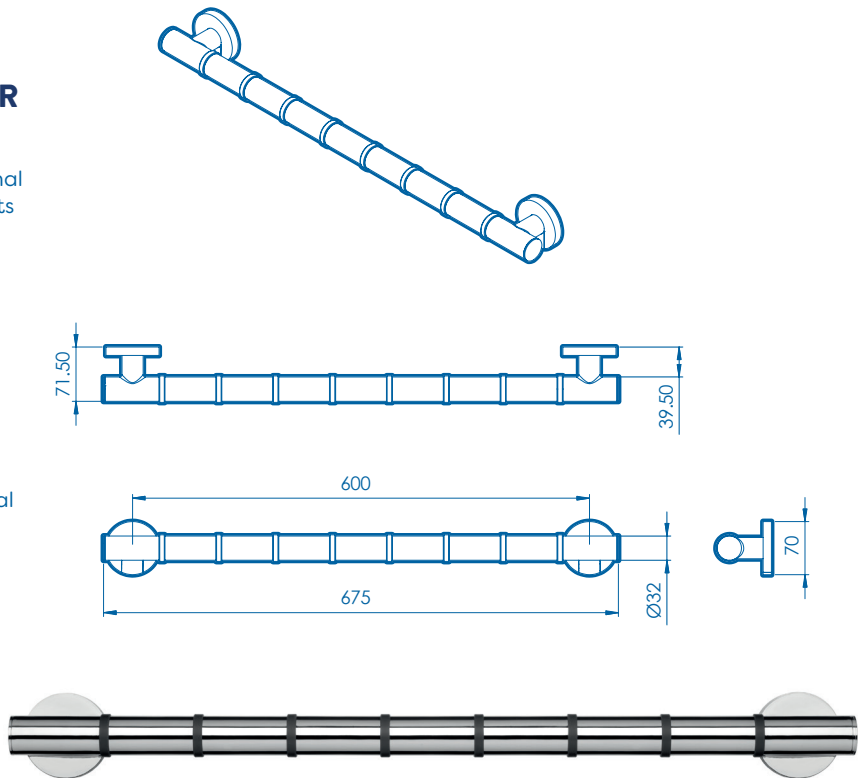
PRODUCT CODE	MATERIAL	DIMENSIONS (LxW)	PRICE
AP530641	Chrome ABS	485x73mm	£42.24



# Grab'n'Grip Grab Bars

## 680mm GRAB'N'GRIP STRAIGHT GRAB BAR

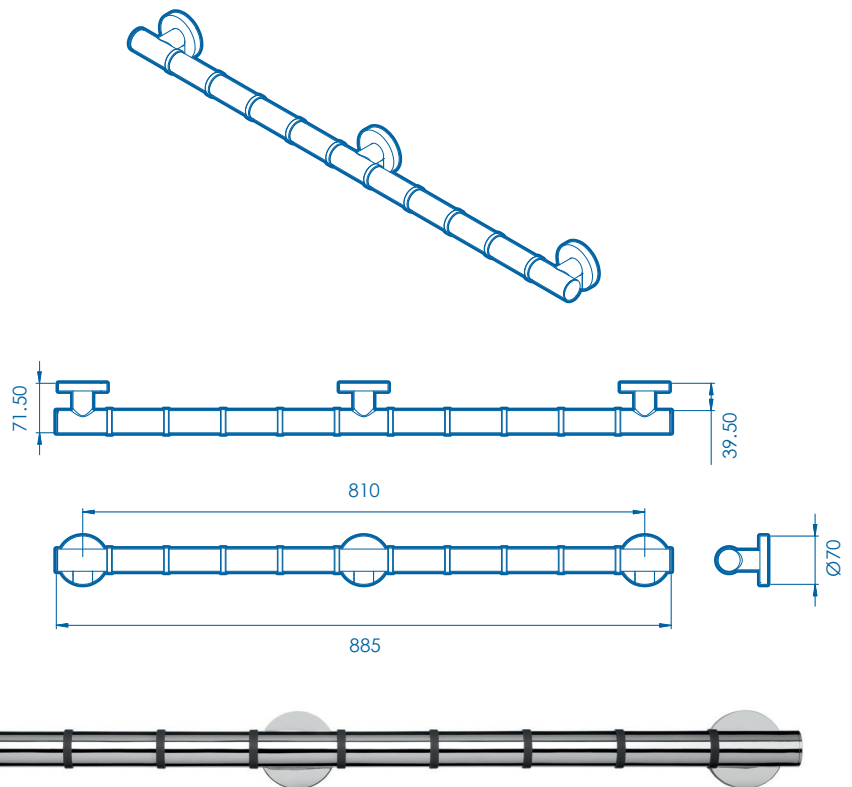
- Contemporary grab bar design
- Soft ribbed grip provides additional comfort and support that prevents wet hands slipping on the rail
- Chrome ABS outer
- Steel core for added strength
- 32mm Diameter bar for easier gripping
- Provides confidence and stability
- Concealed fixings
- Suitable for users of up to 100kg/220lbs/15st 10lbs when fitted to a solid wall
- Designed to suit 16" or 24" internal stud supports
- Fixings not included



PRODUCT CODE	MATERIAL	DIMENSIONS (LxW)	PRICE
AP530741	Chrome ABS	680x73mm	£51.64

## 890mm GRAB'N'GRIP STRAIGHT GRAB BAR

- Contemporary grab bar design
- Soft ribbed grip provides additional comfort and support that prevents wet hands slipping on the rail
- Chrome ABS outer
- Steel core for added strength
- 32mm Diameter bar for easier gripping
- Provides confidence and stability
- Concealed fixings
- Suitable for users of up to 100kg/220lbs/15st 10lbs when fitted to a solid wall
- Designed to suit 16" or 24" internal stud supports
- Fixings not included

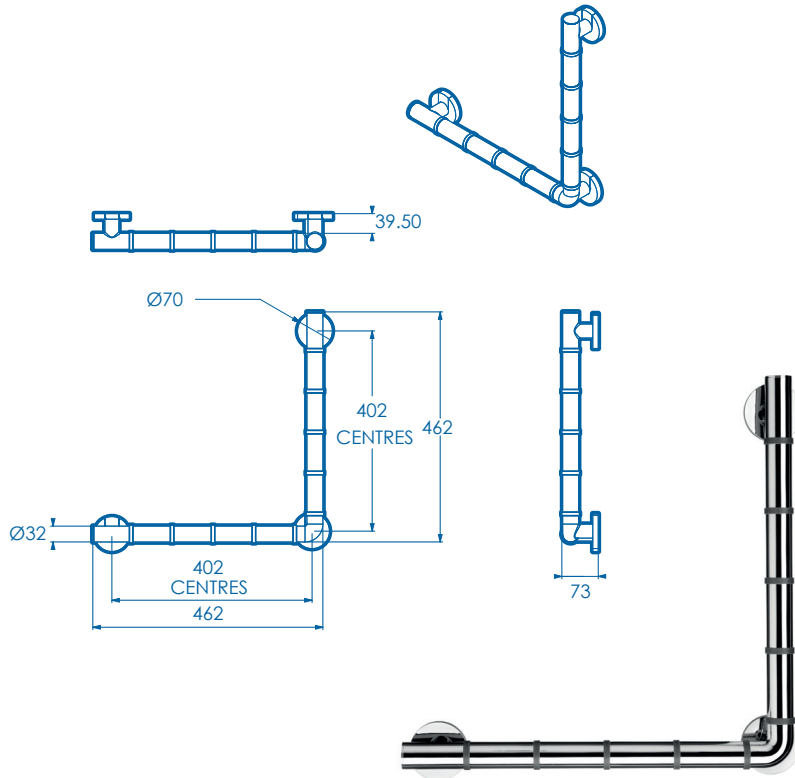


PRODUCT CODE	MATERIAL	DIMENSIONS (LxW)	PRICE
AP530841	Chrome ABS	890x73mm	£93.91

# Grab'n'Grip Grab Bars

## GRAB'N'GRIP L-SHAPED GRAB BAR

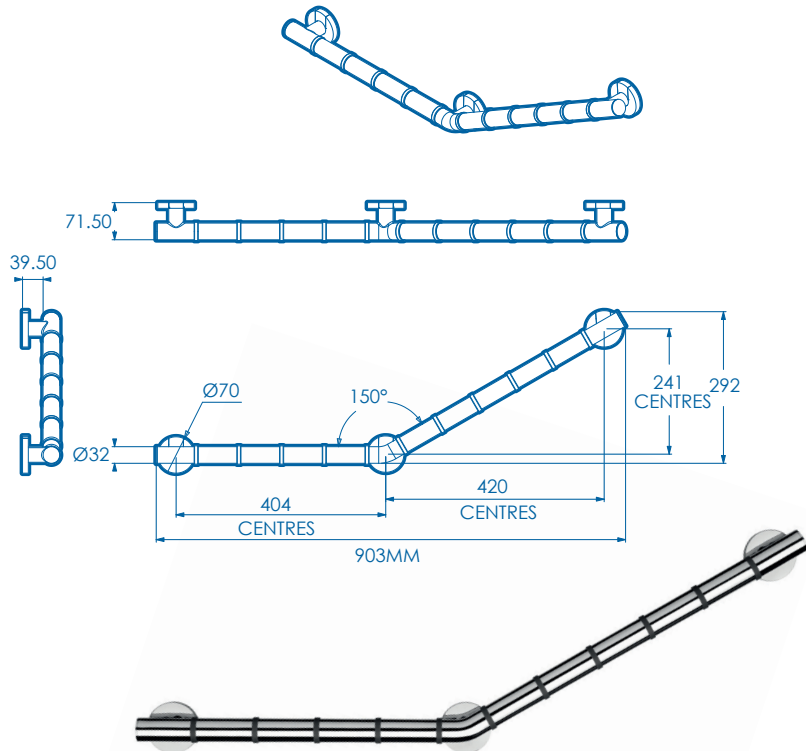
- Contemporary grab bar design
- Soft ribbed grip provides additional comfort and support that prevents wet hands slipping on the rail
- Chrome ABS outer
- Steel core for added strength
- 32mm Diameter bar for easier gripping
- Provides confidence and stability
- Concealed fixings
- Suitable for users of up to 100kg/220lbs/15st 10lbs when fitted to a solid wall
- Designed to suit 16" or 24" internal stud supports
- Fixings not included



PRODUCT CODE	MATERIAL	DIMENSIONS (LxW)	PRICE
AP531041	Chrome ABS	480x480x73mm	£93.91

## GRAB'N'GRIP ANGLED GRAB BAR

- Contemporary grab bar design
- Soft ribbed grip provides additional comfort and support that prevents wet hands slipping on the rail
- Chrome ABS outer
- Steel core for added strength
- 32mm Diameter bar for easier gripping
- Provides confidence and stability
- Concealed fixings
- Suitable for users of up to 100kg/220lbs/15st 10lbs when fitted to a solid wall
- Designed to suit 16" or 24" internal stud supports
- Fixings not included

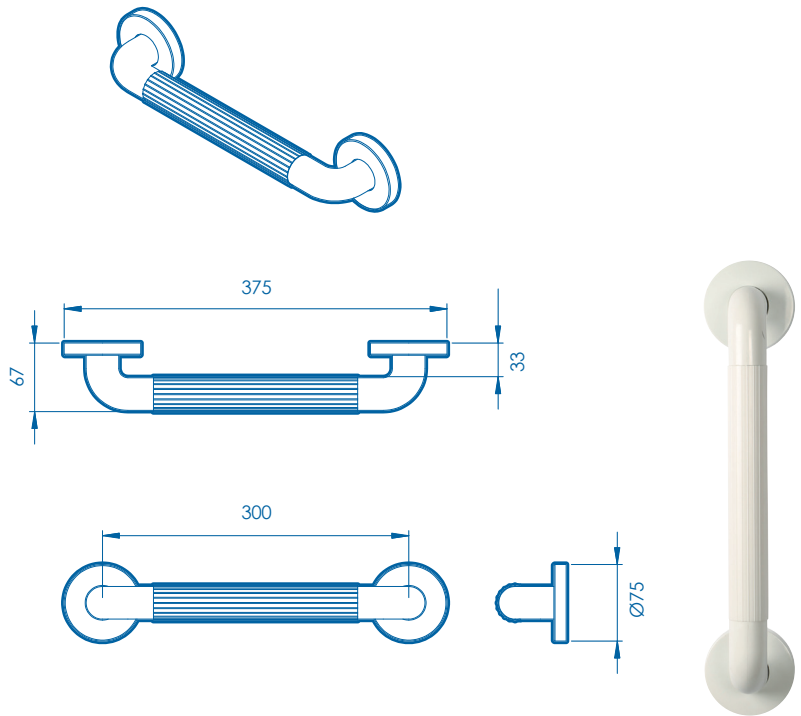


PRODUCT CODE	MATERIAL	DIMENSIONS (HxLxW)	PRICE
AP530941	Chrome ABS	241x903x70mm	£93.91

# ABS Grab Bars

## 300mm ABS GRAB BAR

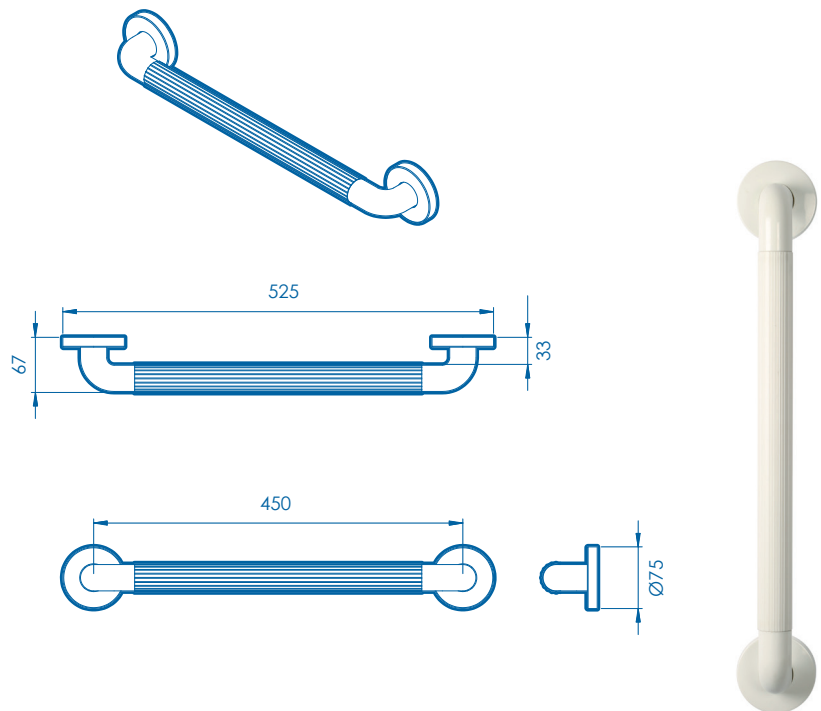
- Ribbed to aid grip of bar
- Concealed fixings
- Suitable for users up to 100kg/ 220lbs/15st 10lbs when fitted to a solid wall
- Fixings not included



PRODUCT CODE	MATERIAL	DIMENSIONS (LxW)	PRICE
AP501422	White ABS	300x67mm	£9.38
AP501434	Blue ABS	300x67mm	£9.38
AP501431	Grey ABS	300x67mm	£9.38

## 450mm ABS GRAB BAR

- Ribbed to aid grip of bar
- Concealed fixings
- Suitable for users up to 100kg/ 220lbs/15st 10lbs when fitted to a solid wall
- Fixings not included

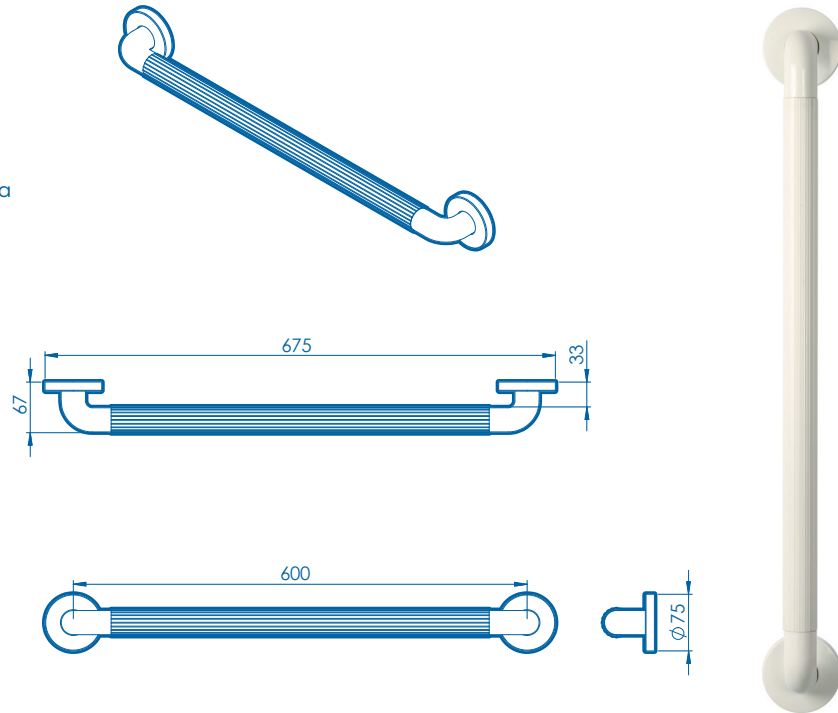


PRODUCT CODE	MATERIAL	DIMENSIONS (LxW)	PRICE
AP501722	White ABS	450x67mm	£11.72
AP501734	Blue ABS	450x67mm	£11.72
AP501731	Grey ABS	450x67mm	£11.72

# ABS Grab Bars

## 600MM ABS GRAB BAR

- Ribbed to aid grip of bar
- Concealed fixings
- Suitable for users up to 100kg/  
220lbs/15st 10lbs when fitted to a  
solid wall
- Fixings not included



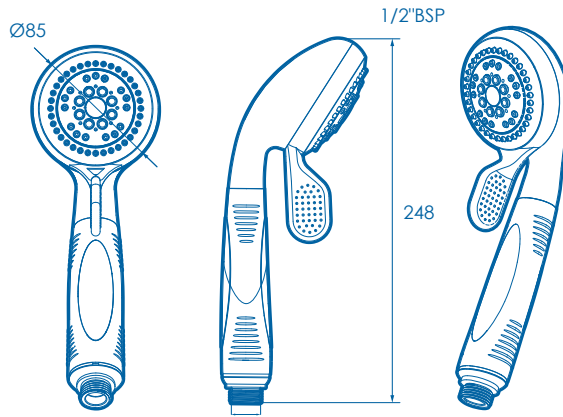
PRODUCT CODE	MATERIAL	DIMENSIONS (LxW)	PRICE
AP501822	White ABS	600x67mm	£14.07
AP501834	Blue ABS	600x67mm	£14.07
AP501831	Grey ABS	600x67mm	£14.07



# Inclusive Products

## INCLUSIVE FOUR FUNCTION SHOWER HANDSET – ECO

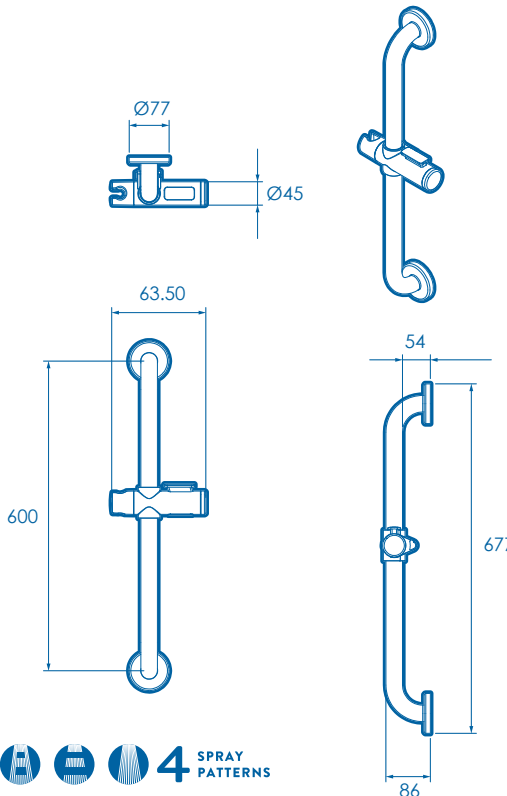
- 85mm Diameter four function handset with rub clean nozzles
- Tactile rubber handle for easier gripping
- Large lever makes switching functions easier
- Optional Eco - feature on shower head - Up to 50% water saving
- Universal 1/2" B.S.P
- Minimum operating pressure from 0.1 bar (flow regulators not fitted)



PRODUCT CODE	MATERIAL	DIMENSIONS (LxW)	PRICE
AM151341	Chrome/White	85x248mm	£23.47

## INCLUSIVE SHOWER KIT

- A complete inclusive showering kit
- 600mm Chrome plated stainless steel grab bar with concealed fixings
- Inclusive four function chrome handset with rub clean nozzles
- Large lever makes switching functions easier
- 2000mm Chrome hose
- Inclusive slider with large button, easy to use
- Universal 1/2" B.S.P
- Fixings not included
- Minimum operating pressure from 0.1 bar (flow regulators not fitted)



PRODUCT CODE	MATERIAL	DIMENSIONS (LxW)	PRICE
AP600241	Stainless steel	600x63.50mm	£70.42

# In Bath Mats

## SMALL RUBAGRIP MAT

- . Treated with Hygiene'n'Clean anti-microbial additive
- . Made from natural rubber
- . Machine washable
- . Slip-resistant
- . May not be suitable for latex allergy sufferers



PRODUCT CODE	MATERIAL	DIMENSIONS (HxW)	PRICE
AG181122	White	580x340mm	£7.50

## MEDIUM RUBAGRIP MAT

- . Treated with Hygiene'n'Clean anti-microbial additive
- . Made from natural rubber
- . Machine washable
- . Slip-resistant
- . May not be suitable for latex allergy sufferers



PRODUCT CODE	MATERIAL	DIMENSIONS (HxW)	PRICE
AG181422	White	740x340mm	£7.97

## LARGE RUBAGRIP MAT

- . Treated with Hygiene'n'Clean anti-microbial additive
- . Made from natural rubber
- . Machine washable
- . Slip-resistant
- . May not be suitable for latex allergy sufferers



PRODUCT CODE	MATERIAL	DIMENSIONS (HxW)	PRICE
AG182622	White	900x370mm	£10.79

# Shower Mats

## WHITE RUBAGRIP SHOWER TRAY MAT

- . Treated with Hygiene'n'Clean anti-microbial additive
- . Made from natural rubber
- . Machine washable
- . Slip-resistant
- . May not be suitable for latex allergy sufferers



PRODUCT CODE	MATERIAL	DIMENSIONS (HxW)	PRICE
AG183622	White	530x530mm	£9.38



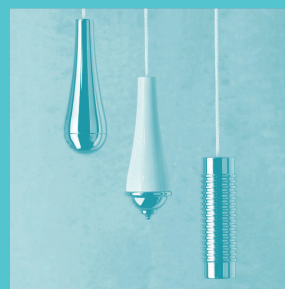
INCLUSIVE PRODUCTS





# Plumbing, Fittings and Homewares

The collection of Croydex Homewares has now been expanded to include plumbing fittings. Products including Flush and Fill Valves and Click Wastes are a welcome addition to the variety of accessories available to your home.



## Plumbing, fittings and homewares

We understand that having quality plumbing and fittings accessories make the job easier and offer long-lasting solutions, which in the long run saves repeat work. All items are made to the highest standard and have passed our strict testing to ensure they are the best solution available. Our flush and fill valves are also our WRAS approved which gives additional piece of mind in the

product you are choosing. Featuring plastic/brass finishes our cistern repair valves are compatible with all systems.

Also featured are also our easy to fit converta plugs which convert existing plugs to a modern waste function. They are easy to fit and require no additional tools making them a simple and quick solution with no need to remove or disconnect your current waste.

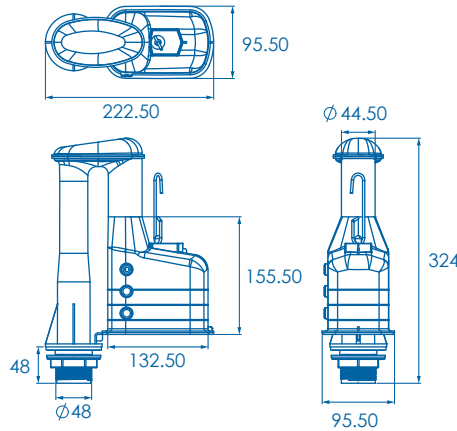
The homeware's featured within this section are polished in design with stainless steel and chrome finishes. All items are designed to bring functionality to the home. From wall mounted bottle openers to pedal bins, toilet brushes to squeegees, these are just some of the additions that should be in every well stocked home.



# Cistern Repair Parts

## CISTERN SYPHON

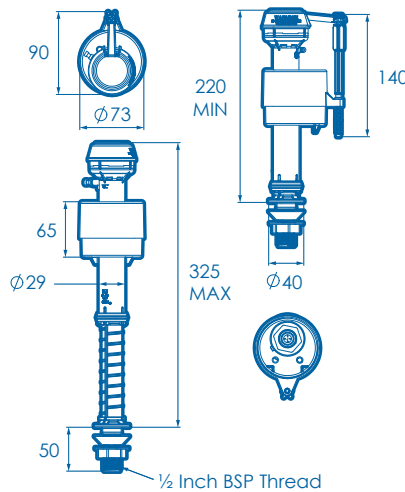
- 9" Syphon suitable for the majority of cisterns
- Complete with link
- Free 5 year guarantee



PRODUCT CODE	MATERIAL	PACKAGING	DIMENSIONS (HxWxD)	PRICE
FF040126	Plastic	Full colour box with euro slot	324x222.5x95.5mm	£8.43

## TELESCOPIC BOTTOM ENTRY FILL VALVE - PLASTIC SHANK

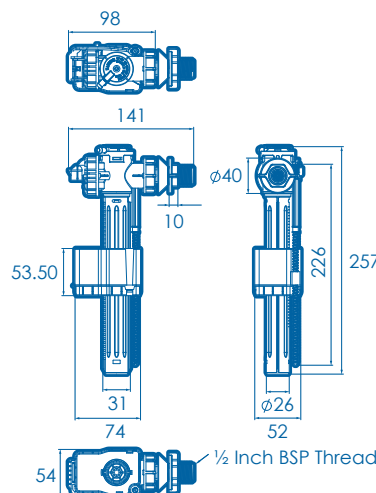
- Easy twist water level adjustment
- Height adjustable to fit any cistern
- Fill valve operating pressure 0.2bar - 5.5bar
- WRAS approved
- Free 5 year guarantee



PRODUCT CODE	MATERIAL	PACKAGING	DIMENSIONS (HxWxD)	PRICE
FF010126	Plastic	Full colour box with euro slot	275-375x90x73mm	£6.56

## SIDE ENTRY FILL VALVE - PLASTIC SHANK

- Easy twist water level adjustment
- Anti syphon prevents back flow
- Fill valve operating pressure 0.2bar - 5.5bar
- WRAS approved
- Free 5 year guarantee

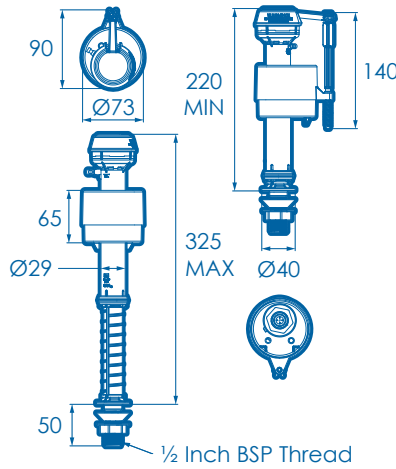


PRODUCT CODE	MATERIAL	PACKAGING	DIMENSIONS (HxWxD)	PRICE
FF010226	Plastic	Full colour box with euro slot	257x141x54mm	£6.09

# Cistern Repair Parts

## TELESCOPIC BOTTOM ENTRY FILL VALVE – BRASS SHANK

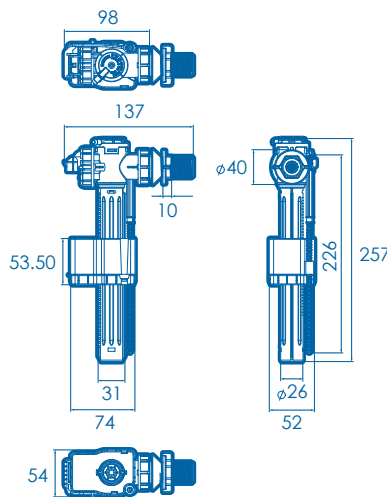
- Easy twist water level adjustment
- Height adjustable to fit any cistern
- Fill valve operating pressure 0.2bar – 5.5bar
- WRAS approved
- Free 5 year guarantee



PRODUCT CODE	MATERIAL	PACKAGING	DIMENSIONS (HxWxD)	PRICE
FF010326	Brass	Full colour box with euro slot	275-375x90x73mm	£9.37

## SIDE ENTRY FILL VALVE – BRASS SHANK

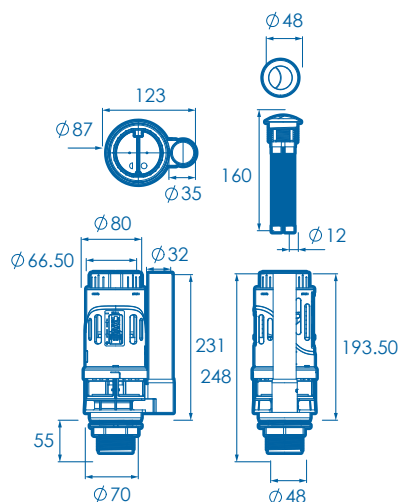
- Easy twist water level adjustment
- Anti syphon prevents back flow
- Fill valve operating pressure 0.2bar – 5.5bar
- WRAS approved
- Free 5 year guarantee



PRODUCT CODE	MATERIAL	PACKAGING	DIMENSIONS (HxWxD)	PRICE
FF010426	Brass	Full colour box with euro slot	257x137x54mm	£8.90

## UNIVERSAL FLUSH VALVE TOP MOUNT BUTTON

- Wide range of water level adjustment
- Universal fitting – rubber adaptor for 1 1/2" or 2" installations – Long 110mm push button rods can be cut to height
- Soft activation button
- WRAS approved
- Free 5 year guarantee

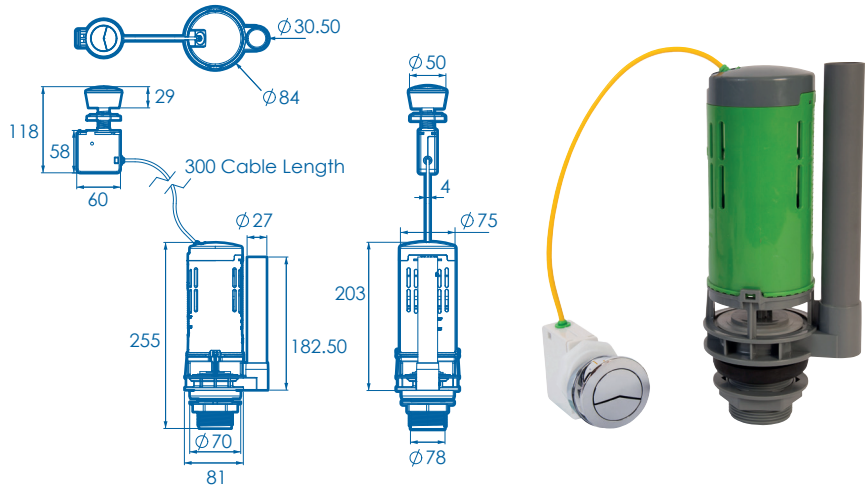


PRODUCT CODE	MATERIAL	PACKAGING	DIMENSIONS (HxWxD)	PRICE
FF020226	Plastic	Full colour box with euro slot	286x123x80mm	£13.13

# Cistern Repair Parts

## UNIVERSAL FLUSH VALVE BUTTON CABLE

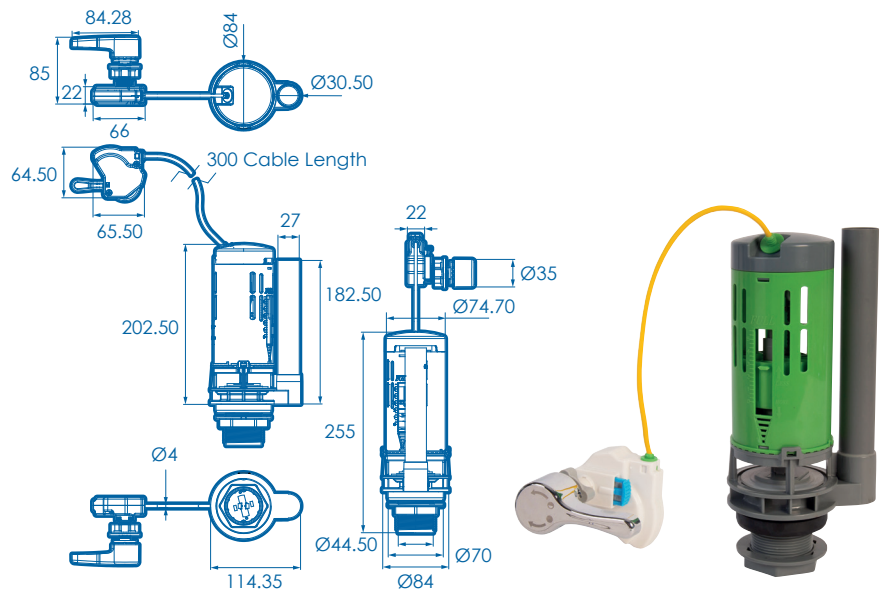
- Wide range of water level adjustment
- Universal fitting - rubber adaptor for 1 1/2" or 2" installations - Long 110mm push button rods can be cut to height
- Soft activation button
- WRAS approved
- Free 5 year guarantee



PRODUCT CODE	MATERIAL	PACKAGING	DIMENSIONS (HxWxD)	PRICE
FF020126	Plastic	Full colour box with euro slot	255x110x78mm	£12.19

## UNIVERSAL FLUSH VALVE LEVER CABLE

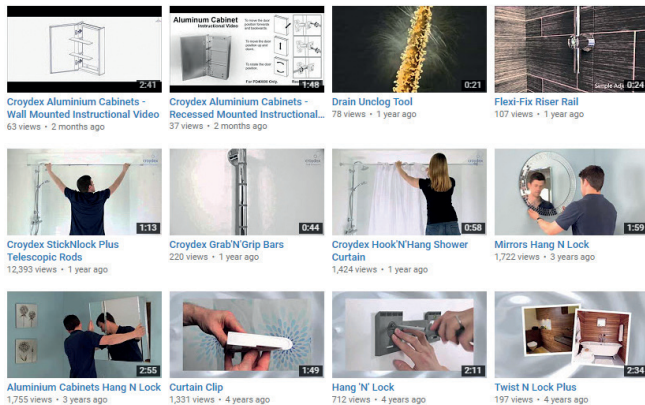
- Wide range of water level adjustment
- Universal fitting - rubber adaptor for 1 1/2" or 2" installations - Long 110mm push button rods can be cut to height pressure 0.2bar - 5.5bar
- Soft activation button
- WRAS approved
- Free 5 year guarantee



PRODUCT CODE	MATERIAL	PACKAGING	DIMENSIONS (HxWxD)	PRICE
FF020326	Plastic	Full colour box with euro slot	255x114.35x84mm	£13.13

### SEE OUR DEMONSTRATION

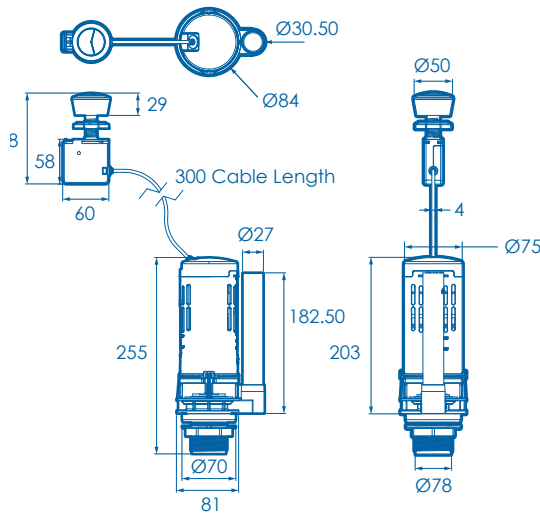
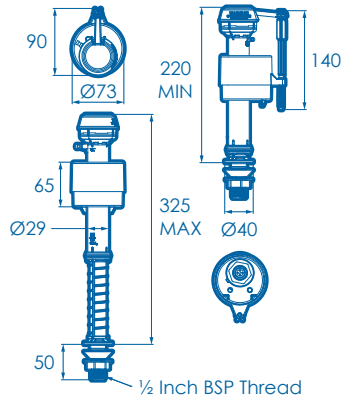
Videos online at [www.croydex.com](http://www.croydex.com) or scan the QR code below



# Cistern Repair Parts

## UNIVERSAL FLUSH AND FILL VALVE BUTTON CABLE KIT

- Includes all components and fixings to replace your cistern internals
- Includes bottom entry valve (FF010326) and cable operated button flush valve (FF020126)
- Flush and fill valve WRAS approved
- Free 5 year guarantee



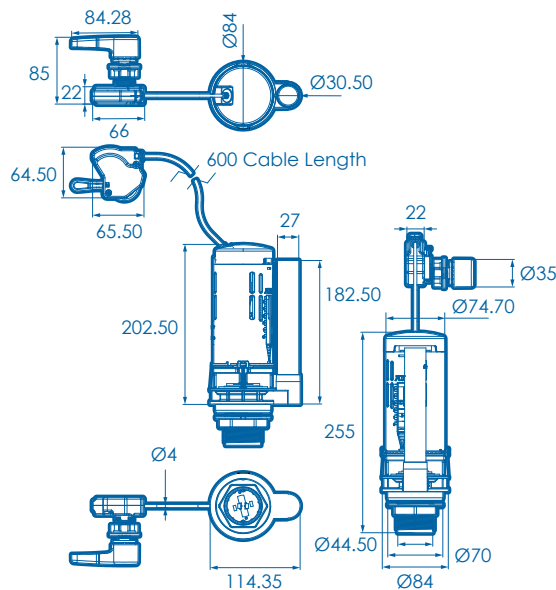
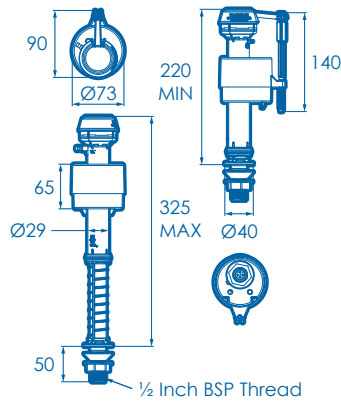
PRODUCT CODE	MATERIAL	PACKAGING	DIMENSIONS (HxWxD)	PRICE
FF030126	Plastic/Brass	Full colour box with euro slot	FF010326 - 275-375x90x73mm	£24.40
	Plastic		FF020126 - 255x110x78mm	



# Cistern Repair Parts

## UNIVERSAL FLUSH AND FILL VALVE LEVER CABLE KIT

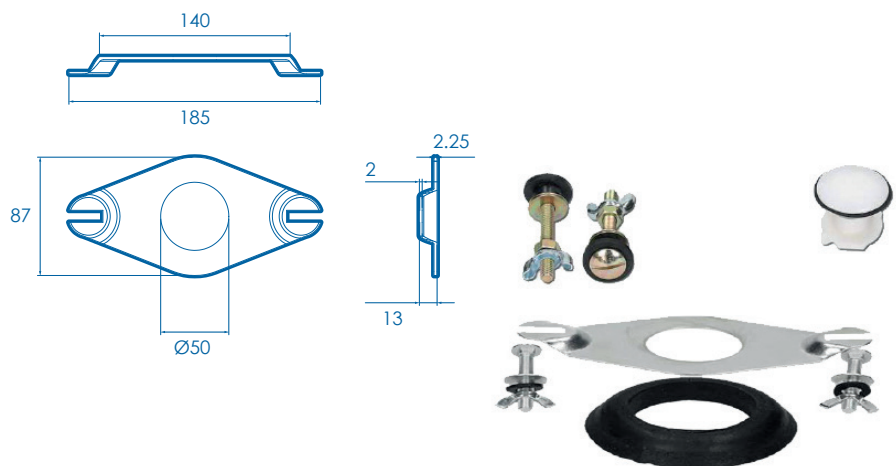
- Includes all components and fixings to replace your cistern internals
- Includes bottom entry valve (FF010326) and cable operated lever flush valve (FF020326)
- Flush and fill valve WRAS approved
- Free 5 year guarantee



PRODUCT CODE	MATERIAL	PACKAGING	DIMENSIONS (HxWxD)	PRICE
FF030226	Plastic	Full colour box with euro slot	FF010326 - 275-375x90x73mm	£25.34
	Plastic/Brass		FF020326 - 255x114.35x84mm	

## UNIVERSAL FLUSH VALVE FIXING KIT

- Pair of fixing bolts for close coupled cisterns with holes
- Pair of fixing bolts for close coupled cisterns with no holes
- Close coupling plate for close coupled cistern with no holes
- Overflow bung
- Universal doughnut washer

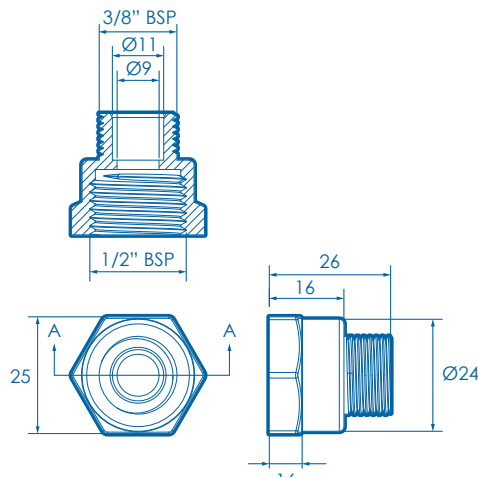


PRODUCT CODE	MATERIAL	PACKAGING	DIMENSIONS (HxWxD)	PRICE
FF050100	Rubber/Brass/Plastic	Full colour box with euro slot	See individual drawings	£6.56

# Cistern Repair Parts

## BRASS 1/2" FEMALE TO 3/8" MALE ADAPTER FOR INLET VALVES

• Use to convert 1/2" connections to 3/8"



PRODUCT CODE	MATERIAL	PACKAGING	DIMENSIONS (HxW)	PRICE
FF050202	Brass	Full colour box with euro slot	26x25mm	£2.80

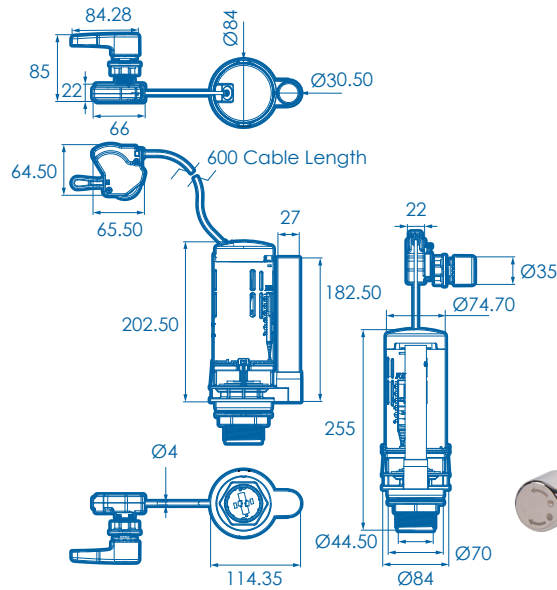




# Cistern Repair Parts

## UNIVERSAL FLUSH VALVE LEVER 600mm CABLE KIT

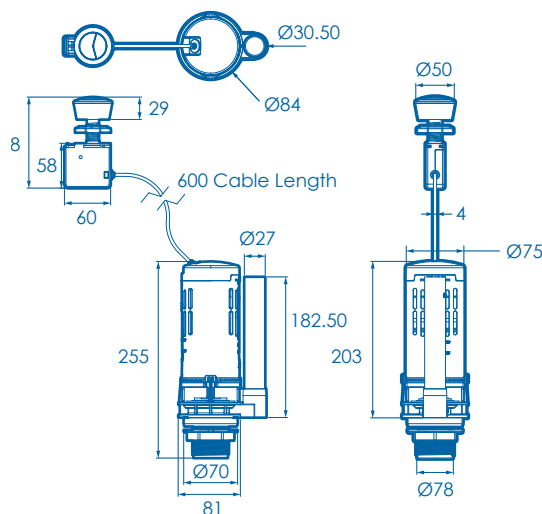
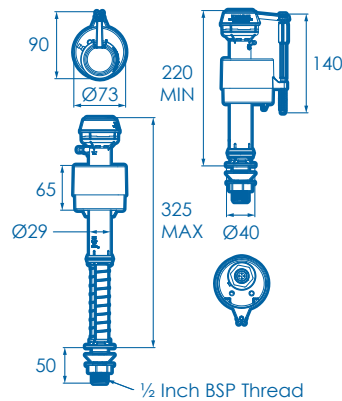
- Wide range of water level adjustment
- Universal fitting - rubber adaptor for 1 1/2" or 2" installations - 600mm Cable operation for flexible lever position
- Soft activation button
- Free 5 year guarantee



PRODUCT CODE	MATERIAL	PACKAGING	DIMENSIONS (HxWxD)	PRICE
FF020526	Plastic	Full colour box with euro slot	255x114.35x84mm	£16.88

## UNIVERSAL FLUSH VALVE BUTTON 600mm CABLE KIT

- Includes all components and fixings to replace your cistern internals
- Includes bottom entry valve (FF010326) and cable operated button flush valve (FF020126)
- Free 5 year guarantee

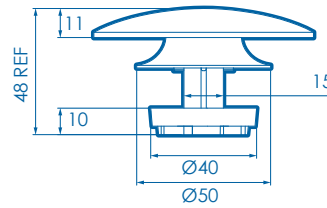


PRODUCT CODE	MATERIAL	PACKAGING	DIMENSIONS (HxWxD)	PRICE
FF020426	Plastic/Brass	Full colour box with euro slot	255x81x78mm	£15.94

# Converta Plug

## STANDARD BATH PLUG CONVERTA

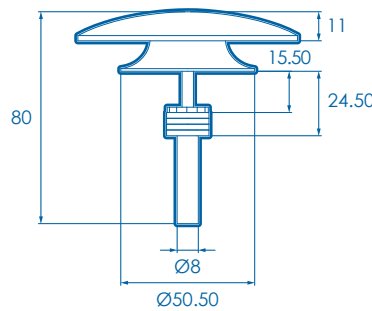
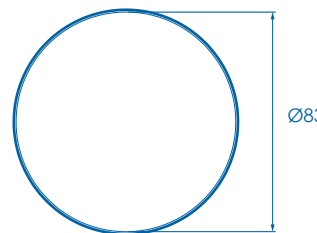
- Converts existing plugs to a modern waste
- Wide range of water level adjustment
- No need to remove or disconnect your current waste
- Easy fit – no tools required
- Supplied with a range of adapters to suit most wastes
- Chrome plated ABS cover



PRODUCT CODE	MATERIAL	PACKAGING	DIMENSIONS (HxW)	PRICE
DG400441	Chrome Plated ABS	Full colour box with euro slot	48x83mm	£12.19

## POP UP BATH PLUG CONVERTA

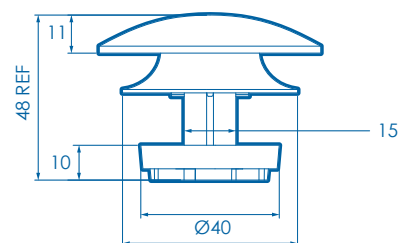
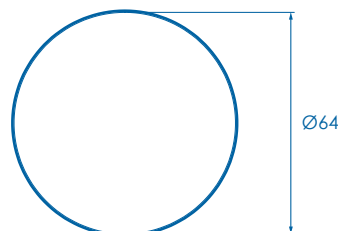
- Converts existing plugs to a modern waste
- Upgrade your pop up plug to a push click plug
- No need to remove or disconnect your current waste
- Easy fit – no tools required
- Supplied with a range of adapters to suit most wastes.
- Chrome plated ABS cover



PRODUCT CODE	MATERIAL	PACKAGING	DIMENSIONS (HxW)	PRICE
DG400241	Chrome Plated ABS	Full colour box with euro slot	80x83mm	£12.19

## STANDARD BASIN PLUG CONVERTA

- Converts existing plugs to a modern waste
- Upgrade your plug and chain to a push click plug
- No need to remove or disconnect your current waste
- Easy fit – no tools required
- Supplied with a range of adapters to suit most wastes
- Chrome plated ABS cover

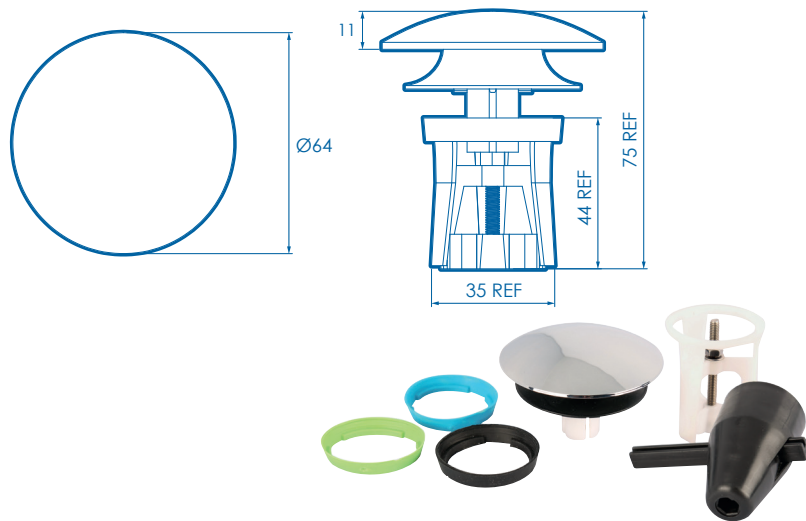


PRODUCT CODE	MATERIAL	PACKAGING	DIMENSIONS (HxW)	PRICE
DG400341	Chrome Plated ABS	Full colour box with euro slot	48x64mm	£8.43

# Bathroom Accessories

## POP UP BASIN PLUG CONVERTA

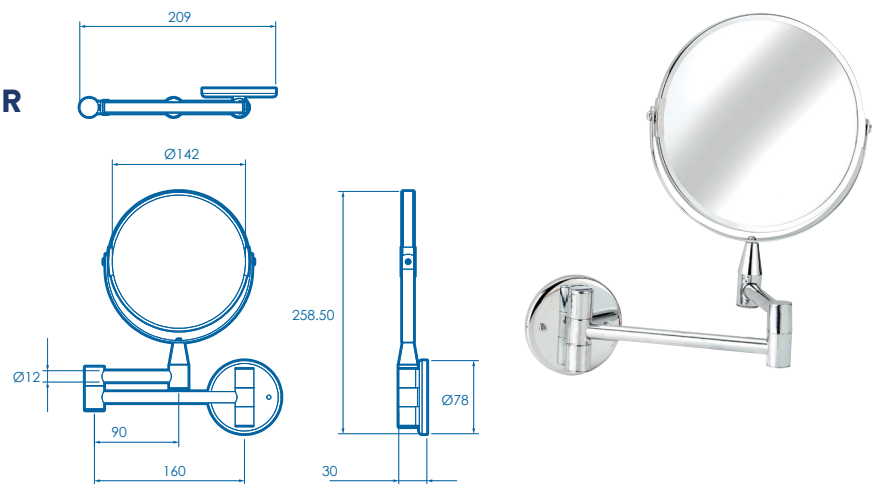
- Converts existing plugs to a modern waste.
- Upgrade your pop up plug to a push click plug
- No need to remove or disconnect your current waste
- Easy fit – no tools required
- Supplied with a range of adapters to suit most wastes
- Chrome plated ABS cover



PRODUCT CODE	MATERIAL	PACKAGING	DIMENSIONS (HxW)	PRICE
QA103041	Chrome Plated ABS	Full colour box with euro slot	75x64mm	£8.43

## BRITANNIA SMALL ROUND MAGNIFYING MIRROR

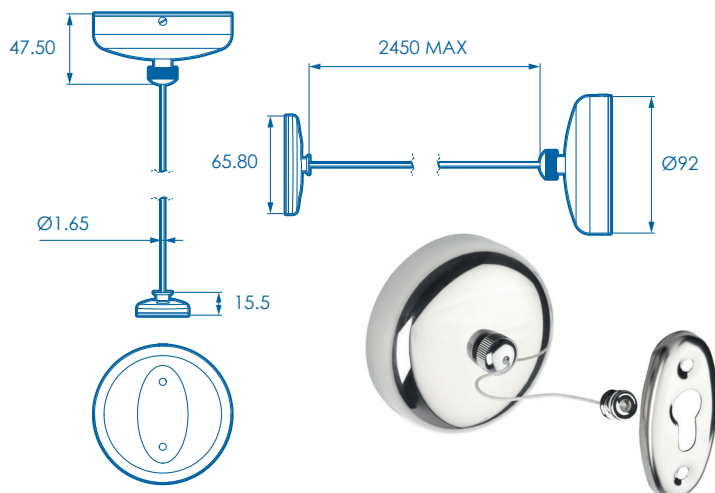
- 2 x Magnification mirror
- Adjustable arm and mirror tilt function allows greater flexibility
- 150mm diameter
- All fixings included



PRODUCT CODE	MATERIAL	PACKAGING	DIMENSIONS (HxWxD)	PRICE
QA103041	Mirror glass	White box with black and white label	258.5x209x30mm	£15.96

## BRITANNIA RETRACTABLE CLOTHES LINE

- Stainless steel construction
- Handy for drying clothes in the bathroom
- 2450mm cord length
- All fixings included

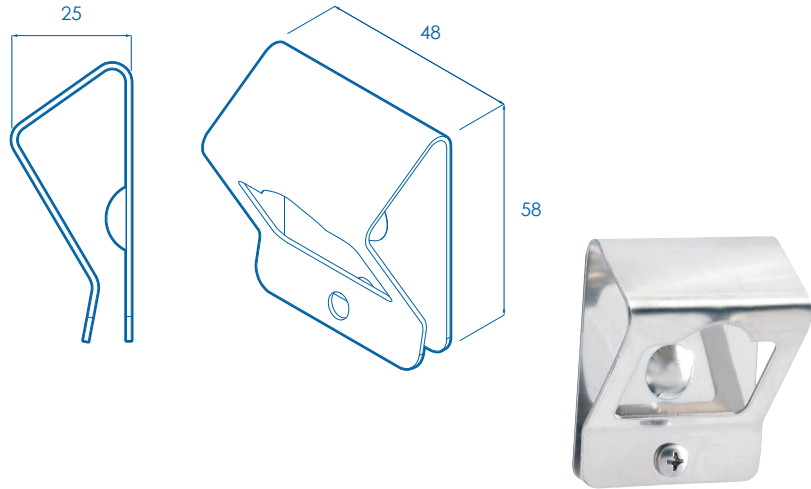


PRODUCT CODE	MATERIAL	PACKAGING	DIMENSIONS (HxWxD)	PRICE
QA108641	Stainless Steel	White box with black and white label	92x92x47.5mm	£15.96

# Bathroom Accessories

## BRITANNIA WALL MOUNTED BOTTLE OPENER

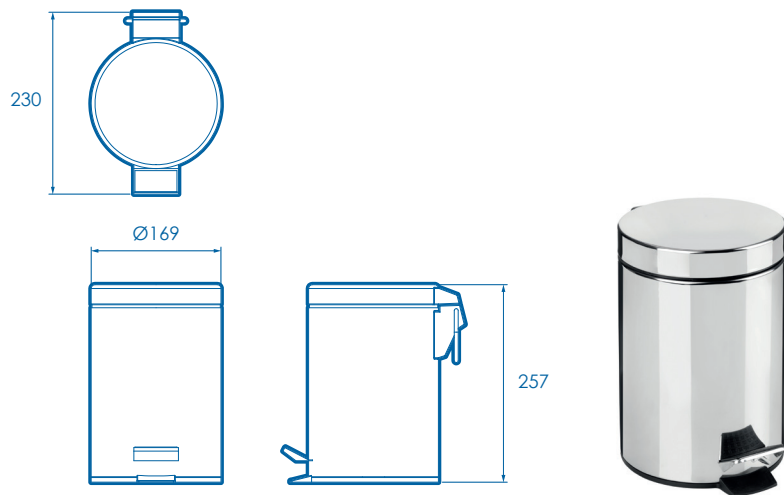
- Stainless steel construction
- Handy accessory for the kitchen
- Makes opening bottles easy
- All fixings included



PRODUCT CODE	MATERIAL	PACKAGING	DIMENSIONS (HxWxD)	PRICE
QM588541	Stainless Steel	Full colour box	58x48x25mm	£6.57

## THREE LITRE PEDAL BIN WITH SOFT CLOSE

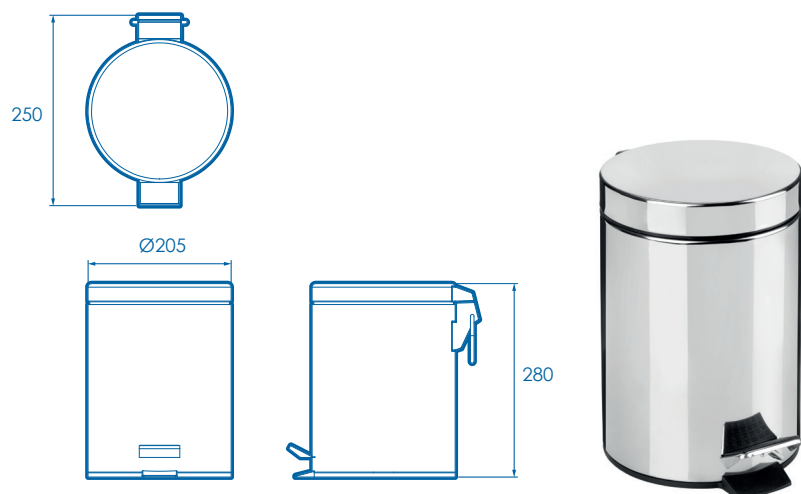
- Three litre capacity
- Change to Soft close pedal operation for ease of use
- Removable polypropylene inner bin with carry handle for easy emptying
- Stainless steel with a chrome plated finish
- Easy to clean



PRODUCT CODE	MATERIAL	PACKAGING	DIMENSIONS (HxWxD)	PRICE
AJ657241	Stainless Steel/Chrome	Box with colour label	250x169x230mm	£16.88

## FIVE LITRE PEDAL BIN WITH SOFT CLOSE

- Five litre capacity
- Change to Soft close pedal operation for ease of use
- Removable polypropylene inner bin with carry handle for easy emptying
- Stainless steel with a chrome plated finish
- Easy to clean

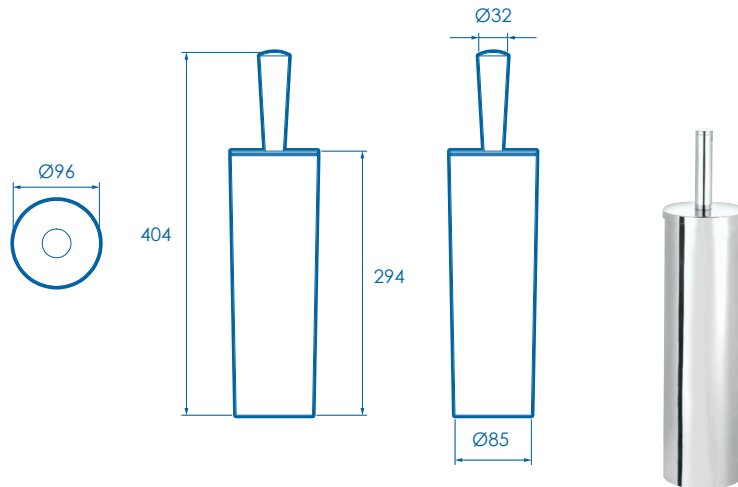


PRODUCT CODE	MATERIAL	PACKAGING	DIMENSIONS (HxWxD)	PRICE
AJ657341	Stainless Steel/Chrome	Box with colour label	280x205x250mm	£20.65

# Bathroom Accessories

## BRITANNIA TOILET BRUSH

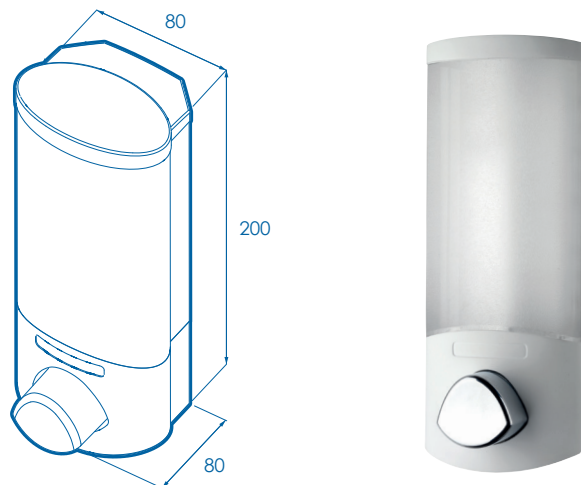
- Stainless steel toilet brush with polished finish
- Classic design to suit any bathroom
- Freestanding
- Simple modern design complements any bathroom



PRODUCT CODE	MATERIAL	PACKAGING	DIMENSIONS (HxWxD)	PRICE
QM102005	Stainless Steel	Box with colour label	406x96x96mm	£25.34

## EURO DISPENSER UNO WHITE

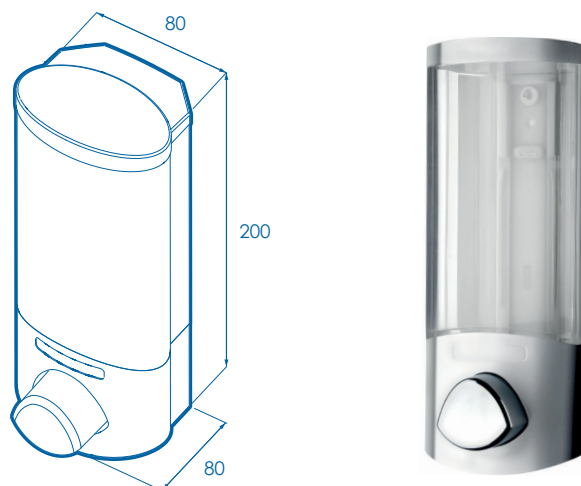
- Eliminates clutter from the bathroom
- The pump pre-measures the right amount of liquid helping to avoid waste
- Fits in the corner or flat against the wall
- Lifts off wall bracket for easy filling
- Easy to fit on any surface



PRODUCT CODE	MATERIAL	PACKAGING	DIMENSIONS (HxWxD)	PRICE
PA660522	White Plastic	Full colour card with euro slot	200x80x80mm	£14.07

## EURO DISPENSER UNO CHROME

- Eliminates clutter from the bathroom
- The pump pre-measures the right amount of liquid helping to avoid waste
- Fits in the corner or flat against the wall
- Lifts off wall bracket for easy filling
- Easy to fit on any surface

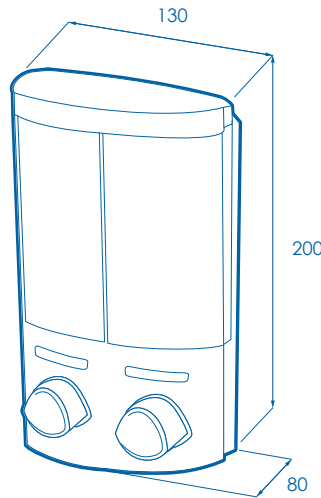


PRODUCT CODE	MATERIAL	PACKAGING	DIMENSIONS (HxWxD)	PRICE
PA660841	Chrome Plated Plastic	Full colour card with euro slot	200x80x80mm	£17.83

# Bathroom Accessories

## EURO DISPENSER DUO WHITE

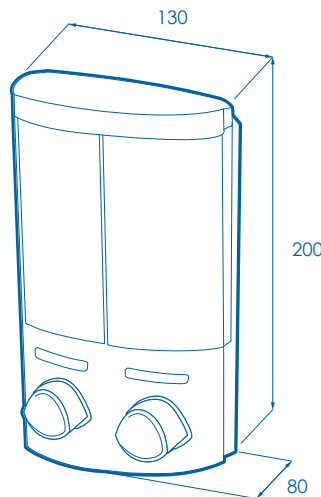
- Eliminates clutter from the bathroom
- The pump pre-measures the right amount of liquid helping to avoid waste
- Fits in the corner or flat against the wall
- Lifts off wall bracket for easy filling
- Easy to fit on any surface



PRODUCT CODE	MATERIAL	PACKAGING	DIMENSIONS (HxWxD)	PRICE
PA660622	White plastic	Full colour card with euro slot	200x130x80mm	£16.88

## EURO DISPENSER DUO CHROME

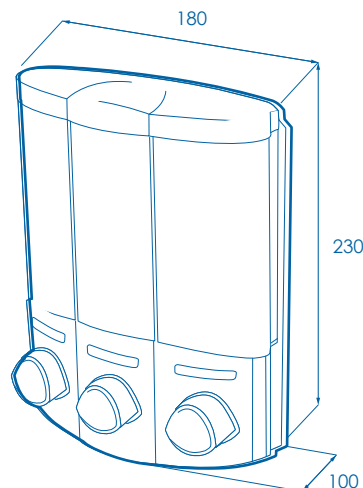
- Eliminates clutter from the bathroom
- The pump pre-measures the right amount of liquid helping to avoid waste
- Fits in the corner or flat against the wall
- Lifts off wall bracket for easy filling
- Easy to fit on any surface



PRODUCT CODE	MATERIAL	PACKAGING	DIMENSIONS (HxWxD)	PRICE
PA660941	Chrome plated plastic	Full colour card with euro slot	200x130x80mm	£22.52

## EURO DISPENSER TRIO WHITE

- Eliminates clutter from the bathroom
- The pump pre-measures the right amount of liquid helping to avoid waste
- Fits in the corner or flat against the wall
- Lifts off wall bracket for easy filling
- Easy to fit on any surface

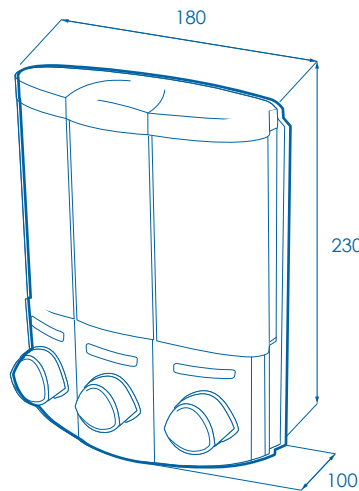


PRODUCT CODE	MATERIAL	PACKAGING	DIMENSIONS (HxWxD)	PRICE
PA660722	Chrome plated plastic	Full colour card with euro slot	230x180x100mm	£21.58

## Bathroom Accessories

### EURO DISPENSER TRIO CHROME

- Eliminates clutter from the bathroom
- The pump pre-measures the right amount of liquid helping to avoid waste
- Fits in the corner or flat against the wall
- Lifts off wall bracket for easy filling
- Easy to fit on any surface



PRODUCT CODE	MATERIAL	PACKAGING	DIMENSIONS (HxWxD)	PRICE
PA661041	Chrome Plated Plastic	Full colour card with euro slot	230x180x100mm	£27.22



## QUICK REFERENCE SUMMARY PAGES – RODS AND RAILS

CODE	PAGE NO.	PRODUCT NAME	PRICE	FINISH	LENGTH	TUBE	HOOKS INCLUDED	FIXINGS INCLUDED	STICK 'N' LOCK	WAYS TO FIT	CEILING SUPPORTS
AD118922	13	Modular Rod	£26.11	White	900 - 1760mm	22mm	No	Yes	No	4	No
AD116541	13	Luxury Round Rod	£32.86	Chrome	Maximum 2500mm	22mm	Yes	No	No	1	No
AD116441	13	Luxury Square Rod	£37.56	Chrome	Maximum 2500mm	22mm	Yes	No	No	1	No
AD107041	14	Wireline	£18.77	Chrome	Maximum 3000mm	2mm	Yes	No	No	1	No
AD108541	14	Premium Telescopic Curved Rod	£36.61	Chrome	Rod extends from 1080mm to 1850mm	25mm	No	Yes	No	1	No
AD100122	15	SNL Shower Cubicle Telescopic Rod	£15.48	White	700 - 1220mm	22mm	No	n/a	Yes	1	No
AD100100	15	SNL Shower Cubicle Telescopic Rod	£15.95	Chrome	700 - 1220mm	22mm	No	n/a	Yes	1	No
AD101122	16	SNL 6ft. Telescopic Rod	£19.23	White	1100 - 1830mm	22mm	No	n/a	Yes	1	No
AD101100	16	SNL 6ft. Telescopic Rod	£19.70	Chrome	1100 - 1830mm	22mm	No	n/a	Yes	1	No
AD102122	16	SNL 8ft 6in Telescopic Rod	£21.11	White	1100 - 2600mm	22mm	No	n/a	Yes	1	No
AD102100	16	SNL 8ft 6in Telescopic Rod	£21.58	Chrome	1100 - 2600mm	22mm	No	n/a	Yes	1	No
AD101022	17	6ft Self Supporting Telescopic Rod	£18.29	White	1100 - 1830mm	22mm	No	n/a	No	1	No
AD101000	17	6ft Self Supporting Telescopic Rod	£18.77	Chrome	1100 - 1830mm	22mm	No	n/a	No	1	No
AD102022	17	8ft 6in Self Supporting Telescopic Rod	£20.18	White	1100 - 2600mm	22mm	No	n/a	No	1	No
AD102000	17	8ft 6in Self Supporting Telescopic Rod	£20.65	Chrome	1100 - 2600mm	22mm	No	n/a	No	1	No
GP88900	18	Heavy Duty Telescopic Tension Rod	£19.24	Silver	600 - 900mm	24mm	No	n/a	No	1	No
GP88901	18	Heavy Duty Telescopic Tension Rod	£19.24	White	600 - 900mm	24mm	No	n/a	No	1	No
GP89001	18	Heavy Duty Telescopic Tension Rod	£25.81	White	1100 - 1950mm	24mm	No	n/a	No	1	No
GP89000	18	Heavy Duty Telescopic Tension Rod	£28.81	Silver	1100 - 1950mm	24mm	No	n/a	No	1	No
GP89500	18	Premier Shower Curtain Rod (Straight)	£42.24	Chrome	2000mm	25mm	No	Yes	No	1	No
AD149641	19	Premier Shower Curtain Rod (Large L-Shaped)	£65.73	Chrome	2000 x 1000mm	25mm	Yes	Yes	No	1	Yes - 1 Support
AD179441	19	Space Saver Rod	£56.33	Chrome	1880mm	25mm	No	Yes	No	1	No
GP87001	20	Slenderline	£51.64	White	676 - 1800mm	24 x 14mm	Yes	Yes	No	4	Yes - 1 Support
GP87000	20	Slenderline	£53.05	Silver	676 - 1800mm	24 x 14mm	Yes	Yes	No	4	Yes - 1 Support
AD200541	20	Slenderline	£59.15	Chrome	676 - 1800mm	24 x 14mm	Yes	Yes	No	4	Yes - 1 Support
GP78001	20	Bendy Rail	£40.37	White	2000mm	32 x 14mm	Yes	Yes	No	1	Yes - 1 Support
GP78201	20	Bendy Rail	£56.33	White	3000mm	32 x 14mm	Yes	Yes	No	1	Yes - 1 Support
GP78101	20	Bendy Rail	£46.94	White	2500mm	32 x 14mm	Yes	Yes	No	1	Yes - 1 Support
AD200641	20	Bendy Rail	£62.92	Chrome Effect	2500mm	32 x 14mm	Yes	Yes	No	1	Yes - 1 Support
GP78000	20	Bendy Rail	£41.37	Silver	2000mm	32 x 14mm	Yes	Yes	No	1	Yes - 1 Support
GP78100	20	Bendy Rail	£48.35	Silver	2500mm	32 x 14mm	Yes	Yes	No	1	Yes - 1 Support
GP78200	20	Bendy Rail	£57.74	Silver	3000mm	32 x 14mm	Yes	Yes	No	1	Yes - 1 Support
GP85101	21	Profile 800 Straight Rail - 915mm	£17.36	White	915mm	24 x 14mm	Yes	Yes	No	1	No
GP85100	21	Profile 800 Straight Rail - 915mm	£17.83	Silver	915mm	24 x 14mm	Yes	Yes	No	1	No
GP85201	21	Profile 800 Straight Rail - 1830mm	£26.28	White	1830mm	24 x 14mm	Yes	Yes	No	1	No
GP85200	21	Profile 800 Straight Rail - 1830mm	£27.22	Silver	1830mm	24 x 14mm	Yes	Yes	No	1	No
AD200141	21	Profile 800 Straight Rail - 1830mm	£30.04	Chrome	1830mm	24 x 14mm	Yes	Yes	No	1	No
GP85501	22	Profile 800 Straight Rail - 2135mm	£28.16	White	2135mm	24 x 14mm	Yes	Yes	No	1	No



## QUICK REFERENCE SUMMARY PAGES – RODS AND RAILS

CODE	PAGE NO.	PRODUCT NAME	PRICE	FINISH	LENGTH	TUBE	HOOKS INCLUDED	FIXINGS INCLUDED	STICK 'N' LOCK	WAYS TO FIT	CEILING SUPPORTS
GP85300	22	Profile 800 Straight Rail - 2135mm	£29.10	Silver	2135mm	24 x 14mm	Yes	Yes	No	1	No
AD200241	22	Profile 800 Straight Rail - 2135mm	£32.86	Chrome	2135mm	24 x 14mm	Yes	Yes	No	1	No
GP85401	22	Profile 800 Straight Rail - 2440mm	£30.97	White	2440mm	24 x 14mm	Yes	Yes	No	1	No
GP85400	22	Profile 800 Straight Rail - 2440mm	£31.92	Silver	2440mm	24 x 14mm	Yes	Yes	No	1	No
GP86101	23	Profile 800 U-Shaped Rail - 915mm	£54.46	White	915mm	24 x 14mm	Yes	Yes	No	1	Yes - 2 Supports
GP86100	23	Profile 800 U-Shaped Rail - 915mm	£55.87	Silver	915mm	24 x 14mm	Yes	Yes	No	1	Yes - 2 Supports
GP86201	23	Profile 800 U-Shaped Rail - 760mm	£56.33	White	760x1675x760mm	24 x 14mm	Yes	Yes	No	1	Yes - 2 Supports
GP86200	23	Profile 800 U-Shaped Rail - 760mm	£57.74	Silver	760x1675x760mm	24 x 14mm	Yes	Yes	No	1	Yes - 2 Supports
GP85601	24	Profile 800 L-Shaped Rail - 915mm	£33.79	White	915mm	24 x 14mm	Yes	Yes	No	1	Yes - 1 Support
GP85600	24	Profile 800 L-Shaped Rail - 915mm	£34.74	Silver	915mm	24 x 14mm	Yes	Yes	No	1	Yes - 1 Support
AD200341	24	Profile 800 L-Shaped Rail - 915mm	£38.49	Chrome	915mm	24 x 14mm	Yes	Yes	No	1	Yes - 1 Support
GP86601	24	Profile 800 L-Shaped Rail - 1000mm	£35.67	White	1000mm	24 x 14mm	Yes	Yes	No	1	Yes - 1 Support
GP86600	24	Profile 800 L-Shaped Rail - 1000mm	£36.61	Silver	1000mm	24 x 14mm	Yes	Yes	No	1	Yes - 1 Support
GP86701	25	Profile 800 L-Shaped Rail - 1200mm	£35.67	White	1200mm	24 x 14mm	Yes	Yes	No	1	Yes - 1 Support
GP86700	25	Profile 800 L-Shaped Rail - 1200mm	£36.61	Silver	1200mm	24 x 14mm	Yes	Yes	No	1	Yes - 1 Support
GP85701	25	Profile 800 L-Shaped Rail - 1675mm	£38.02	White	1675mm	24 x 14mm	Yes	Yes	No	1	Yes - 1 Support
GP85700	25	Profile 800 L-Shaped Rail - 1675mm	£38.96	Silver	1675mm	24 x 14mm	Yes	Yes	No	1	Yes - 1 Support
AD200441	25	Profile 800 L-Shaped Rail - 1675mm	£42.24	Chrome	1675mm	24 x 14mm	Yes	Yes	No	1	Yes - 1 Support
GP85801	26	Profile 800 L-Shaped Rail - 1830mm	£39.90	White	1830mm	24 x 14mm	Yes	Yes	No	1	Yes - 1 Support
GP85800	26	Profile 800 L-Shaped Rail - 1830mm	£40.84	Silver	1830mm	24 x 14mm	Yes	Yes	No	1	Yes - 1 Support
GP81100	27	Profile 400 Straight Rail - 915mm	£20.18	Silver	915mm	32 x 14mm	Yes	Yes	No	1	No
GP81200	27	Profile 400 Straight Rail - 1830mm	£30.97	Silver	1830mm	32 x 14mm	Yes	Yes	No	1	No
GP81300	27	Profile 400 Straight Rail - 2135mm	£33.79	Silver	2135mm	32 x 14mm	Yes	Yes	No	1	No
GP81600	28	Profile 400 L-Shaped Rail - 915mm	£37.56	Silver	915mm	32 x 14mm	Yes	Yes	No	1	Yes - 1 Support
GP81700	28	Profile 400 L-Shaped Rail - 1675mm	£44.60	Silver	1675mm	32 x 14mm	Yes	Yes	No	1	Yes - 1 Support
GP81800	29	Profile 400 L-Shaped Rail - 1830mm	£46.47	Silver	1830mm	32 x 14mm	Yes	Yes	No	1	Yes - 1 Support
GP98801	30	Ceiling Support	£10.31	White	610mm		No	n/a	No	1	n/a
GP98800	30	Ceiling Support	£10.79	Silver	610mm		No	n/a	No	1	n/a
AD201541	30	Ceiling Support	£14.07	Chrome	610mm		No	n/a	No	1	n/a
GP98701	30	Ceiling Support	£12.20	White	915mm		No	n/a	No	1	n/a
GP98700	30	Ceiling Support	£12.66	Silver	915mm		No	n/a	No	1	n/a
AD201441	30	Ceiling Support	£15.95	Chrome	915mm		No	n/a	No	1	n/a
GP98900	31	Hook and Glider Pack	£7.02	White	n/a		Yes	No	No	1	No
SPECRAILS	31	Made-To-Measure Straight Rail	£38.49	White/Silver/Chrome	24-32x14mm		Yes	No	No	1	No
SPECRAILL	31	Made-To-Measure L-Shaped Rail	£48.35	White/Silver/Chrome	24-32x14mm		Yes	No	No	1	Yes - 1 Support
SPECRAILU	32	Made-To-Measure U-Shaped Rail	£59.15	White/Silver/Chrome	24-32x14mm		Yes	No	No	1	Yes - 1 Support
SPECRAILA	32	Made-To-Measure Off Set Rail	£49.29	White/Silver/Chrome	24-32x14mm		Yes	No	No	1	Yes - 1 Support
SPECRAILR	32	Made-To-Measure Rectangular Rail	£89.21	White/Silver/Chrome	24-32x14mm		Yes	No	No	1	Yes - 1 Support
SPECRAILC	33	Ceiling Support	£14.35	Silver/White	24-32x14mm		No	No	No	1	No
GPO0001	33	Dust Cover Kit	£5.00	Silver/White	3000x12x5mm		No	No	No	1	No

## QUICK REFERENCE SUMMARY PAGES – SHOWER CURTAINS AND RINGS

CODE	PAGE NO.	NAME	PRICE	MATERIAL	QUANTITY	DIMENSION (DROP X WIDTH)	WEIGHT	HYGIENE 'N' CLEAN	MACHINE WASHABLE
AE543440	37	Silver Mosaic PVC Shower Curtain	£14.07	PVC	1	1800x1800mm	n/a	No	No
AE543424	37	Blue Mosaic PVC Shower Curtain	£14.07	PVC	1	1800x1800mm	n/a	No	No
AE100022	37	Plain White PVC Shower Curtain	£9.38	PVC	1	1800x1800mm	n/a	No	No
AE100017	38	Plain Ivory PVC Shower Curtain	£9.38	PVC	1	1800x1800mm	n/a	No	No
AF286122	38	White Woven Stripe Textile Shower Curtain	£20.65	Textile	1	1800x1800mm	16 g/m Standard weighted hem available	No	Yes
AF286117	38	Ivory Woven Stripe Textile Shower Curtain	£20.65	Textile	1	1800x1800mm	16 g/m Standard weighted hem available	No	Yes
AF159022	39	Plain White Textile Shower Curtain	£14.07	Textile	1	1800x1800mm	16 g/m Standard weighted hem available	No	Yes
AF159017	39	Plain Ivory Textile Shower Curtain	£14.07	Textile	1	1800x1800mm	16 g/m Standard weighted hem available	No	Yes
AF159084	39	Plain Light Blue Textile Shower Curtain	£14.07	Textile	1	1800x1800mm	16 g/m Standard weighted hem available	No	Yes
AF289022	40	White Textile Hook 'N' Hang Shower Curtain	£20.65	Textile	1	1800x1800mm	16 g/m Standard weighted hem available	No	Yes
AF289122	40	White Regency Stripe Textile Hook 'N' Hang Shower Curtain	£20.65	Textile	1	1800x1800mm	16 g/m Standard weighted hem available	No	Yes
SPECTNLRGW	40	Made to Measure Textile Shower Curtain	£40.37 (Subject to quotation)	Textile	1	(Drop) Max.3000mm (W) 1800 - 3600mm	14g/m (standard) or 50g/m (extra heavy) hem weights available	No	Yes
SPECTNSTDW	41	Made to Measure Textile Shower Curtain	£27.22 (Subject to quotation)	Textile	1	(Drop) Max.3000mm (W) 900 - 1800mm	14g/m (standard) or 50g/m (extra heavy) hem weights available	No	Yes
GP00801	41	High Performance White	£18.77	Textile	1	1800x1800mm	50g/m Standard weighted hem available	No	Yes
GP00851B	41	High Performance White	£295.87	Textile	20	1800x1800mm	50g/m Standard weighted hem available	No	Yes
GP85115	41	High Performance White	£24.40	Textile	1	2000x1800mm	50g/m Standard weighted hem available	No	Yes
GP85107	41	High Performance White	£28.16	Textile	1	2000x2000mm	50g/m Standard weighted hem available	No	Yes
GP85105B	41	High Performance White	£389.79	Textile	20	2000x1800mm	50g/m Standard weighted hem available	No	Yes
GP85108	41	High Performance White	£30.04	Textile	1	2100x2100mm	50g/m Standard weighted hem available	No	Yes
GP85106	42	High Performance White Textile Shower Curtain	£26.28	Textile	1	2100x1800mm	n/a	No	Yes
AF286822H	42	Hygiene 'n' Clean Plain Textile Shower Curtain	£20.65	Textile	1	1800x1800mm	33g/m Standard weighted hem available	Yes	Yes
AF289522H	42	Hygiene 'n' Clean Plain Textile Shower Curtain	£28.98	Textile	1	2000x2000mm	33g/m Standard weighted hem available	Yes	Yes
AK142132	43	C Shape Curtain Ring	£2.23	Clear	12	61x43x6mm (HxWxD)	n/a	No	No
AK142122	43	C Shape Curtain Ring	£2.23	White	12	61x43x6mm (HxWxD)	n/a	No	No
AK142141	43	C Shape Curtain Ring	£2.80	Chrome	12	61x43x6mm (HxWxD)	n/a	No	No
AK142232	43	Button Curtain Ring	£3.27	Clear	12	62x42x6mm (HxWxD)	n/a	No	No
AK142222	43	Button Curtain Ring	£3.27	White	12	62x42x6mm (HxWxD)	n/a	No	No
AK141641	44	Ball Ring	£9.38	Chrome	12	75x37x3mm (HxWxD)	n/a	No	No

**QUICK REFERENCE SUMMARY PAGES – SHOWER AND SHOWER ACCESSORIES**

CODE	PAGE NO.	PRODUCT NAME	PRICE	MATERIAL	HOSE LENGTH	DIMENSIONS	BORE	WATER LABEL	NUMBER OF SPRAY PATTERNS	VARI FIT	AQUA AIR	FLEXI FIX	WRAS APPROVED
AM123540	49	1.5m Flexitube Stainless Steel Hose	£13.60	Stainless Steel	1500mm	n/a	7mm*	n/a	n/a	n/a	No	n/a	n/a
AM150822	49	1.5m Reinforced PVC Shower Hose	£15.48	White PVC	1500mm	n/a	7mm*	n/a	n/a	n/a	No	n/a	n/a
AM150841	49	1.5m Reinforced PVC Shower Hose	£15.48	Chrome PVC	1500mm	n/a	7mm*	n/a	n/a	n/a	No	n/a	n/a
AM163541	49	1.5m Reinforced Stainless Steel Shower Hose	£17.36	Stainless Steel	1500mm	n/a	7mm*	n/a	n/a	n/a	No	n/a	n/a
AM550441	50	1.5m Reinforced Stainless Steel Shower Hose	£20.18	Stainless Steel	1500mm	n/a	11mm**	n/a	n/a	n/a	No	n/a	n/a
AM158941	51	1.75m Reinforced Stainless Steel Shower Hose	£19.24	Stainless Steel	1750mm	n/a	7mm*	n/a	n/a	n/a	No	n/a	n/a
AM163641	51	1.75m Reinforced Stainless Steel Shower Hose	£22.06	Stainless Steel	1750mm	n/a	11mm**	n/a	n/a	n/a	No	n/a	n/a
AM550641	51	2m Reinforced Stainless Steel Shower Hose	£23.47	Stainless Steel	2000mm	n/a	11mm**	n/a	n/a	n/a	No	n/a	n/a
AM155941	52	1.5m Stretch Reinforced Shower Hose	£19.24	Chrome Plated	1500mm	n/a	7mm*	n/a	n/a	n/a	No	n/a	n/a
AM156041	52	1.5m Stretch Reinforced Shower Hose	£22.06	Chrome Plated	1500mm	n/a	11mm**	n/a	n/a	n/a	No	n/a	n/a
AM172240	52	Aqua Flex Shower Hose	£25.34	White Plastic	1500mm	n/a	7mm*	n/a	n/a	n/a	No	n/a	n/a
AM153222	53	One Function Shower Handset	£9.34	White/Plastic	n/a	209x70mm (HxW)	n/a	21.4 L/Min	1	No	No	No	Yes
AM153241	53	One Function Shower Handset	£10.79	Chrome/Plastic	n/a	209x70mm (HxW)	n/a	21.4 L/Min	1	No	No	No	Yes
AM150222	53	Three Function Shower Handset	£13.60	White/Plastic	n/a	235x86mm (HxW)	n/a	15.8 L/Min	3	No	No	No	Yes
AM150241	53	Three Function Shower Handset	£14.54	Chrome/Plastic	n/a	235x86mm (HxW)	n/a	15.8 L/Min	3	No	No	No	Yes
AM150322	53	Five Function Shower Handset	£19.24	White/Plastic	n/a	235.7x86mm (HxW)	n/a	23.1 L/Min	5	No	No	No	Yes
AM150341	53	Five Function Shower Handset	£20.18	Chrome/Plastic	n/a	235.7x86mm (HxW)	n/a	23.1 L/Min	5	No	No	No	Yes
AM169922	54	Classic One Function Shower Handset	£23.47	White Plastic/ Chrome Plated	n/a	229x70mm (HxW)	n/a	n/a	1	No	No	No	No
AM151341	54	Inclusive Four Function Shower Handset - Eco	£23.47	White Plastic/ Chrome Plated	n/a	248x85mm (HxW)	n/a	5 L/Min	4	No	No	No	Yes
AM170641	54	Matrix Three Function Shower Handset	£16.88	Chrome Plated	n/a	242x105mm (HxW)	n/a	6.9 L/Min	3	No	No	No	Yes
AM170741	55	Matrix Five Function Shower Handset	£21.58	Chrome Plated	n/a	262x120mm (HxW)	n/a	6.5 L/Min	5	No	No	No	Yes
AM163041	55	Contour Mini Two Function Shower Handset	£15.95	Chrome Plated/ Grey Plastic	n/a	218x86mm (HxW)	n/a	6.7 L/Min	2	No	No	No	No
AM163341	55	Contour Midi Three Function Shower Handset	£18.77	Chrome Plated/ Grey Plastic	n/a	240x105mm (HxW)	n/a	8 L/Min	3	No	No	No	No
AM157641	56	Contour Maxi Four Function Shower Handset	£23.47	Chrome Plated/ Grey Plastic	n/a	262x125mm (HxW)	n/a	6.7 L/Min	4	No	No	No	No
AM171622	56	Carter Three Function Shower Handset	£14.07	White ABS	n/a	262x125mm (HxW)	n/a	8 L/Min	3	No	No	No	No
AM171641	56	Carter Three Function Shower Handset	£16.88	Chrome ABS	n/a	262x125mm (HxW)	n/a	8 L/Min	3	No	No	No	No
AM162041	57	One Function Bath & Shower Set with Bracket	£28.16	Chrome Plated/ Grey Plastic/ Stainless Steel	1500mm	184x102x72mm (HxWxD)	11mm**	n/a	1	No	No	No	No
AM150922	57	Three Function Shower Set	£35.67	White ABS	1500mm	715x102x146mm (HxWxD)	7mm*	n/a	3	No	No	No	No
AM150941	57	Three Function Shower Set	£43.19	Chrome Plated ABS	1500mm	715x102x146mm (HxWxD)	7mm*	n/a	3	No	No	No	No
AM173641	58	Matrix Three Function Shower Set	£59.15	Chrome Plated ABS/Stainless Steel	1500mm	655x142x80mm (HxWxD)	9mm**	6.9 L/Min	3	Yes	No	No	Yes
AM173741	58	Matrix Five Function Shower Set	£63.85	Chrome Plated/ Stainless Steel	1500mm	655x142x80mm (HxWxD)	9mm**	5.5 L/Min	5	No	No	No	Yes

\*Standard bore 5-7mm \*\*High flow bore 9-11mm

**QUICK REFERENCE SUMMARY PAGES – SHOWER AND SHOWER ACCESSORIES**

CODE	PAGE NO.	PRODUCT NAME	PRICE	MATERIAL	HOSE LENGTH	DIMENSIONS	BORE	WATER LABEL	NUMBER OF SPRAY PATTERNS	VARI FIT	AQUA AIR	FLEXI FIX	WRAS APPROVED
AP600241	59	Inclusive Showering Kit	£70.42	Stainless Steel/ White Plastic/ Chrome	2000mm	600x63.5x54mm (HxWxD)	11mm**	5 L/Min	4	No	No	No	No
AM162141	59	Uno One Function Shower Set	£51.64	Chrome Plated/ Stainless Steel	1600mm	1012x140x120mm (HxWxD)	11mm**	n/a	1	Yes	No	No	No
AM158441	60	Trio Three Function Shower Set	£51.64	Chrome Plated/ Grey Plastic/ Stainless Steel	1500mm	655x142x80mm (HxWxD)	9mm**	5.7 L/Min	3	Yes	No	No	No
AM158541	60	Contour Four Function Shower Set	£61.03	Chrome Plated/ Grey Plastic/ Stainless Steel	1500mm	655x142x48mm (HxWxD)	9mm**	6.7 L/Min	4	Yes	No	No	No
AM182041	61	Flexi-Fix Riser Rail	£42.24	Chrome	n/a	680x124x81mm (HxWxD)	n/a	n/a	n/a	No	No	Yes	No
AM182141	62	Flexi-Fix Three Function Shower Set	£70.43	Chrome Plated/ Grey Plastic/ Stainless Steel	1500mm	680x124x81mm (HxWxD)	9mm**	8 L/Min	n/a	No	No	Yes	No
AM182241	62	Flexi-Fix Contour Comfort Large Four Function Shower Set	£84.51	Chrome Plated/ Grey Plastic/ Stainless Steel	2000mm	1000x124x81mm (HxWxD)	9mm**	6.7 L/Min	4	No	No	Yes	No
AM171241	63	Newell Overhead Shower	£42.24	Chrome ABS	n/a	200x200x60.50mm (HxWxD)	n/a	7.9 L/Min	n/a	No	Yes	No	No
AM171341	64	Sherrard Overhead Shower	£42.24	Chrome ABS	n/a	200x200x58mm (HxWxD)	n/a	8 L/Min	n/a	No	Yes	No	No
AM171441	64	Mowbray Overhead Shower	£24.40	Chrome ABS	n/a	109x100x73mm (HxWxD)	n/a	8 L/Min	n/a	No	Yes	No	No
AM171541	65	Florence Overhead Shower	£21.58	Chrome Plated	n/a	100x100x64.50mm (HxWxD)	n/a	8 L/Min	n/a	No	Yes	No	No
AM172641	65	Shower Arm	£41.31	Chrome Plated	n/a	400x25x44.50mm (HxWxD)	n/a	n/a	n/a	No	Yes	No	No
AM172741	65	Ceiling Arm	£23.47	Chrome Plated	n/a	150x25mm (HxW)	n/a	n/a	n/a	No	Yes	No	No
AM150422	66	Riser Rail	£20.65	White	n/a	715x146x72mm (HxWxD)	n/a	n/a	n/a	No	No	No	No
AM150441	66	Riser Rail	£23.47	Chrome Plated	n/a	715x146x72mm (HxWxD)	n/a	n/a	n/a	No	No	No	No
AM163741	66	Vario Riser Rail	£25.34	Chrome Plated	n/a	672x112x78mm (HxWxD)	n/a	n/a	n/a	No	No	No	No
AM158241	67	Vari-Fit Riser Rail	£32.86	Chrome Plated	n/a	655x142x48mm (HxWxD)	n/a	n/a	n/a	Yes	No	No	No
AP710522	68	Inclusive Riser Rail Slider	£20.83	Chrome Plated	n/a	66x182.50mm (HxW)	n/a	n/a	n/a	No	No	No	No
AM150622	68	Adjustable Wall Bracket	£7.50	White	n/a	70x84x102mm (HxWxD)	n/a	n/a	n/a	No	No	No	No
AM150641	68	Adjustable Wall Bracket	£9.38	Chrome Plated	n/a	70x84x102mm (HxWxD)	n/a	n/a	n/a	No	No	No	No
AM710122	68	Universal Riser Rail Slider	£3.27	White Plastic	n/a	41x120x41mm (HxW)	n/a	n/a	n/a	No	No	No	No
AM710141	68	Universal Riser Rail Slider	£3.74	Chrome Plated	n/a	41x120x41mm (HxW)	n/a	n/a	n/a	No	No	No	No
AM161332	69	Rigid Seal Kits Wiper	£12.20	Translucent	n/a	2450x1000mm (LxW)	n/a	n/a	n/a	No	No	No	No
AM161432	69	Rigid Seal Kits Tube	£12.20	Translucent	n/a	1750x1000mm (LxW)	n/a	n/a	n/a	No	No	No	No
AM184032	69	Flexi-Fix Shower Screen	£150.00	Glass	n/a	1500x830x6mm (HxWxD)	n/a	n/a	n/a	No	No	Yes	No

\*Standard bore 5-7mm \*\*High flow bore 9-11mm

## QUICK REFERENCE SUMMARY PAGES – TOILET SEATS AND BATH PANELS

CODE	PAGE NO.	PRODUCT NAME	PRICE	FINISH	DIMENSIONS (LxW)	SIT TIGHT	ANTI BACTERIAL TREATED SURFACE	SOFT CLOSE	QUICK RELEASE	TOP FIX	EASY FIX	FSC/ RAINFOREST ALLIANCE CERTIFIED
WL530022H	73	Jackson White Toilet Seat	£25.34	White	440x375mm	Yes	Yes	No	No	No	No	Yes
WL530122H	73	Foster White Toilet Seat	£28.16	White	430x375mm	Yes	Yes	No	No	No	No	n/a
WL530322H	74	Foster White Toilet Seat with Soft Close	£30.97	White	430x375mm	Yes	Yes	Yes	No	No	No	n/a
WL530522H	74	Dawson White Toilet Seat with Soft Close	£46.94	White	430x370mm	Yes	Yes	Yes	Yes	Yes	No	Yes
WL530822H	75	New England White Tounge & Groove Toilet Seat	£32.86	White	450x375mm	Yes	Yes	No	No	No	No	Yes
WL533522H	75	Haven D- Shaped Toilet Seat with Soft Close	£46.94	White	415x370mm	Yes	Yes	Yes	Yes	Yes	No	Yes
WL530650H	76	Douglas Antique Pine Toilet Seat	£32.86	Antique Pine/ Chrome Plated	420x360mm	Yes	Yes	No	No	No	No	Yes
WL530750H	76	Douglas Antique Pine Toilet Seat	£33.79	Antique Pine/ Brass Effect	420x360mm	Yes	Yes	No	No	No	No	Yes
WL530652H	76	Douglas Mahogany Effect Toilet Seat	£32.86	Mahogany Effect/ Chrome Plated	420x360mm	Yes	Yes	No	No	No	No	Yes
WL530752H	76	Douglas Mahogany Effect Toilet Seat	£33.79	Mahogany Effect/ Brass Effect	420x360mm	Yes	Yes	No	No	No	No	Yes
WL530976H	77	Bloomfield Solid Oak Toilet Seat	£44.13	Solid Oak/ Chrome Plated	435x365mm	Yes	Yes	No	No	No	No	Yes
WL531076H	77	Bloomfield Solid Oak Toilet Seat	£45.06	Solid Oak/ Brass Effect	435x365mm	Yes	Yes	No	No	No	No	Yes
WL531176H	77	Bloomfield Solid Oak Soft Close Toilet Seat	£46.94	Solid Oak	435x365mm	Yes	Yes	Yes	No	No	No	Yes
WL401022H	78	Canada Easy Fix Toilet Seat	£18.77	White	425x360mm	No	Yes	No	No	No	Yes	n/a
WL401122H	78	Panama Easy Fix Toilet Seat	£21.58	White	440x360mm	No	Yes	No	No	No	Yes	n/a
WL401222H	79	Hudson Toilet Seat with Soft Close	£34.84	White	440x365mm	No	Yes	Yes	Yes	No	Yes	n/a
WL400122H	79	Haughton Easy-Fix Toilet Seat	£56.33	White	430x365mm	No	Yes	Yes	Yes	No	No	n/a
WL400022H	80	Anti-Bacterial Polypropylene Toilet Seat with Soft Close	£32.86	White	400x365mm	No	Yes	Yes	No	No	No	n/a
WL533622H	80	Eldon Toilet Seat with Soft Close	£35.67	White	425x380mm	No	Yes	Yes	Yes	Yes	No	n/a
WL110922H	81	SafeFlush Toilet Seat	£72.30	White	430x380mm	No	Yes	Yes	Yes	No	No	n/a
WL400522H	81	Raised Toilet Seat	£112.69	White	425x370mm	No	Yes	No	No	No	No	n/a
WB995122	82	Bath Panel	£93.91	White	500-530x1677x18mm (HxWxD)	n/a	n/a	n/a	n/a	n/a	n/a	Yes
WB715122	82	Storage Bath Panel	£93.91	White	500x1690mm	n/a	n/a	n/a	n/a	n/a	n/a	Yes
WB995022	83	Bath End Panel	£51.64	Gloss	500-530x660x18mm (HxWxD)	n/a	n/a	n/a	n/a	n/a	n/a	Yes

## QUICK REFERENCE SUMMARY PAGES – WALL MOUNTED/SEMI PERMANENT ACCESSORIES

CODE	PAGE NO.	PRODUCT NAME	PRICE	DIMENSIONS (HXWXD)	MATERIAL	HANG 'N' LOCK	FLEXI FIX	RUST FREE GUARANTEE	HANG LANDSCAPE/ PORTRAIT**
MM710400E	87	Henmore LED	£187.83	600x380x38mm	n/a	Yes	No	n/a	Portrait only
MM710100E	87	Carrock LED	£216.01	640x450x60mm	n/a	Yes	No	n/a	Portrait only
MM710500E	88	Sherston LED	£234.80	800x600x50mm	n/a	Yes	No	n/a	Portrait or Landscape
MM710600E	88	Cheaton LED	£234.80	800x600x45mm	n/a	Yes	No	n/a	Portrait or Landscape
MM710200E	88	Wyncham LED	£234.80	700x700x37mm	n/a	Yes	No	n/a	Portrait only
MM710300E	88	Rothley LED	£328.72	800x800x46.50mm	n/a	Yes	No	n/a	Portrait only
MM720200E	89	Chilcombe LED	£164.35	700x500x30mm	n/a	Yes	No	n/a	Portrait or Landscape
MM720700E	89	Rookley LED	£164.35	700x500x30mm	n/a	Yes	No	n/a	Portrait or Landscape
MM720100E	89	Oakley LED	£234.80	700x700x45mm	n/a	Yes	No	n/a	Portrait only
MM720600E	89	Birchwood LED	£187.83	590x590x33mm	n/a	Yes	No	n/a	Portrait only
MM720400E	90	Chawston LED	£164.35	700x500x30mm	n/a	Yes	No	n/a	Portrait or Landscape
MM720300E	90	Henbury LED	£140.87	700x500x30mm	n/a	Yes	No	n/a	Portrait or Landscape
MM720500E	90	Marlow LED	£187.83	800x600x35mm	n/a	Yes	No	n/a	Portrait only
MM720800E	90	Halington LED	£140.87	700x500x30mm	n/a	Yes	No	n/a	Portrait only
MM731100E	91	Thornton Mirror	£50.00	600x400x30mm	n/a	No	No	n/a	n/a
MM730100E	91	Malham Mirror	£41.67	450x300x30mm	n/a	No	No	n/a	n/a
QM260941	92	Corner Soap Dish	£7.02	36x190x120mm	Mild Steel	No	No	Five Year	n/a
QM261941	92	Soap Dish	£6.09	36.50x127x103mm	Mild Steel	No	No	Five Year	n/a
QM260641	93	Cosmetic Basket	£9.84	51.50x250x125mm	Mild Steel	No	No	Five Year	n/a
QM265941	93	Corner Basket	£9.84	61x280x165mm	Mild Steel	No	No	Five Year	n/a
QM260541	93	Two Tier Corner Basket	£18.29	316x250x128mm	Mild Steel	No	No	Five Year	n/a
QM260841	93	Small Two Tier Corner Basket	£14.54	281x225x140mm	Mild Steel	No	No	Five Year	n/a
QM260241	94	Medium Two Tier Corner Basket	£18.77	327x250x147mm	Mild Steel	No	No	Five Year	n/a
QM263841	94	Large Two Tier Corner Basket	£23.93	303x283x167mm	Mild Steel	No	No	Five Year	n/a
QM262841	94	Three Tier Corner Basket	£27.69	482x275x165mm	Mild Steel	No	No	Five Year	n/a
QM264341	94	Hook Over Three Tier Corner Basket	£33.33	632x250x184mm	Mild Steel	No	No	Five Year	n/a
QM391941	95	Soap Dish	£9.37	36.50x119x103mm	Stainless Steel	No	No	Ten Year	n/a
QM390941	95	Corner Soap Dish	£12.66	36x190x120mm	Stainless Steel	No	No	Ten Year	n/a
QM390641	96	Cosmetic Basket	£18.77	51.50x250x125mm	Stainless Steel	No	No	Ten Year	n/a
QM395941	96	Corner Basket	£18.77	61x280x165mm	Stainless Steel	No	No	Ten Year	n/a
QM390541	96	Two Tier Corner Basket	£35.67	316x250x128mm	Stainless Steel	No	No	Ten Year	n/a
QM390841	96	Small Two Tier Corner Basket	£28.16	281x225x140mm	Stainless Steel	No	No	Ten Year	n/a
QM390241	97	Medium Two Tier Corner Basket	£32.86	327x250x147mm	Stainless Steel	No	No	Ten Year	n/a
QM393841	97	Large Two Tier Corner Basket	£37.55	303x283x167mm	Stainless Steel	No	No	Ten Year	n/a

\*\* Hang n Lock only applicable for portrait orientation fitting. Landscape fitting uses traditional fixing methods.

**QUICK REFERENCE SUMMARY PAGES – WALL MOUNTED/ SEMI PERMANENT ACCESSORIES**

CODE	PAGE NO.	PRODUCT NAME	PRICE	DIMENSIONS (HXWXD)	MATERIAL	HANG 'N' LOCK	FLEXI FIX	RUST FREE GUARANTEE	HANG LANDSCAPE/ PORTRAIT**
QM392841	97	Three Tier Corner Basket	£49.76	482x275x165mm	Stainless Steel	No	No	Ten Year	n/a
QM394341	97	Over-Hook Three Tier Basket	£51.64	632x250x184mm	Stainless Steel	No	No	Ten Year	n/a
QM781941	98	Soap Basket	£14.07	47.25x135x95.50mm	Slimline Aluminium	No	No	Lifetime	n/a
QM780641	98	Cosmetic Basket	£23.47	92.25x250x125.50mm	Slimline Aluminium	No	No	Lifetime	n/a
QM780741	98	Long Cosmetic Basket	£32.86	92.50x450x124mm	Slimline Aluminium	No	No	Lifetime	n/a
QM785941	99	Corner Basket	£23.46	92.25x277.50x192.50mm	Slimline Aluminium	No	No	Lifetime	n/a
QM786041	99	Two Tier Basket	£37.56	262.25x180x106mm	Slimline Aluminium	No	No	Lifetime	n/a
QM783841	99	Two Tier Corner Basket	£37.56	250x215x163.50mm	Slimline Aluminium	No	No	Lifetime	n/a
QM784341	99	Two Tier Hook Over Basket	£51.64	750x250x126mm	Slimline Aluminium	No	No	Lifetime	n/a
QM770641	100	Cosmetic Basket	£28.16	60x300x140mm	Aluminium	No	No	Lifetime	n/a
QM775941	100	Corner Basket	£28.16	60x311.50x208.50	Aluminium	No	No	Lifetime	n/a
QM770341	101	Large Basket	£28.16	140x255.50x126.50mm	Aluminium	No	No	Lifetime	n/a
QM770541	101	Large Curved Basket	£28.16	140x255.50x126.50mm	Aluminium	No	No	Lifetime	n/a
QM770841	101	Large Two Tier Basket	£46.94	390x255.50x126.50mm	Aluminium	No	No	Lifetime	n/a
QM773841	101	Large Two Tier Curved Basket	£46.94	390x255.50x126.50mm	Aluminium	No	No	Lifetime	n/a
QM772841	102	Large Two Tier Corner Basket	£46.94	390x311.50x208.50mm	Aluminium	No	No	Lifetime	n/a
QM790641	102	Cosmetic Basket	£28.16	80x250x126.50mm	Aluminium	No	No	Lifetime	n/a
QM795941	102	Corner Basket	£28.16	90x277.50x205mm	Aluminium	No	No	Lifetime	n/a
QM810641	104	Charlwood Flexi-Fix Cosmetic Basket	£32.86	98.50x260x98.50mm	Chrome Plated Mild Steel	No	Yes	Five Year	n/a
QM810941	104	Charlwood Flexi-Fix Corner Basket	£32.86	98.50x263.50x218mm	Chrome Plated Mild Steel	No	Yes	Five Year	n/a
QM810541	104	Charlwood Flexi-Fix Two Tier Cosmetic Basket	£56.34	362x260x130mm	Chrome Plated Mild Steel	No	Yes	Five Year	n/a
QM813841	104	Charlwood Flexi-Fix Two Tier Corner Basket	£56.34	362x263.50x218mm	Chrome Plated Mild Steel	No	Yes	Five Year	n/a
QM741141	105	Romsey - Toilet Roll Holder	£14.08	101x162x78mm	Zinc Alloy Construction/ Chrome Plated	No	Yes	None	n/a
QM741541	105	Romsey - Towel Ring	£15.96	187x164.50x42.50mm	Zinc Alloy Construction/ Chrome Plated	No	Yes	None	n/a
QM741041	106	Romsey - Mirror	£56.33	380x380x87.50mm	Zinc Alloy Construction/ Chrome Plated	No	Yes	None	n/a
QM741741	106	Romsey - Robe Hook	£8.44	84x84x36.50mm	Zinc Alloy Construction/ Chrome Plated	No	Yes	None	n/a
QM741841	106	Romsey - Tumbler & Holder	£16.90	99x67.50x107mm	Zinc Alloy Construction/ Chrome Plated	No	Yes	None	n/a
QM741941	106	Romsey - Soap Dish & Holder	£16.90	55.60x54x126.50mm	Zinc Alloy Construction/ Chrome Plated	No	Yes	None	n/a
QM742741	107	Romsey - Towel Rail	£24.41	54x675x72.50mm	Zinc Alloy Construction/ Chrome Plated	No	Yes	None	n/a
QM741441	107	Romsey - Glass Shelf	£24.41	54x540x115mm	Zinc Alloy Construction/ Chrome Plated	No	Yes	None	n/a
QM751141	108	Wimborne - Toilet Roll Holder	£14.08	101x161x54mm	Zinc Alloy Construction/ Chrome Plated	No	Yes	None	n/a
QM751541	108	Wimborne - Towel Ring	£15.96	184.50x163x50mm	Zinc Alloy Construction/ Chrome Plated	No	Yes	None	n/a

\*\*\* Hang n Lock only applicable for portrait orientation fitting. Landscape fitting uses traditional fixing methods.

## QUICK REFERENCE SUMMARY PAGES – WALL MOUNTED/SEMI PERMANENT ACCESSORIES

CODE	PAGE NO.	PRODUCT NAME	PRICE	DIMENSIONS (HXWXD)	MATERIAL	HANG 'N' LOCK	FLEXI FIX	RUST FREE GUARANTEE	HANG LANDSCAPE/ PORTRAIT**
QM751041	109	Wimborne - Mirror	£56.33	450x320x105.50mm	Zinc Alloy Construction/ Chrome Plated	No	Yes	None	n/a
QM751741	109	Wimborne - Double Robe Hook	£8.44	54x68x50mm	Zinc Alloy Construction/ Chrome Plated	No	Yes	None	n/a
QM751841	109	Wimborne - Tumbler & Holder	£16.90	99x67.50x124mm	Zinc Alloy Construction/ Chrome Plated	No	Yes	None	n/a
QM751941	109	Wimborne - Soap Dish & Holder	£16.90	54x111x145mm	Zinc Alloy Construction/ Chrome Plated	No	Yes	None	n/a
QM752741	110	Wimborne - Towel Rail	£24.41	53x67.5x71.50mm	Zinc Alloy Construction/ Chrome Plated	No	Yes	None	n/a
QM751441	110	Wimborne - Glass Shelf	£24.41	54x590x148.50mm	Zinc Alloy Construction/ Chrome Plated	No	Yes	None	n/a
QM441741	111	Chester - Toilet Roll Holder	£18.78	54x169x78.50mm	Zinc Alloy Construction/ Chrome Plated	No	Yes	None	n/a
QM441541	111	Chester - Towel Ring	£23.48	168.75x153x58mm	Zinc Alloy Construction/ Chrome Plated	No	Yes	None	n/a
QM441041	111	Chester - Mirror	£51.64	380x384x87.50mm	Zinc Alloy Construction/ Chrome Plated	No	Yes	None	n/a
QM441741	112	Chester - Robe Hook	£12.21	54x54x47.50mm	Zinc Alloy Construction/ Chrome Plated	No	Yes	None	n/a
QM441841	112	Chester - Tumbler & Holder	£21.60	97x67.50x109mm	Zinc Alloy Construction/ Chrome Plated	No	Yes	None	n/a
QM441941	112	Chester - Soap Dish & Holder	£21.60	54x107.50x130mm	Zinc Alloy Construction/ Chrome Plated	No	Yes	None	n/a
QM442741	112	Chester - Towel Rail	£30.98	54x67.5x72.50mm	Zinc Alloy Construction/ Chrome Plated	No	Yes	None	n/a
QM441441	113	Chester - Glass Shelf	£30.98	115x590x132.50mm	Zinc Alloy Construction/ Chrome Plated	No	Yes	None	n/a
QM445941	113	Chester - Glass Corner Shelf	£22.53	217.50x200x200mm	Zinc Alloy Construction/ Chrome Plated	No	Yes	None	n/a
QM481141	114	Epsom - Toilet Roll Holder	£18.78	54x162x83.50mm	Zinc Alloy Construction/ Chrome Plated	No	Yes	None	n/a
QM481541	114	Epsom - Towel Ring	£20.66	54x270.50x81.50mm	Zinc Alloy Construction/ Chrome Plated	No	Yes	None	n/a
QM411041	115	Epsom - Mirror	£46.94	380x380x87.50mm	Zinc Alloy Construction/ Chrome Plated	No	Yes	None	n/a
QM481741	115	Epsom - Robe Hook	£12.21	54x54x50.50mm	Zinc Alloy Construction/ Chrome Plated	No	Yes	None	n/a
QM481841	115	Epsom - Tumbler & Holder	£21.60	97x67.50x107.50mm	Zinc Alloy Construction/ Chrome Plated	No	Yes	None	n/a
QM481941	115	Epsom - Soap Dish & Holder	£21.60	54x107.50x130mm	Zinc Alloy Construction/ Chrome Plated	No	Yes	None	n/a
QM482741	116	Epsom - Towel Rail	£30.98	54x680x77.50mm	Zinc Alloy Construction/ Chrome Plated	No	Yes	None	n/a
QM481441	116	Epsom - Glass Shelf	£30.98	60x590x135.50mm	Zinc Alloy Construction/ Chrome Plated	No	Yes	None	n/a
QM581141	117	Britannia - Toilet Roll Holder	£22.53	60x179x92.50mm	Zinc Alloy Construction/ Chrome Plated	No	Yes	None	n/a
QM581541	117	Britannia - Towel Ring	£25.35	190x165x38mm	Zinc Alloy Construction/ Chrome Plated	No	Yes	None	n/a
QM589141	118	Britannia - Double Robe Hook	£15.96	60x83x60mm	Zinc Alloy Construction/ Chrome Plated	No	Yes	None	n/a
QM581841	118	Britannia - Tumbler & Holder	£28.17	101.50x67.50x117mm	Zinc Alloy Construction/ Chrome Plated	No	Yes	None	n/a
QM581941	118	Britannia - Soap Dish & Holder	£28.17	60x108x137mm	Zinc Alloy Construction/ Chrome Plated	No	Yes	None	n/a
QM581341	118	Britannia - Towel Rail	£46.96	54x500x72.50mm	Zinc Alloy Construction/ Chrome Plated	No	Yes	None	n/a
QM582941	119	Britannia - Double Towel Rail	£65.74	60x67.5x118mm	Zinc Alloy Construction/ Chrome Plated	No	Yes	None	n/a
QM581441	119	Britannia - Glass Shelf	£42.26	60x590x136.50mm	Zinc Alloy Construction/ Chrome Plated	No	Yes	None	n/a
QA103041	119	Britannia - Small Round Magnifying Mirror	£15.96	258.50x142x30mm	Zinc Alloy Construction/ Chrome Plated	No	Yes	None	n/a
QA108641	120	Britannia - Retractable Clothes Line	£15.96	92x92x50mm	Stainless Steel	No	No	None	n/a



**QUICK REFERENCE SUMMARY PAGES – WALL MOUNTED/ SEMI PERMANENT ACCESSORIES**

CODE	PAGE NO.	PRODUCT NAME	PRICE	DIMENSIONS (HXWXD)	MATERIAL	HANG 'N' LOCK	FLEXI FIX	RUST FREE GUARANTEE	HANG LANDSCAPE/ PORTRAIT**
QM588541	120	Britannia - Wall Mounted Bottle Opener	£6.57	58x48x25mm	Stainless Steel	No	No	None	n/a
QA107205	121	Britannia - Three Litre Pedal Bin	£14.55	257x169x230mm	Stainless Steel/ Chrome	No	No	None	n/a
QA107305	121	Britannia - Five Litre Pedal Bin	£20.65	280x205x250mm	Stainless Steel/ Chrome	No	No	None	n/a
QM102005	122	Britannia - Toilet Brush	£25.34	404x96x96mm	Stainless Steel	No	No	None	n/a
QM731141	123	Sutton - Spindle Toilet Roll Holder	£7.02	50x150x71mm	Zinc Alloy Construction/ Chrome Plated	No	No	None	n/a
QM731241	123	Sutton - Toilet Roll Holder	£9.38	102x168x42.50mm	Zinc Alloy Construction/ Chrome Plated	No	No	None	n/a
QM731741	124	Sutton - Robe Hook	£3.74	41x33x35mm	Zinc Alloy Construction/ Chrome Plated	No	No	None	n/a
QM731541	124	Sutton - Towel Ring	£7.97	168x150x42.50mm	Zinc Alloy Construction/ Chrome Plated	No	No	None	n/a
QM731841	124	Sutton - Tumbler & Holder	£9.38	95x100x80mm	Zinc Alloy Construction/ Chrome Plated	No	No	None	n/a
QM731941	124	Sutton - Soap Dish	£7.50	24.25x100x81mm	Zinc Alloy Construction/ Chrome Plated	No	No	None	n/a
QM732641	125	Sutton - Towel Rail	£11.25	50x482x71mm	Zinc Alloy Construction/ Chrome Plated	No	No	None	n/a
QM731441	125	Sutton - Glass Shelf	£20.18	50x500x115mm	Zinc Alloy Construction/ Chrome Plated	No	No	None	n/a
QM201141	126	Westminster - Toilet Roll Holder	£12.66	105x165x60mm	Zinc Alloy Construction/ Chrome Plated	No	No	None	n/a
QM201541	126	Westminster - Towel Ring	£12.66	180x155x60mm	Zinc Alloy Construction/ Chrome Plated	No	No	None	n/a
QM201041BOX	126	Westminster - Mirror	£38.02	400x300x79mm	Zinc Alloy Construction/ Chrome Plated	No	No	None	n/a
QM201741	127	Westminster - Double Robe Hook	£6.56	58x67x60mm	Zinc Alloy Construction/ Chrome Plated	No	No	None	n/a
QM206641	127	Westminster - Soap Dispenser	£18.29	155.50x59x110mm	Zinc Alloy Construction/ Chrome Plated	No	No	None	n/a
QM201841	127	Westminster - Tumbler & Holder	£15.01	115x120x107mm	Zinc Alloy Construction/ Chrome Plated	No	No	None	n/a
QM201941	127	Westminster - Soap Dish	£12.66	58x120x107mm	Zinc Alloy Construction/ Chrome Plated	No	No	None	n/a
QM202641	128	Westminster - Towel Rail	£19.24	58x515x79mm	Zinc Alloy Construction/ Chrome Plated	No	No	None	n/a
QM202841	128	Westminster - Double Towel Rail	£29.10	71.50x510x140mm	Zinc Alloy Construction/ Chrome Plated	No	No	None	n/a
QM201441	128	Westminster - Glass Shelf	£28.63	58x500x100mm	Zinc Alloy Construction/ Chrome Plated	No	No	None	n/a
QM202441	128	Westminster - Toilet Brush	£28.63	357x110x135.50mm	Zinc Alloy Construction/ Chrome Plated	No	No	None	n/a
QM641141	129	Hampstead - Toilet Roll Holder	£14.54	60x179.50x80mm	Zinc Alloy Construction/ Chrome Plated	No	No	None	n/a
QM641541	129	Hampstead - Towel Ring	£17.36	153x250x51.50mm	Zinc Alloy Construction/ Chrome Plated	No	No	None	n/a
QM641041	130	Hampstead - Mirror	£46.94	480x582x61mm	Zinc Alloy Construction/ Chrome Plated	No	No	None	n/a
QM641741	130	Hampstead - Double Robe Hook	£7.02	60x78x54mm	Zinc Alloy Construction/ Chrome Plated	No	No	None	n/a
QM646641	130	Hampstead - Soap Dispenser	£19.24	167x73x118.50mm	Zinc Alloy Construction/ Chrome Plated	No	No	None	n/a
QM641841	130	Hampstead - Tumbler & Holder	£15.48	131x75x118mm	Zinc Alloy Construction/ Chrome Plated	No	No	None	n/a
QM641941	131	Hampstead - Soap Dish	£14.54	60x108x134.50mm	Zinc Alloy Construction/ Chrome Plated	No	No	None	n/a
QM642641	131	Hampstead - Towel Rail	£28.16	60x535.50x50mm	Zinc Alloy Construction/ Chrome Plated	No	No	None	n/a
QM641441	131	Hampstead - Glass Shelf	£37.56	60x596x147.50mm	Zinc Alloy Construction/ Chrome Plated	No	No	None	n/a
QM642441	131	Hampstead - Toilet Brush	£28.63	357x148.50x110mm	Zinc Alloy Construction/ Chrome Plated	No	No	None	n/a

## QUICK REFERENCE SUMMARY PAGES – CABINETS AND STORAGE

CODE	PAGE NO.	PRODUCT NAME	PRICE	DIMENSIONS (HXXWXD)	MATERIAL	ILLUMINATED	HANG 'N' LOCK	FSC & RAINFOREST ALLIANCE CERTIFIED	HINGE	NUMBER OF SHELVES
WC101369	136	Langley Single Door Cabinet	£187.83	660x510x133mm	Aluminium	No	Yes	n/a	165° spring hinges	2
WC101469	136	Haven Single Door Cabinet	£234.80	760x610x133mm	Aluminium	No	Yes	n/a	165° spring hinges	2
WC102069	137	Newton Double Door Bi-View Cabinet	£234.80	660x610x133mm	Aluminium	No	Yes	n/a	165° spring hinges	5
WC101669	137	Hilton Double Door Bi-View Cabinet	£253.38	660x765x133mm	Aluminium	No	Yes	n/a	165° spring hinges	5
WC101869	138	Loxley Triple Door Tri-View Cabinet	£300.55	660x762x133mm	Aluminium	No	Yes	n/a	165° spring hinges	9
WC101969	138	Kennet Triple Door Tri-View Cabinet	£347.51	660x914x133mm	Aluminium	No	Yes	n/a	165° spring hinges	9
WC102122	139	Wellington Double Door Bi-View Cabinet	£178.44	610x610x127mm	White Steel	No	Yes	n/a	110° spring hinges	2
WC102322	139	Westborne Triple Door Tri-View Cabinet	£281.76	762x914x133mm	White Steel	No	Yes	n/a	110° spring hinges	2
WC102622	140	Burwell Triple Door Tri-View Cabinet	£356.90	762x1219x133mm	White Steel	No	Yes	n/a	110° spring hinges	2
WC271022	140	Blanco Single Door Mirror Wooden Cabinet	£46.67	530x340x130mm	White Wood	No	Yes	Yes	n/a	1
WC257122	141	Simplicity Single Door Self Assembly Cabinet	£41.78	300x300x140mm	White MDF	No	No	Yes	n/a	1
WC271122	141	Anderson Double Mirror Door Cabinet	£71.67	580x560x130mm	White Wood	No	Yes	Yes	n/a	1
WC257022	142	Simplicity Double Door Cabinet	£67.14	450x600x140mm	White MDF	No	No	Yes	n/a	1
WC257222	142	Simplicity Single Door Self Assembly Corner Cabinet	£56.33	500x300x240mm	White MDF	No	No	Yes	n/a	1
WC440322	143	Swivel Door Bi-View Cabinet	£93.91	500x540x140mm	White MDF	No	No	Yes	n/a	1
WC266222E	143	Shire Double Door Illuminated Cabinet	£187.84	530x450x230mm	White Steel	No	No	n/a	n/a	1
WC266205E	143	Shire Double Door Illuminated Cabinet	£233.85	530x450x230mm	Stainless Steel	Yes	No	n/a	n/a	1
WC146022E	144	Thames Double Door Illuminated Cabinet	£281.76	640x700x245mm	White MDF	Yes	No	n/a	n/a	1
WC146122E	144	Thames Double Door Illuminated Cabinet	£253.58	640x700x245mm	White MDF	Yes	No	n/a	n/a	1
WC786105E	144	Colorado Double Door Large Illuminated Cabinet	£309.93	770x500x230mm	Stainless Steel	Yes	No	n/a	120° spring hinges	2
WC147669E	145	Clarence Single Door Illuminated Cabinet	£479.17	700x500x154.50mm	Aluminium	Yes	Yes	n/a	n/a	2
WC147469E	145	Hampton Triple Door Illuminated Cabinet	£437.50	700x900x120mm	Aluminium	Yes	No	n/a	n/a	2
WC147169E	146	Houston Single Door Illuminated Cabinet	£316.67	700x348x160mm	Aluminium	Yes	No	n/a	180° spring hinges	2
WC147769E	146	Jefferson Single Door Illuminated Cabinet	£270.83	700x400x118mm	Aluminium	Yes	Yes	n/a	180° spring hinges	2
WC147369E	147	Madison Single Door Illuminated Cabinet	£291.67	700x500x118mm	Aluminium	Yes	Yes	n/a	180° spring hinges	2
WC147069E	147	Sudbury Double Door Illuminated Cabinet	£312.50	700x600x120mm	Aluminium	Yes	Yes	n/a	180° spring hinges	2
WC147569E	148	Malford Single Door Illuminated Cabinet	£333.33	700x400x148mm	Aluminium	Yes	Yes	n/a	180° spring hinges	2
WC147269E	148	Warwick Double Door Illuminated Cabinet	£400.00	700x160x148mm	Aluminium	Yes	Yes	n/a	180° spring hinges	2
WC856005	149	Avon Single Door Small Cabinet	£65.73	400x300x120mm	Stainless Steel	No	No	n/a	90° spring hinges	1
WC866105	149	Avon Double Door Small Cabinet	£93.91	440x430x160mm	White	No	No	n/a	90° spring hinges	1
WC736005	150	Anton Single Door Standard Cabinet	£93.91	550x300x120mm	Stainless Steel	No	No	n/a	120° spring hinges	1
WC756105	150	Anton Double Door Standard Cabinet	£169.04	670x500x120mm	Stainless Steel	No	No	n/a	120° spring hinges	2
WC746005	151	Colorado Single Door Large Cabinet	£164.36	670x380x120mm	Stainless Steel	No	No	n/a	n/a	1
WC776105	151	Colorado Double Door Large Cabinet	£211.31	740x500x120mm	Stainless Steel	No	No	n/a	n/a	2
WC846005	152	Trent Lockable Medicine Cabinet	£59.15	400x250x130mm	Stainless Steel	No	No	n/a	160° spring hinges	1
WC250177	152	Lockable Walnut Effect Cabinet	£187.50	598x600x154mm	Walnut	No	No	n/a	n/a	2

## QUICK REFERENCE SUMMARY PAGES – INCLUSIVE PRODUCTS

CODE	PAGE NO.	PRODUCT NAME	PRICE	DIMENSIONS	MATERIAL	WEIGHT ALLOWANCE	CONCEALED FIXINGS	FIXINGS INCLUDED
AP230022	157	Wall Mounted Foldaway Shower Seat	£46.94	50x370x360mm (HxWxD)	Chrome Plated/ White Plastic	100kg/220lbs/15st 10lbs	n/a	No
AP120022	157	White Foldaway Shower Seat	£65.73	375x390x60mm (HxWxD)	Stainless Steel/ White Plastic	120kg/ 264lbs/ 18st 12lbs	n/a	No
AP120122	157	White & Chrome Fold Away Shower Seat	£75.12	395x350x45mm (HxWxD)	Chrome Plated/ White Plastic	100kg/220lbs/15st 10lbs	n/a	No
AP503122	158	Wall Mouted Shower Seat	£169.04	485x350x360mm (HxWxD)	Chrome Plated/ White Plastic	158kg/ 348lbs/ 24st 12lbs	n/a	No
AP504122	158	Newport Fold Up Seat	£169.04	485x500x415mm (HxWxD)	Chrome Plated/ White Plastic	130kg/ 286lbs/ 20st 6lbs	n/a	No
AP210122	158	Easy - Fit Bath Bench	£51.64	220x720x180mm (HxWxD)	Aluminium/ White Plastic	90kg/ 198lbs/ 14st 2lbs	n/a	n/a
AP130622	159	Shower Stool (Three Leg)	£37.55	470x396x396mm (HxWxD)	White Plastic	n/a	n/a	n/a
AP100122	159	Adjustable Bathroom & Shower Seat	£61.03	475 - 510x498x495mm (HxWxD)	Chrome Plated/ White Plastic	100kg/220lbs/15st 10lbs	n/a	n/a
AP400222	159	Modular Shower Stool	£92.96	930x540x310mm (HxWxD)	Chrome Plated/ White Plastic	190kg/ 420lbs/ 30st	n/a	n/a
AP130222	160	Small White Adjustable Shower Stool	£56.33	240 - 290x420x350mm (HxWxD)	White Plastic	100kg/220lbs/15st 10lbs	n/a	n/a
AP130522	160	Large White Adjustable Shower Stool	£61.03	425 - 525x420x350mm (HxWxD)	Chrome Plated/ White Plastic	100kg/220lbs/15st 10lbs	n/a	n/a
AP130322	160	Modular Shower Seat	£79.82	425 - 525x420x415mm (HxWxD)	White Plastic	100kg/ 220lbs/ 15st 10lbs	n/a	n/a
AP130422	161	Modular Shower Seat with Arms	£89.21	425 - 525x530x415mm (HxWxD)	White Plastic	100kg/220lbs/15st 10lbs	n/a	n/a
AP503222	161	Padded Backrest	£70.42	135x465x275mm (HxWxD)	Chrome Plated/ White Plastic	70kg/ 154lbs/ 11st	n/a	No
AP502822	162	Foldaway Hand Rail	£103.30	300x100x850mm (HxWxD)	White Powder Coated Stainless Steel	130kg/ 286lbs/ 20st 6lbs	n/a	No
AP502834	162	Foldaway Hand Rail	£103.30	300x100x850mm (HxWxD)	Blue Powder Coated Stainless Steel	130kg/ 286lbs/ 20st 6lbs	n/a	No
AP502831	162	Foldaway Hand Rail	£103.30	300x100x850mm (HxWxD)	Grey Powder Coated Stainless Steel	130kg/ 286lbs/ 20st 6lbs	n/a	No
AP502841	162	Foldaway Hand Rail	£112.69	300x100x850mm (HxWxD)	Polished Stainless Steel	130kg/ 286lbs/ 20st 6lbs	n/a	No
AP502922	162	Foldaway Hand Rail with Drop Down Leg	£112.09	710x100x850mm (HxWxD)	White Powder Coated Stainless Steel	150kg/ 330lbs/ 23st 8lbs	n/a	No
AP502931	162	Foldaway Hand Rail with Drop Down Leg	£112.09	710x100x850mm (HxWxD)	Grey Powder Coated Stainless Steel	150kg/ 330lbs/ 23st 8lbs	n/a	No
AP502941	162	Foldaway Hand Rail with Drop Down Leg	£131.48	710x100x850mm (HxWxD)	Polished Stainless Steel	150kg/ 330lbs/ 23st 8lbs	n/a	No
AP501022	163	300mm Stainless Steel Straight Grab Bars	£19.70	300x82mm (LxW)	White Powder Coated Stainless Steel	100kg/220lbs/15st 10lbs	n/a	No
AP501034	163	300mm Stainless Steel Straight Grab Bars	£19.70	300x82mm (LxW)	Blue Powder Coated Stainless Steel	100kg/220lbs/15st 10lbs	n/a	No
AP501031	163	300mm Stainless Steel Straight Grab Bars	£19.70	300x82mm (LxW)	Grey Powder Coated Stainless Steel	100kg/220lbs/15st 10lbs	n/a	No
AP501041	163	300mm Stainless Steel Straight Grab Bars	£22.52	300x82mm (LxW)	Chrome Plated Stainless Steel	100kg/220lbs/15st 10lbs	n/a	No
AP501122	163	450mm Stainless Steel Straight Grab Bars	£22.06	450x82mm (LxW)	White Powder Coated Stainless Steel	100kg/220lbs/15st 10lbs	n/a	No
AP501134	163	450mm Stainless Steel Straight Grab Bars	£22.06	450x82mm (LxW)	Blue Powder Coated Stainless Steel	100kg/220lbs/15st 10lbs	n/a	No
AP501131	163	450mm Stainless Steel Straight Grab Bars	£22.06	450x82mm (LxW)	Grey Powder Coated Stainless Steel	100kg/220lbs/15st 10lbs	n/a	No
AP501141	163	450mm Stainless Steel Straight Grab Bars	£24.56	450x82mm (LxW)	Chrome Plated Stainless Steel	100kg/220lbs/15st 10lbs	n/a	No
AP501222	164	600mm Stainless Steel Straight Grab Bars	£24.40	600x82mm (LxW)	White Powder Coated Stainless Steel	100kg/220lbs/15st 10lbs	n/a	No
AP501234	164	600mm Stainless Steel Straight Grab Bars	£24.40	600x82mm (LxW)	Blue Powder Coated Stainless Steel	100kg/220lbs/15st 10lbs	n/a	No

## QUICK REFERENCE SUMMARY PAGES – INCLUSIVE PRODUCTS

CODE	PAGE NO.	PRODUCT NAME	PRICE	DIMENSIONS	MATERIAL	WEIGHT ALLOWANCE	CONCEALED FIXINGS	FIXINGS INCLUDED
AP501231	165	600mm Stainless Steel Straight Grab Bars	£24.40	600x82mm (LxW)	Grey Powder Coated Stainless Steel	100kg/220lbs/15st 10lbs	n/a	No
AP501241	165	600mm Stainless Steel Straight Grab Bars	£27.22	600x82mm (LxW)	Chrome Plated Stainless Steel	100kg/220lbs/15st 10lbs	n/a	No
AP500541	165	300mm Stainless Steel Grab Bar with Anti-Slip Grip	£25.34	300x82mm (LxW)	Polished/Knurled Stainless Steel	100kg/220lbs/15st 10lbs	n/a	No
AP500741	165	600mm Stainless Steel Grab Bar with Anti-Slip Grip	£30.04	600x82mm (LxW)	Polished/Knurled Stainless Steel	100kg/220lbs/15st 10lbs	n/a	No
AP501322	165	645mm Stainless Steel Angled Grab Bars	£30.04	600x82mm (LxW)	White Powder Coated	100kg/220lbs/15st 10lbs	n/a	No
AP501341	165	645mm Stainless Steel Angled Grab Bars	£32.86	600x82mm (LxW)	Chrome Plated Stainless Steel	100kg/220lbs/15st 10lbs	n/a	No
AP506205	166	450mm Stainless Steel Grab Bar	£28.75	450x82mm (LxW)	Chrome Plated Stainless Steel	100kg/220lbs/15st 10lbs	n/a	No
AP506305	166	600mm Stainless Steel Grab Bar	£30.83	600x82mm (LxW)	Chrome Plated Stainless Steel	100kg/220lbs/15st 10lbs	n/a	No
AP506405	167	Stainless Steel Angled Grab Bars	£33.33	600x82mm (LxW)	Chrome Plated Stainless Steel	100kg/220lbs/15st 10lbs	n/a	No
AP506105	167	300mm Stainless Steel Grab Bar	£26.67	300x82mm (LxW)	Chrome Plated Stainless Steel	100kg/220lbs/15st 10lbs	n/a	No
AP530641	168	485mm Grab 'n' Grip Straight Grab Bar	£42.24	485x73mm (LxW)	Chrome ABS	100kg/220lbs/15st 10lbs	n/a	No
AP530741	168	680mm Grab 'n' Grip Straight Grab Bar	£51.64	680x73mm (LxW)	Chrome ABS	100kg/220lbs/15st 10lbs	n/a	No
AP530841	169	890mm Grab 'n' Grip Straight Grab Bar	£93.91	890x73mm (LxW)	Chrome ABS	100kg/220lbs/15st 10lbs	n/a	No
AP530941	169	Grab 'n' Grip Angled Grab Bar	£93.91	310x905x73mm (LxW)	Chrome ABS	100kg/220lbs/15st 10lbs	n/a	No
AP531041	170	Grab 'n' Grip L-Shaped Grab Bar	£93.91	480x480x73mm (LxW)	Chrome ABS	100kg/220lbs/15st 10lbs	n/a	No
AP530541	170	380mm Grab 'n' Grip Straight Grab Bar	£32.86	380x73mm (LxW)	Chrome ABS	100kg/220lbs/15st 10lbs	n/a	No
AP501422	171	300mm ABS Grab Bar	£9.38	300x82mm (LxW)	White ABS	100kg/220lbs/15st 10lbs	n/a	No
AP501434	171	300mm ABS Grab Bar	£9.38	300x82mm (LxW)	Blue ABS	100kg/220lbs/15st 10lbs	n/a	No
AP501431	171	300mm ABS Grab Bar	£9.38	300x82mm (LxW)	Grey ABS	100kg/220lbs/15st 10lbs	n/a	No
AP501722	171	450mm ABS Grab Bar	£11.72	450x82mm (LxW)	White ABS	100kg/220lbs/15st 10lbs	n/a	No
AP501734	171	450mm ABS Grab Bar	£11.72	450x82mm (LxW)	Blue ABS	100kg/220lbs/15st 10lbs	n/a	No
AP501731	171	450mm ABS Grab Bar	£11.72	450x82mm (LxW)	Grey ABS	100kg/220lbs/15st 10lbs	n/a	No
AP501822	172	600mm ABS Grab Bar	£14.07	600x82mm (LxW)	White ABS	80kg/ 176lbs/ 12st 8lbs	n/a	No
AP501834	172	600mm ABS Grab Bar	£14.07	600x82mm (LxW)	Blue ABS	80kg/ 176lbs/ 12st 8lbs	n/a	No
AP501831	172	600mm ABS Grab Bar	£14.07	600x82mm (LxW)	Grey ABS	80kg/ 176lbs/ 12st 8lbs	n/a	No
AM151341	173	Assistive Four Function Shower Handset - Eco	£23.47	85x248mm (LxW)	Chrome/White	n/a	n/a	n/a
AP600241	173	Inclusive Showering Kit	£70.42	600x63.50mm (LxW)	Stainless Steel	n/a	n/a	n/a
AG181122	174	Small Rubagrip Mat	£7.50	580x340mm (LxW)	White	n/a	n/a	n/a
AG181422	174	Medium Rubagrip Mat	£7.97	740x340mm (LxW)	White	n/a	n/a	n/a
AG182622	174	Large Rubagrip Mat	£10.79	900x370mm (LxW)	White	n/a	n/a	n/a
AG183622	175	White Rubagrip Shower Tray Mat	£9.38	530x530mm (LxW)	White	n/a	n/a	n/a

**QUICK REFERENCE SUMMARY PAGES – PLUMBING, FITTINGS AND HOMEWARES**

CODE	PAGE NO.	PRODUCT NAME	PRICE	DIMENSIONS	MATERIAL	WRAS APPROVED	FIVE YEAR GUARANTEE
FFO40126	179	Cistern Syphon	£8.43	324x22x95.5mm (HxWxD)	Plastic	No	Yes
FFO10126	179	Telescopic Bottom Entry Fill Valve - Plastic shank	£6.56	275-375x90x73mm (HxWxD)	Plastic	Yes	Yes
FFO10226	179	Side Entry Fill Valve - Plastic Shank	£6.09	257x141x54mm (HxWxD)	Plastic	Yes	Yes
FFO10326	180	Telescopic Bottom Entry Fill Valve - Brass Shank	£9.37	275x90x70mm (HxWxD)	Brass	Yes	Yes
FFO10426	180	Side Entry Fill Valve - Brass Shank	£8.90	257x137x54mm (HxWxD)	Brass	Yes	Yes
FFO20226	180	Universal Flush Valve Top Mount Button	£13.13	286x123x80mm (HxWxD)	Plastic	Yes	Yes
FFO20126	181	Universal Flush Valve Button Cable	£12.19	255x110x78mm (HxWxD)	Plastic	Yes	Yes
FFO20326	181	Universal Flush Valve Lever Cable	£13.13	255x110x75mm (HxWxD)	Plastic	Yes	Yes
FFO30126	182	Universal Flush & Fill Valve Button Cable Kit	£24.40	275-375x90x73mm (HxWxD) (FFO10326) 255x110x78mm (HxWxD) (FFO20126)	Plastic/Brass (FFO10326) Plastic (FFO20126)	Yes	Yes
FFO30226	183	Universal Flush & Fill Valve Lever Cable Kit	£25.34	275-375x90x73mm (HxWxD) (FFO10326) 255x114.35x84mm (HxWxD) (FFO20326)	Plastic (FFO10326) Plastic/Brass (FFO20326)	Yes	Yes
FFO50100	183	Universal Flush Valve Fixing Kit	£6.56	see individual drawings	n/a	n/a	No
FFO50202	184	Fill Valve Brass 1/2" to 2/2" Converter	£2.80	26x25mm (HxW)	Brass	n/a	No
FFO20526	185	Universal Flush Valve Lever 600mm Cable Kit	£16.88	255x114.35x84mm (HxWxD)	Plastic	Yes	Yes
FFO20426	185	Universal Flush Valve Button 600mm Cable Kit	£15.94	290x110x75mm (HxWxD)	Plastic/ Brass	Yes	Yes
DG4-00441	186	Standard Bath Plug Converta	£12.19	48x83mm (HxW)	Chrome Plated ABS	n/a	No
DG4-00241	186	Pop up Bath Plug Converta	£12.19	80x83mm (HxW)	Chrome Plated ABS	n/a	No
DG4-00341	186	Standard Basin Plug Converta	£8.43	48x64mm (HxW)	Chrome Plated ABS	n/a	No
DG4-00141	187	Pop up Bath Plug Converta	£8.43	75x64mm (HxW)	Chrome Plated ABS	n/a	No
QA103041	187	Britannia Small Round Magnifying Mirror	£15.96	258.5x209x30mm (HxWxD)	Mirror Glass	n/a	No
QA108641	187	Britannia Retractable Clothing Line	£15.96	92x92x50mm (HxWxD)	Stainless Steel	n/a	No
QM588541	188	Britannia Wall Mounted Bottle Opener	£6.57	60x48x25mm (HxWxD)	Stainless Steel	n/a	No
AJ657241	188	3 Litre Pedal Bin with Soft Close	£16.88	250x170x220mm (HxWxD)	Stainless Steel/ Chrome	n/a	No
AJ657341	188	5 Litre Pedal Bin with Soft Close	£20.65	280x205x260mm (HxWxD)	Stainless Steel/ Chrome	n/a	No
QM102005	189	Britannia Toilet Brush	£25.34	405x95x95mm (HxWxD)	Stainless Steel	n/a	No
PA660522	189	Euro Dispenser Uno White	£14.07	200x80x80mm (HxWxD)	White Plastic	n/a	No
PA660841	189	Euro Dispenser Uno Chrome	£17.83	200x80x80mm (HxWxD)	Chrome Plated Plastic	n/a	No
PA660622	190	Euro Dispenser Duo White	£16.88	200x130x80mm (HxWxD)	White Plastic	n/a	No
PA660941	190	Euro Dispenser Duo Chrome	£22.52	200x130x80mm (HxWxD)	Chrome Plated Plastic	n/a	No
PA660722	190	Euro Dispenser Trio White	£21.58	230x180x100mm (HxWxD)	Chrome Plated Plastic	n/a	No
PA661041	191	Euro Dispenser Trio Chrome	£27.22	230x180x100mm (HxWxD)	Chrome Plated Plastic	n/a	No

# Terms and conditions

## CROYDEX CONDITIONS OF SALE

These Conditions of Sale are applicable to the United Kingdom

These Conditions of Sale ("Conditions") govern all sales of goods (including any sales of spares) by Croydex a division of Norcros Group (Holdings) Limited, a company registered in England and Wales and whose registered office is situated at Ladyfield House, Station Road, Wilmslow, Cheshire SK9 1BU ("Croydex"), to you, the Buyer named on the Order. These Conditions shall govern the sale to the exclusion of all other terms or conditions and no conduct by Croydex shall constitute acceptance of any other terms or conditions. No variation of these conditions will bind unless it is made in writing and signed by a director of Croydex.

### 1 Basis of Sale

- 1.1 Croydex shall sell and the Buyer shall purchase the Goods as described in and in accordance with any Order signed by the Buyer, which is accepted by Croydex subject to these Conditions. For the purposes of these Conditions an "Order" shall be a written instruction to supply the Goods, which shall incorporate these Conditions and a "Contract" shall mean the Order and Croydex's acceptance of the Order.
- 1.2 Any estimates issued to the Buyer by Croydex may be withdrawn or varied at any time and unless otherwise specified shall be automatically withdrawn after 60 days. No binding contract shall in any event arise until the Buyer's signed Order has been accepted by Croydex and confirmed in writing by Croydex's authorised representative.
- 1.3 For the avoidance of doubt, if there is any conflict between any special terms and conditions agreed between Croydex and the Buyer in relation to the Contract and the terms and conditions set out in these Conditions, the special terms shall prevail.
- 1.4 Croydex's employees or agents are not authorised to make any representations concerning the Goods unless confirmed by Croydex in writing. 1.5 Any advice or recommendation given by Croydex or its employees or agents to the Buyer or its employees or agents as to the storage, application or use of the Goods which is not confirmed in writing by Croydex is followed or acted upon entirely at the Buyer's own risk, and accordingly, Croydex shall not be liable for any such advice or recommendation which is not so confirmed.
- 1.6 Any illustrations or descriptive material and other information contained in Croydex's brochures, advertising materials or elsewhere shall not form part of the Contract and shall be treated as approximate and for guidance only unless specifically stated otherwise. Croydex may at its discretion from time to time vary the design of the Goods from that advertised without notice to the Buyer provided that any such variations do not constitute material alterations to the Goods.
- 1.7 If a sample of the Goods has been supplied, exhibited or inspected by the Buyer, the Buyer acknowledges and agrees that such sample was exhibited and inspected solely to enable the Buyer to assess the general quality of the Goods and nothing in these Conditions shall be deemed to confirm that the Goods will correspond to any such sample. Where dimensions of rubber or plastic Goods are set out in any of Croydex's brochures, advertising materials or elsewhere, the Buyer acknowledges and agrees that where such Goods are extruded or moulded, such dimensions may not be exactly reproduced due to the production processes.

### 2 Orders and Specifications

- 2.1 The Buyer shall be responsible to Croydex for ensuring the accuracy of the terms of any Order (including any applicable specification) submitted by the Buyer and for giving Croydex any necessary information relating to the Goods within a sufficient time to enable Croydex to perform the Contract in accordance with its terms.
- 2.2 The quantity, quality and description of, and/or any specification for, the Goods shall be those set out in the estimate or Order signed by the Buyer and accepted by Croydex.

- 2.3 No Order which has been accepted by Croydex may be cancelled or varied by the Buyer except with the agreement in writing of Croydex and on terms that the Buyer shall indemnify Croydex in full against all loss (including loss of profit) costs (including the costs of all labour and materials used) damage, charges and expenses incurred by Croydex as a result of cancellation.

### 3 Price of the Goods

- 3.1 The price of the Goods shall be Croydex's quoted price or, where no price has been quoted, the price listed in Croydex's price list current at the date of acceptance of the Order.
- 3.2 Croydex reserves the right by giving notice to the Buyer at any time before delivery, to increase the price of the Goods to reflect any change in delivery dates, quantities or specifications for Goods which is requested by the Buyer, to reflect any uplift in the price of raw materials or such other similar reason or any delay caused by instructions of the Buyer or failure of the Buyer to give Croydex accurate information or instructions.
- 3.3 Unless otherwise agreed in writing between the Buyer and Croydex all prices are given by Croydex on an ex works basis and where Croydex agrees to deliver the Goods otherwise than at Croydex's premises, the Buyer shall be liable to pay Croydex's charges for transport, packaging and insurance.
- 3.4 The price is exclusive of any applicable Value Added Tax or any other tax, duty tariff or charge arising in the United Kingdom or elsewhere.
- 3.5 Where delivery is to take place outside of the United Kingdom the price is exclusive of any import duties, local taxes or other local charges which may be in force from time to time.

### 4 Payment Terms

- 4.1 Subject to any special terms in writing between the Buyer and Croydex, Croydex shall be entitled to invoice the Buyer with the price of the Goods (or part thereof) on or at any time after delivery of the Goods, unless the Goods are to be collected by the Buyer or the Buyer wrongfully fails to take delivery of the Goods, in which event Croydex shall be entitled to invoice the Buyer for the price at any time after Croydex has notified the Buyer that the Goods are ready for collection or (as the case may be) Croydex has tendered delivery of the Goods.
- 4.2 Subject to any special terms in writing between the Buyer and Croydex the Buyer shall pay the price of the Goods not later than 30 days after the date of the invoice relating to the Goods. The time of payment shall be of the essence of the Contract. All payments shall be made in full without deduction in respect of any set-off or counterclaim.
- 4.3 If the Buyer fails to make any payment on the due date then without prejudice to any other right or remedy available to Croydex, Croydex shall be entitled to:
- (a) cancel the Contract or suspend any further deliveries to the Buyer;
- (b) appropriate any payment made by the Buyer to such of the Goods (or the goods supplied under any other contract between the Buyer and Croydex) as Croydex may think fit (notwithstanding any purported appropriation by the Buyer); and
- (c) charge the Buyer interest (both before and after any judgment) on the amount unpaid, at the rate of 5 per cent per annum over the base rate for the time being of HSBC Bank plc (such interest being deemed to accrue from day to day and being compounded on the last day of each calendar month) until payment is made. For the avoidance of doubt Croydex reserves the right to claim interest under the Late Payment of Commercial Debts (Interest) Act 1998.
- 4.4 The Buyer shall be solely responsible for any associated bank charges incurred by the Buyer in relation to the purchase of the Goods which for the avoidance of doubt shall include (without limitation) payments made on the basis of a letter of credit or any other similar charges.

### 5 Delivery

- 5.1 Delivery of the Goods shall be made by the Buyer collecting the Goods at Croydex's premises at any time after Croydex

- has notified the Buyer that the Goods are ready for collection or, if some other place for delivery is agreed by Croydex, by Croydex delivering the Goods to that place.
- 5.2 Croydex shall endeavour to deliver the Goods by the date(s) agreed but such date(s) is/are not guaranteed nor shall the time(s) for delivery be of the essence unless previously agreed by Croydex in writing. The date(s) quoted shall be extended by a reasonable period if there is any delay caused by industrial dispute or by any cause beyond the reasonable control of Croydex. Croydex shall under no circumstances be liable to compensate the Buyer in respect of late delivery.
- 5.3 Where the Goods are to be delivered in instalments, each delivery shall constitute a separate contract and failure by Croydex to deliver any one or more of the instalments in accordance with these Conditions or any claim by the Buyer in respect of any one or more instalments shall not entitle the Buyer to treat the Contract as a whole as repudiated.
- 5.4 If the Buyer fails to take delivery of the Goods or fails to give Croydex adequate delivery instructions at the time stated for delivery (otherwise than by reason of any cause beyond the Buyer's reasonable control or due to the fault of Croydex) then without prejudice to any other right or remedy available to Croydex, Croydex may:
- (a) store the Goods until actual delivery and charge the Buyer for the reasonable costs (including insurance) of storage; or
  - (b) sell the Goods at the best price readily obtainable and (after deducting all reasonable storage and selling expenses) account to the Buyer for the excess over the price under the Contract or charge the Buyer for any shortfall below the price under the Contract.
- 6 Risk and Property**
- 6.1 Risk of damage to or loss of the Goods shall pass to the Buyer:
- (a) in the case of the Goods to be delivered at Croydex's premises (by the Buyer collecting the Goods), at the time when Croydex notifies the Buyer that the Goods are available for collection; or
  - (b) in the case of Goods to be delivered otherwise than at Croydex premises, at the time of delivery or, if the Buyer wrongfully fails to take delivery of the Goods, the time when Croydex has tendered delivery of the Goods.
- 6.2 Notwithstanding delivery and the passing of risk in the Goods, or any other provision of these Conditions, the property in the Goods shall not pass to the Buyer until Croydex has received in cash or cleared funds payment in full of the price of the Goods and all other goods agreed to be sold by Croydex to the Buyer for which payment is then due.
- 6.3 Until such time as the property in the Goods passes to the Buyer:
- (a) in the case of Goods to be delivered otherwise than at Croydex's premises the Buyer shall hold the Goods as Croydex's fiduciary agent and bailee;
  - (b) shall keep the Goods separate from those of the Buyer and third parties and properly stored, protected, insured and identified as Croydex's property but the Buyer shall be entitled to resell or use in the ordinary course of its business; and
  - (c) (provided that the Goods are still in existence and have not been resold) Croydex shall be entitled at any time to require the Buyer to deliver up the Goods to Croydex and, if the Buyer fails to do so forthwith, to enter upon any premises of the Buyer or any third party where the Goods are stored and repossess the Goods.
- 6.4 The Buyer shall not be entitled to pledge or in any way charge by way of security for any indebtedness any of the Goods which remain the property of Croydex, but if the Buyer does so all monies owing by the Buyer to Croydex shall (without prejudice to any other right or remedy of Croydex) forthwith become due and payable.
- 7 Notification of Claims**
- 7.1 Any claim for non-delivery of any Goods shall be notified in writing by the Buyer to Croydex within 7 days of the date of Croydex's invoice.
- 7.2 Any claim based on any defect in the quality or condition of the Goods or their failure to correspond with specification shall (whether or not delivery is refused by the Buyer) be notified to Croydex within 3 days from the date of the delivery or (where the defect or failure was not apparent on reasonable inspection) within a reasonable time after discovery of the defect or failure.
- 7.3 If delivery is not refused, and the Buyer does not notify Croydex of any claim in accordance with the provisions of this clause, the Buyer shall not be entitled to reject the Goods and Croydex shall have no liability for such defects or failure, and the Buyer shall be bound to pay the price as if the Goods had been delivered in accordance with the Contract.
- 7.4 Where the Goods are defective and the Buyer has notified Croydex in accordance with Clause 7.2 above, such Goods may be returned to Croydex by prior arrangement and the Buyer shall be entitled to avail itself of the remedies set out in Clause 8.
- 8 Warranties and Liabilities**
- 8.1 Save as otherwise agreed in writing by Croydex from time to time, Croydex does not give to the Buyer any guarantees, conditions or warranties (including in respect of the quality of the Goods or the fitness for their purpose) whether express or implied by statute or common law or otherwise except that this clause shall in no way exclude any warranties, conditions or other terms where the Goods are sold to a person dealing as a consumer (within the meaning of the Unfair Contracts Terms Act 1977).
- 8.2 Croydex will be under no liability:
- (a) in respect of any default in the Goods arising from any drawing, design or specification supplied by the Buyer;
  - (b) in respect of any defect arising from fair wear and tear, wilful damage, negligence, failure to follow Croydex's instructions (whether oral or in writing), misuse, alteration, or repair of the Goods without Croydex's approval;
  - (c) under any other warranty, condition or guarantee if the total price for the Goods has not been paid by the due date for payment.
  - (d) for any defect arising following the installation of any spare, consumable or other part not purchased from Croydex or any defect following any servicing, modification or other work not carried out by Croydex.
- 8.3 Subject as expressly provided in these Conditions all warranties, conditions or other terms implied by statute or common law are excluded to the fullest extent permitted by law.
- 8.4 Where any valid claim in respect of any of the Goods which is based on any defect in the quality or condition of the Goods or their failure to meet specification is notified to Croydex in accordance with these Conditions, Croydex shall, at its sole discretion, replace or repair the Goods (or the part in question) free of charge or refund the price paid for the Goods by the Buyer but Croydex shall have no further liability to the Buyer.
- 8.5 Except in respect of death or personal injury caused by Croydex's negligence, Croydex shall not be liable to the Buyer by reason of any representation (other than fraudulent misrepresentation) or any implied warranty, condition or other term, or any duty at common law, or under the express terms of the Contract for any consequential loss or damage (whether for loss of profit or otherwise), costs, expenses, or other claim for consequential compensation whatsoever (and whether caused by the negligence of Croydex, its employees or agents or otherwise) which arises out of or in connection with the supply of the Goods or their resale by the Buyer, except as expressly provided in these Conditions.
- 8.6 The Buyer shall indemnify Croydex and keep Croydex fully indemnified on demand against any loss of or damage to any property or injury to or death of any person caused by any negligent act or omission or breach of these Conditions by the Buyer, its employees, agents or sub-contractors.
- 9 Force Majeure**
- 9.1 Croydex shall not be liable to the Buyer or be deemed to be in breach of the Contract by reason of any delay in performing, or any failure to perform, any of Croydex's obligations in relation to the Goods, if the delay or failure

# Terms and conditions

- was due to any cause beyond Croydex's reasonable control. Without prejudice to the generality of the foregoing, the following shall be regarded as causes beyond Croydex's reasonable control:
- (a) Act of God, explosion, flood, tempest, fire or accident;
  - (b) strikes, lock-outs or other industrial actions or trade disputes (whether involving employees of Croydex or third parties);
  - (c) war or threat of war, sabotage, insurrection, civil disturbance or requisition;
  - (d) import or export regulations or embargoes;
  - (e) difficulties in obtaining raw materials, labour, fuel, parts or machinery;
  - (f) power failure or breakdown in machinery.
- 10 Indemnity and Intellectual Property Right Ownership**
- 10.1 The Buyer acknowledges that all technical data, drawings, reports and any other information of documents whatsoever (the "Croydex Documentation") which Croydex submits to the Buyer in the course of or prior to the execution of this Contract remains the property of Croydex and the copyright and any other intellectual property rights in the Croydex Documentation remains vested at all times in Croydex. The Buyer further agrees that the Croydex Documentation may not be used except in connection with the operation, maintenance and use of the Goods and may not be disclosed to any third parties.
- 10.2 The Buyer agrees that it will not at any time, without the prior written consent of Croydex, manufacture or have manufactured any goods in imitation of the Goods and it will not at any time dispute or assist any other person to dispute the validity of any intellectual property rights (whether registered or unregistered) in the Goods.
- 10.3 The Buyer shall indemnify and keep Croydex indemnified against all costs, expenses, damages and demands incurred by Croydex in respect of:
- (a) any alleged infringement of the patents, trade marks, copyright, design or other intellectual property rights used by Croydex at the request of the Buyer;
  - (b) any alleged breach or infringement of any statute or regulation concerning the preparation, marketing and distribution of the Goods sold by the Buyer;
  - (c) any alleged breach of any statute relation to trade descriptions or weights and measures where Croydex relies or has relied upon information relating thereto or labels provided by the Buyer, and the breach does not arise from the negligence or default of Croydex;
  - (d) any claims arising and made under the Consumer Protection Act 1987 and which arise by reason of or in connection with a defect in the Goods or in the end product manufactured and/or supplied by the Buyer in which the Goods are comprised, which defect is attributable either to the compliance by Croydex with the instructions given by the Buyer or to the Buyer's design of the end product.
- 10.4 The Buyer shall not without the prior written consent of Croydex:
- (a) alter or make any addition to the labelling or packaging of the Goods displaying trade marks of Croydex or other intellectual property rights belonging to Croydex;
  - (b) alter, deface or remove in any manner any reference to trade marks of Croydex, any reference to Croydex or any other name attached or affixed to the Goods or their packaging or labelling;
  - (c) use any trade marks of Croydex or any other intellectual property rights provided on packaging or labelling of the Goods in any other way other than in respect of onward sales of the Goods;
  - (d) use any trade marks or images confusingly similar to the trade marks or intellectual property rights supplied on packaging or labelling on the Goods;
  - (e) use trade marks supplied on the Goods' packaging or labelling or any word confusingly similar to any of the same as, or as part of, its corporate or trading name;
  - (f) apply for or obtain registration of any of the trade marks used on or supplied on the packaging or labelling of the Goods (or any trade or service mark which comprises of such trade marks or any confusingly similar word or words or logo) for any goods or services in any country; do or omit to do anything which may diminish or devalue: the reputation, image or prestige of; or Croydex's rights in or to; or impair any registration of any of the trade marks or intellectual property rights used on or supplied with the Goods.
- 10.5 The Buyer shall promptly give notice in writing to Croydex if it becomes aware that there is any infringement or suspected infringement of the trade marks or other intellectual property rights supplied or used on the packaging or labelling and in instances where the disposal of the Goods infringes the rights of any third party. In the case of any matter falling within clause 10.5 above:
- (a) Croydex shall in its absolute discretion determine what action if any shall be taken;
  - (b) Croydex shall have sole control over and shall conduct any action as it shall deem necessary in pursuance of clause 10.6 (a);
  - (c) the Buyer shall have no right to make any demands or bring any claim, effect any settlements or take any other action in respect of any infringement or suspected infringement without Croydex's prior consent (in writing and signed by a duly authorised representative); and Croydex shall pay all costs in connection with any such action and shall be entitled to all damages and other sums which may be paid or awarded as a result of any such action.
- 11 Insolvency of Buyer**
- 11.1 If:
- (a) the Buyer makes any voluntary agreement with its creditors or becomes subject to an administration order or (being an individual or firm) becomes bankrupt or (being a company) goes into liquidation (otherwise than for the purposes of a solvent amalgamation or reconstruction);
  - (b) an encumbrancer takes possession, or a receiver is appointed, over any of the property or any assets of the Buyer;
  - (c) the Buyer ceases, or threatens to cease, to carry on business;
  - (d) Croydex reasonably apprehends that any of the events mentioned above is about to occur in relation to the Buyer and notifies the Buyer accordingly; or
  - (e) the Buyer is in material breach of these Conditions and has failed to remedy such breach (in the case of a breach capable of being remedied) within 30 days of receiving a notice requiring it to do so, Croydex shall be entitled to cancel the Contract or suspend any further deliveries under the Contract or provision of installation services without liability to the Buyer, and if the Goods have been delivered but not paid for the price shall become immediately due and payable notwithstanding any previous agreement or arrangement to the contrary.
- 12 Confidentiality**
- 12.1 Each party shall treat as confidential all information obtained from the other under this Contract and shall not divulge such information to any person (except to such party's own employees and then only to those employees who need to know the same) without the other party's prior written consent provided that this clause shall not extend to information which was rightfully in the possession of such party prior to the commencement of the negotiations leading to this Contract, which is already public knowledge or becomes so at a future date (otherwise than as a result of a breach of this clause) or which becomes known to such party from a source other than the other party to this Contract. Each party shall ensure that its employees are aware of and comply with the provisions of this clause. If Croydex shall appoint any sub-contractor then Croydex may disclose confidential information to such sub-contractor subject to such sub-contractor giving the Buyer an undertaking in similar terms to the provisions of this clause. The foregoing obligations as to confidentiality shall survive any termination of this Contract.



**13 General**

- 13.1 Any notice to either party under these Conditions shall be in writing by or on behalf of the party giving it and shall, unless delivered to a party personally, be left at or sent by prepaid first class post, prepaid recorded delivery, telex, facsimile or email to the address of the party as notified in writing from time to time.
- 13.2 (a) Either party may, in whole or in part, compound, waive or postpone, in its absolute discretion, any liability owed to it or right granted to it under the Contract by the other party without in any way prejudicing its rights in respect of any other liability or right so released, compounded, compromised, waived or postponed.
- (b) No single or partial exercise or failure or delay in exercising any right, power or remedy by either party shall constitute a waiver by that party of, or impair or preclude any further exercise of that or any right, power or remedy arising under the Contract or otherwise.
- 13.3 To the extent that any provision of these Conditions is found by any court or competent authority to be invalid, unlawful or unenforceable in any jurisdiction, that provision shall be deemed not to be a part of these Conditions, it shall not affect the enforceability of the remainder of these Conditions nor shall it affect the validity, lawfulness or enforceability of that provision in any other jurisdiction.
- 13.4 Any reference in these Conditions to any provision of a statute shall be construed to that provision as amended, re-enacted or extended at the relevant time.
- 13.5 The headings in these Conditions are for convenience only and shall not affect their interpretation.
- 13.6 For the purposes of section 1(2) of the Contracts (Rights of Third Parties) Act 1999 the parties state that they do not intend any term of these Conditions to be enforced by third parties but any third party right which exists independently of that Act is preserved.

**14 Governing law and jurisdiction**

- 14.1 These Conditions shall be governed by and construed in accordance with English law.
- 14 2 Each of the parties irrevocably submits for all purposes in connection with these Conditions to the exclusive jurisdiction of the courts of England.

"Any illustrations or descriptive material and other information contained in Croydex's brochures, advertising materials or elsewhere shall not form part of the Contract and shall be treated as approximate and for guidance only unless specifically stated otherwise. Croydex may at its discretion from time to time vary the design of the Goods from that advertised without notice to the Buyer provided that any such variations do not constitute material alterations to the Goods."

**Conditions of Sale**

This price list supercedes all previous editions. Applicable to U.K. sales only. For sales outside the U.K. please see the relevant price lists.

**Carriage Paid Terms**

Area	NET minimum order value (Excl. VAT)	Carriage surcharge (Excl. VAT)	Standard delivery lead times
UK mainland	£100.00	£6.00	2 working days
Scottish Highlands (Customers with the following postcodes: IV, KW1 to KW14, PA34, PA37 to PA39, PH19 to PH26, PH30 to PH41, PH49 to PH50.)	£250.00	£25.00	3 working days
Channel Islands	£250.00	£25.00	3 working days
Northern Ireland	£250.00	£25.00	3 working days
Republic of Ireland	€250.00	€25.00	5 working days

- \* A carriage surcharge will be applied to all orders below the NET minimum order value.
- \*\* For pricing on priority delivery service please contact our customer services team on 01264 365881.

